

INSTRUCTIONS & PARTS LIST

TRASH PUMP Model RTP3

SAFETY PRECAUTIONS

1. Before starting the pump, study all of the instructions in this booklet. Make sure you thoroughly understand how to operate the machine. Proper preparation, operation and maintenance will result in operator safety, optimum performance and long unit life.
2. Be sure each person who operates the machine is properly instructed as to its safe operation.
3. This pump is designed for pumping water. It may be used for pumping other liquids of non-hazardous type, but under no circumstances should it be used for pumping hazardous material.
4. Always keep the machine and associated equipment clean, properly serviced and maintained.
5. Observe all safety regulations for the safe handling of fuel. Handle fuel in safety containers. Do not re-fill engine while it is running or hot. Carefully clean up any spilled fuel before starting.
6. Never operate the machine in an explosive atmosphere, near combustible materials or where ventilation is not sufficient to carry away the exhaust fumes.
7. Always be sure that the machine is on secure footing and cannot shift around and injure someone. Remember that the suction hose on a pump tends to pull the pump down when it is filled with water.
8. Keep the immediate working area free from all bystanders.
9. When starting the machine, be sure that nothing is in a position to be hit by the operator's hand or arm.
10. Avoid contacting the hot exhaust manifold, muffler or cylinder. Keep clear of all rotating parts.
11. Before working on any part of the machine, shut off the engine and disconnect the spark plug wire to prevent accidental starting.

SPECIAL INSTRUCTIONS

These instructions are for HOMELITE® 3-inch Trash Pumps. The operator also must read the Operator's Manual for HOMELITE® PUMPS to familiarize himself with general pump instructions, maintenance, and troubleshooting procedures. The engine booklet covers engine operation and maintenance. Both manuals are packed with the unit. Read them thoroughly before operating the pump.

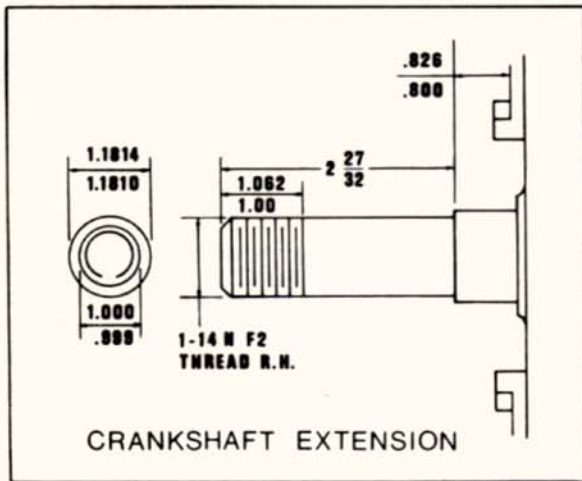
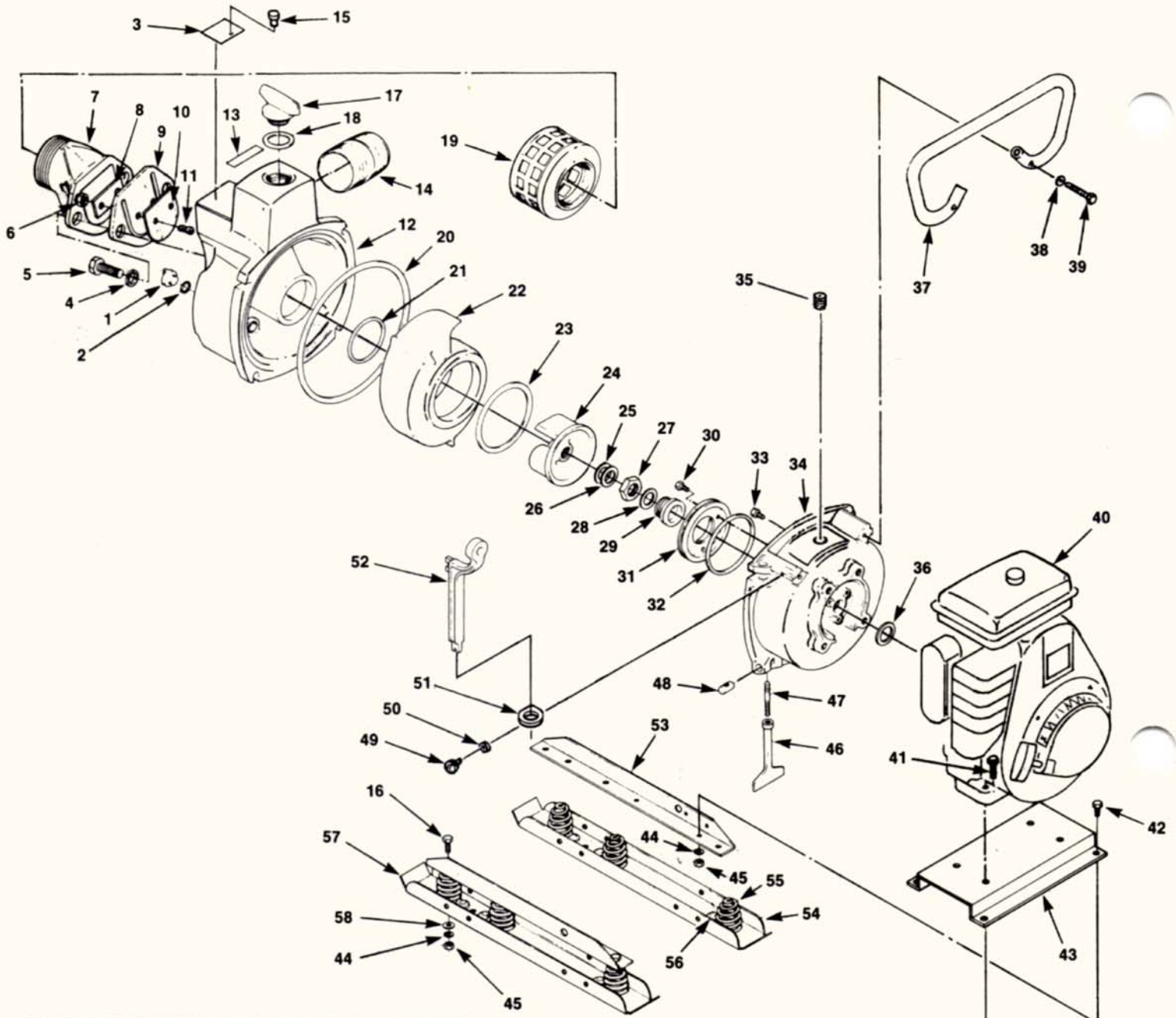
CAUTION: Fill pump with water before using: Without water the pump will not prime, and damage to the seals may result.

UNCRATING THE PUMP

Look carefully for shipping damage. If any sort of damage is detected, notify your dealer or shipper. Remove all shipping blocks and clamps. The unit is engine-driven, and it is very important that it be free to float on its springs.

HOMELITE
TEXTRON

Homelite Division of Textron Inc.



Parts List

NO.	DESCRIPTION	PART NO.	QTY.	NO	DESCRIPTION	PART NO.	QTY.
1	PLUG- Drain Includes:	A-43896	1	30	SCREW- Hex hd. 1/4-20 x 5/8"	80402	3
2	GASKET HOUSING- End Includes:	59910 A-43404-A	1 1	31	PLATE- Wear	51456-2	1
3	DECAL- Plate	54661	1	32	"O" RING	62772	1
4	WASHER- Lock 1/2"	83020	2	33	SCREW- Hex hd. 3/8-16 x 1 1/4"	80771-B	4
5	SCREW- 1/2-13 x 1 1/4"	80272	2	34	BODY- Pump Includes:	A-47651	1
6	NUT- Hex 10-32	81111	2	35	SCREW	82381	1
7	FITTING- Suction std. thread	62657-6	1	36	SLINGER	62688	1
8	PLATE- Small	62669	1	37	HANDLE- Carrying	49603-1	1
9	VALVE	62667	1	38	WASHER- Flat 3/8	84010	2
10	PLATE- Large	62668	1	39	SCREW- Hex hd. 3/8-16 x 1 3/4"	80098	2
11	SCREW- 10-32 x 1/2"	80032	2	40	ENGINE Includes:	A-49564-S	1
12	HOUSING- End	51457-2A	1		DECAL- Low engine	49389	1
13	DECAL	62315	1	41	SCREW- Hex hd. 5/16-18 x 1 3/4"	80288	4
14	NIPPLE	54289-1	1	42	SCREW- Hex hd. 5/16-18 x 3/4"	80695	4
15	TACK- Metal	49266	4	43	BRACKET- Pump engine	42121-1A	1
16	SCREW- Hex hd. 5/16-18 x 1"	80085	6	44	WASHER	83002	14
17	PLUG- Wing Includes:	A-43971	1	45	NUT- Hex 5/16-18	81162	14
18	GASKET- Wing nut plug	18108	1	46	HANDLE- Disconnect	54866-2	4
19	STRAINER (1" openings)	74454-A	1	47	STUD- Handle	54398	4
20	GASKET- Pump body large	62367	1	48	PIVOT- Handle	54397	4
21	GASKET- End plate small	62363-A	1	49	SCREW- Hex hd. 1/4-20 x 3/8"	80179	1
22	HOUSING- Impeller	51458-2	1	50	WASHER- Flat 1.4"	84020	1
23	GASKET- Impeller housing	62665-A	1	51	BRACKET- Spanner wrench	62450-1	1
24	IMPELLER	62655-2	1	52	WRENCH- Spanner	20024-B	1
25	SHIM (.032") impeller	62677	A/R	53	ANGLE- Base (right)	62662-2A	1
26	SHIM (.015") impeller	62676	A/R	54	SKID Includes:	A-62917	2
27	NUT- Impeller	62716	1		SPRING- Foot	25407	3
28	SHIM- (.010") seal spring pressure	62675	A/R	56	RIVET	85025	3
29	SEAL ASSEMBLY- Pump	62713-1	1	57	ANGLE- Base (left)	62661-2A	
				58	WASHER- Flat 5/16	84046	6

ACCESSORIES

SEAL FOR SOLVENTS	62713-2
PAINT- Spray can, red, 12 oz. can	23475
SEAL- Shaft- Tungsten	47476
SEAL- Shaft- Sealide	47497
OVERHAUL KIT	A-48377
Includes	
WING PLUG GASKET	18108
WASHER	62666
GASKET	59910
GASKET	62363-A
GASKET	62367
GASKET	62665-A
SLINGER	62688
SEAL	62713-1
"O" RING	62772
NIPPLE	74676-1
DECAL- Fill pump	62315

DISASSEMBLY FOR CLEAN-OUT AND INSPECTION

IMPELLER & SEAL SERVICE

A loss of pumping pressure indicates wear of the impeller, seal, or gaskets. To disassemble the unit for inspection and/or cleaning, unscrew the four quick release handles, swing them aside, and remove the end housing and impeller housing.

Examine all gaskets for wear or damage that would cause leaks. Replace any faulty gaskets.

Unless the impeller is damaged or completely worn out, pumping efficiency can usually be restored by adding spacer shims. See spacing instructions below. If it is necessary to remove the impeller, use a leather mallet or a block of wood and a hammer and tap sharply in a counterclockwise direction. Avoid cracking the casting—**NEVER USE A HAMMER DIRECTLY ON THE IMPELLER.**

To replace a damaged seal assembly, remove the impeller, shims, and impeller nut. The seal assembly can be pried out of the pump body with a small screwdriver and discarded. When installing a new seal, oil the pump body recess and seal assembly lightly, and slide the assembly into position. Follow the spacing instructions outlined below.

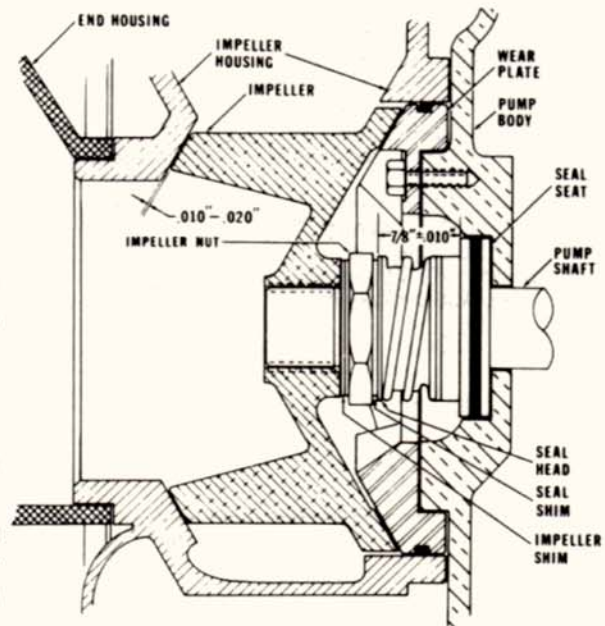
1788

SEAL AND IMPELLER SPACING INSTRUCTIONS

1. Install the seal shims and thread the nut onto the shaft as far as it will go, hand tight.
2. Measure the distance between the seal head and seat as shown. Add or subtract shims as necessary to obtain a dimension of $\frac{7}{8}$ " ($\pm .010$ "), to correctly set spring pressure. Tighten the nut to 50 foot pounds torque.
3. Place impeller shims against the nut and thread on the impeller. Add or subtract shims until the impeller just strikes the impeller housing when the housing is held in place. Remove one .015" shim to set correct impeller clearance. Complete reassembly of the unit.

TURN THE ENGINE OVER BY HAND AND LISTEN FOR SCRAPING NOISES BEFORE RUNNING THE UNIT.

If scraping noises are heard, additional shims will have to be removed to obtain proper impeller housing to impeller clearance. Remove one .015" impeller shim, reassemble and check that there is no scraping noise.



CAUTION . . . THIS UNIT IS DESIGNED TO PUMP WATER AND OTHER NON-HAZARDOUS LIQUIDS ONLY. NEVER PUMP COMBUSTIBLE MATERIAL WITH THIS UNIT.

HOMELITE **TEXTRON**

Homelite Division of Textron Inc.