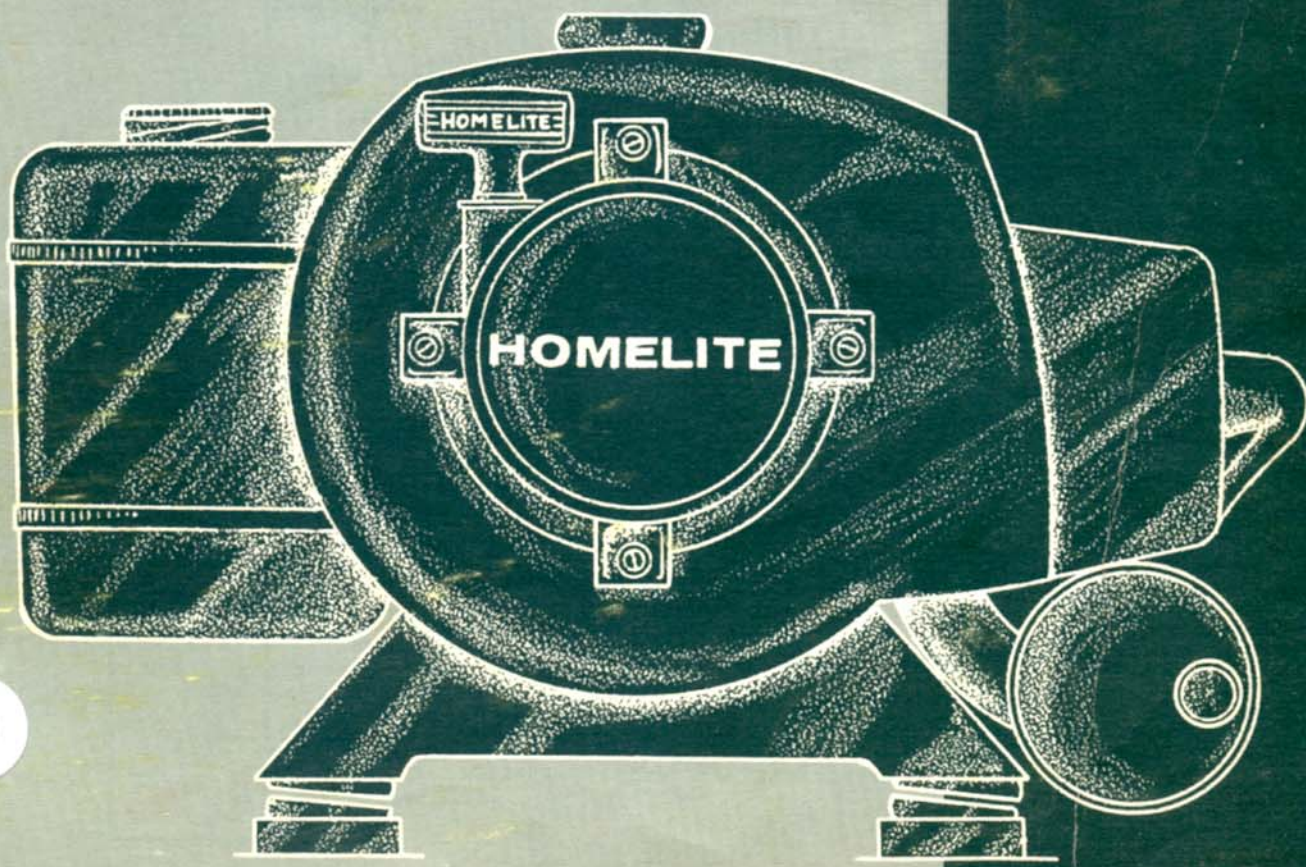


PARTS LIST

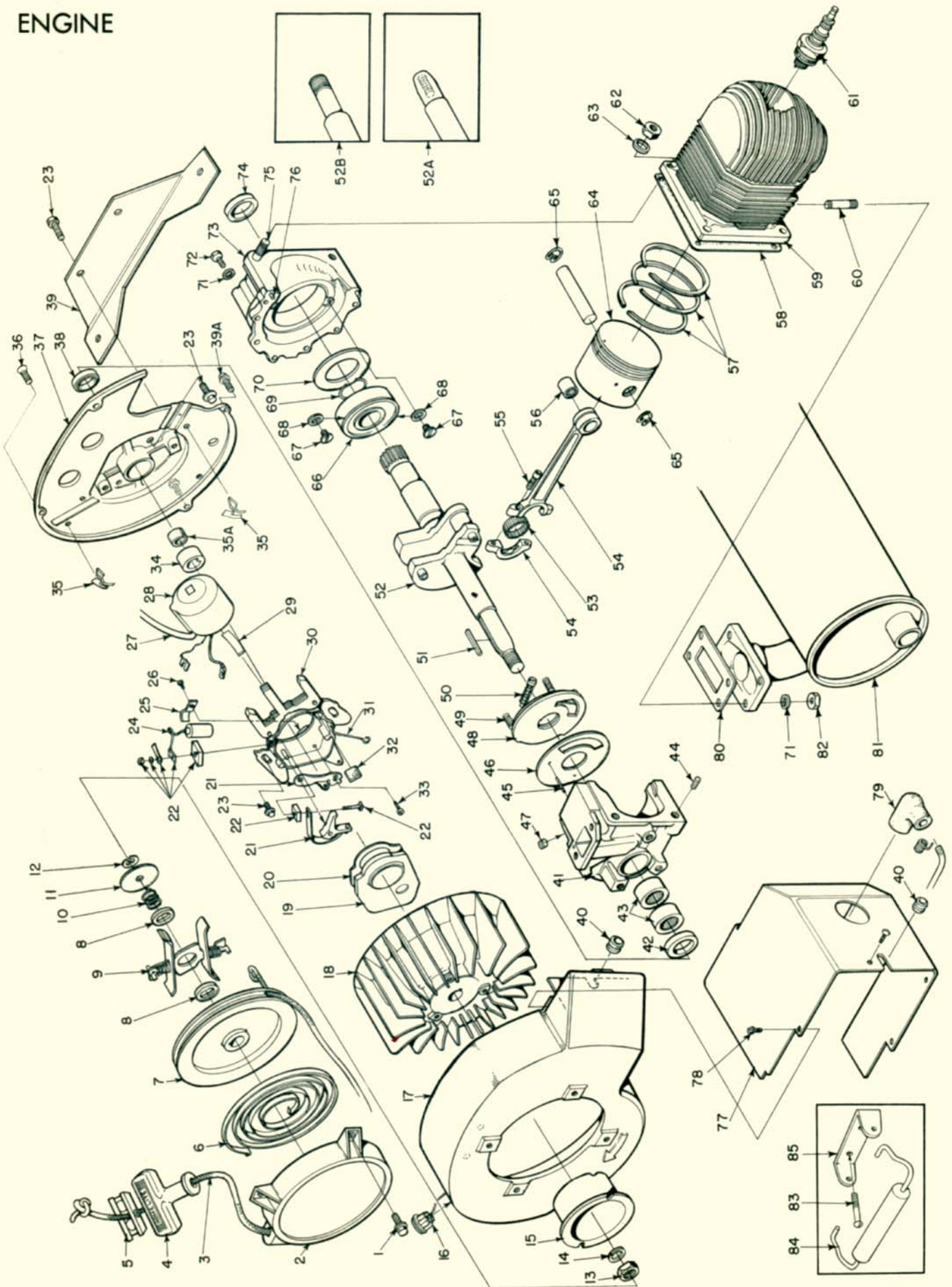
HOMELITE®

250

2 CYCLE ENGINE



ENGINE



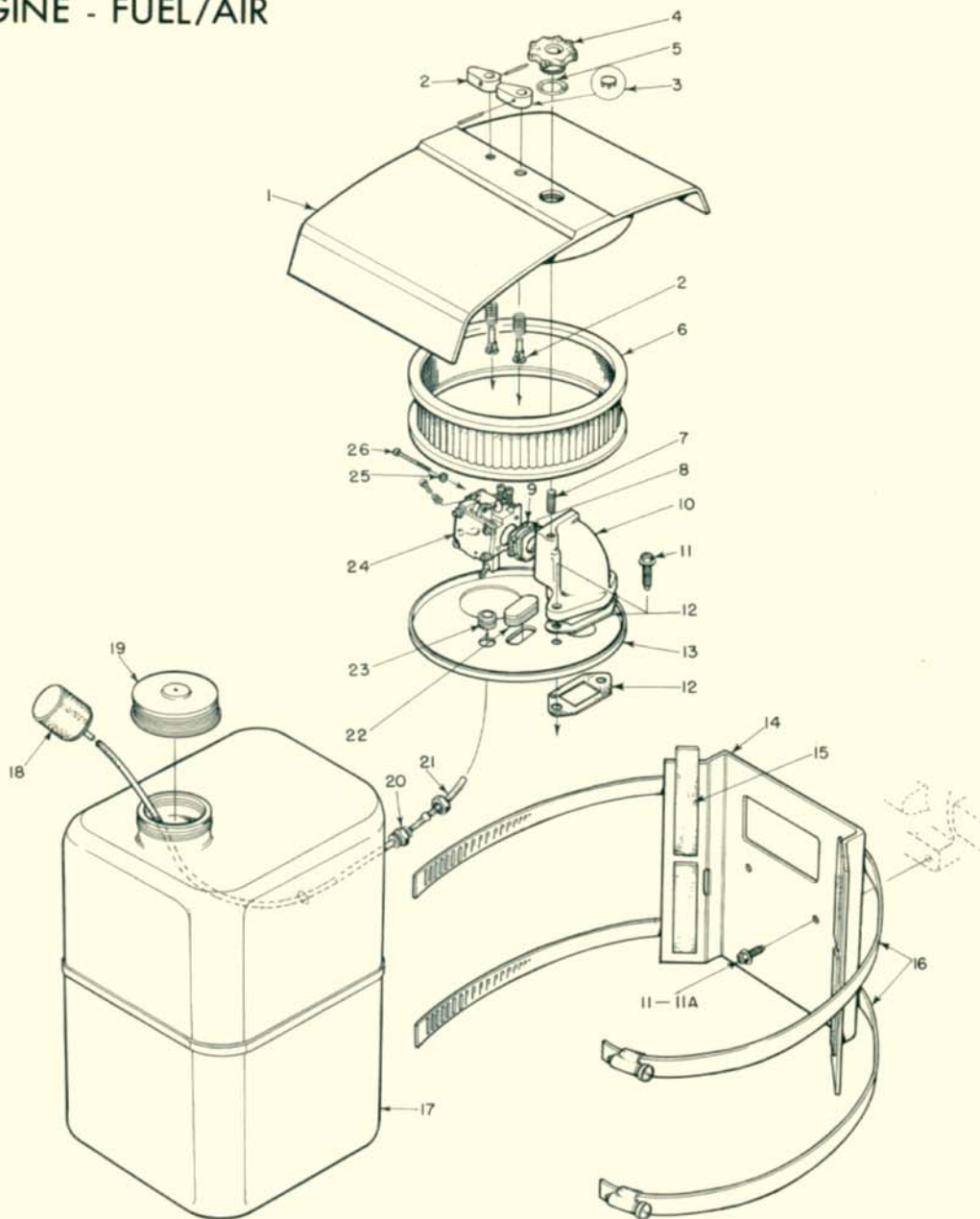
ALWAYS FURNISH MODEL AND SERIAL NUMBER WHEN ORDERING PARTS.

**SEE SERVICE MEMO ON PAGE 13
FOR UPDATED PARTS INFORMATION**

**HOMELITE
2-CYCLE ENGINE
MODEL 250**

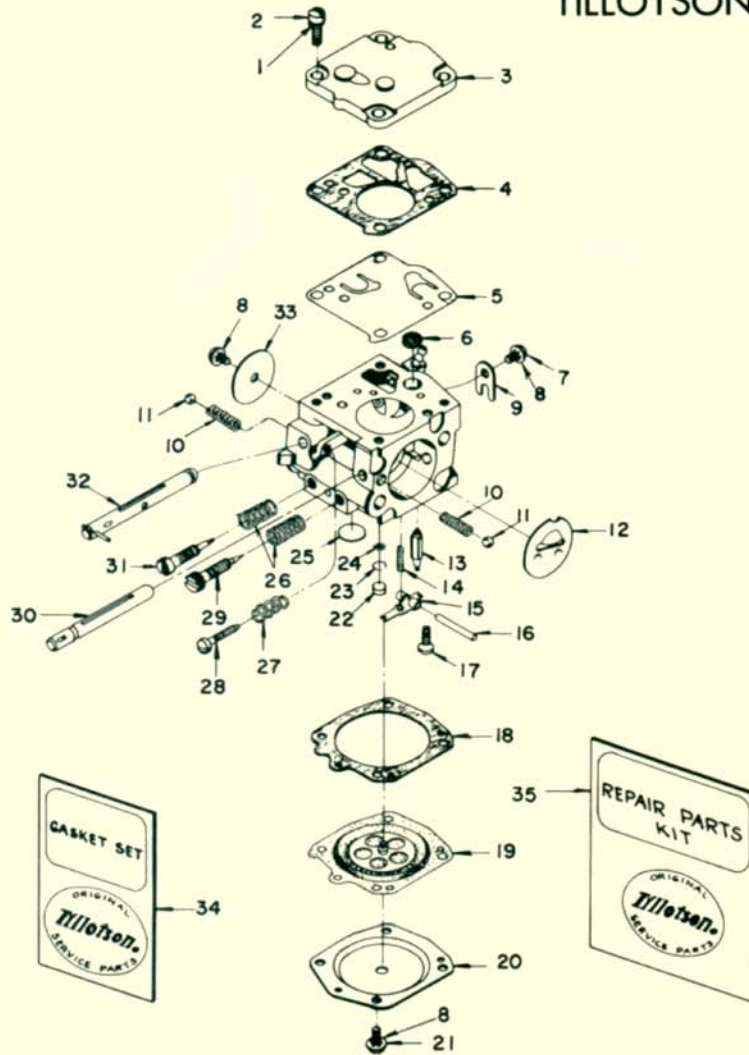
No.	Description	Part No.	Qty.	No.	Description	Part No.	Qty.
1	SCREW, hex hd., Spinlok slotted	80681	5	48	GOVERNOR ASSEMBLY	A-54517	1
2	COVER & BUSHING ASSEMBLY	54591	1		Includes:		
3	CORD, starting	55898	1	49	SPRING, governor	A-33283-A	1
4	GRIP, starting cord	55937	1	50	SCREW	62210	1
5	INSERT, starting cord grip	58517	1	51	KEY, rotor	76412	1
6	SPRING, rewind	54371	1	52	CRANKSHAFT, diaphragm pump (as shown)	A-54522-2	1
7	PULLEY, starter	54370	1	52A	CRANKSHAFT - generators (see inset)	A-54522	
8	WASHER, fibre	58970	2	52B	CRANKSHAFT - blower and centrifugal pumps (see inset)	A-54522-1	
9	FRICITION SHOE ASSEMBLY	A-57647	1	53	ROLLERS (set of 31 rollers)	A-64678	1
10	SPRING, brake	54369	1	54	CONNECTING ROD ASSEMBLY	A-74552-B	1
11	WASHER, brake retainer	76436	1		Includes:		
12	RING, brake retainer	90618	1	55	SCREW, socket hd.	58095	2
13	NUT, 7/16-20	81110	1	56	BEARING, needle	71167-S	1
14	WASHER, lock, 7/16"	83100	1	57	RING, piston	54512	3
15	CUP, starter	56441	1	58	GASKET, cylinder	74139	1
16	SWITCH ASSEMBLY, stop Includes:	A-54670	1	59	CYLINDER ASSEMBLY	A-54715	1
	WASHER, lock #4, internal	83104	1		Includes:		
17	HOUSING, fan	54588-4	1		INSERT, heli-coil (in spark plug hole)	72122	1
18	ROTOR, magneto	54746-1	1	60	STUD, 1/4 x 28	71304	4
19	COVER, breaker box	76418	1	61	SPARK PLUG, Champion J6J	40190-S	1
20	GASKET, cover	76417	1		SPARK PLUG, Champion UJ-12 250 DP3-1 only	62032-S	
21	BREAKER POINT SET	76420	1	62	NUT, hex, 5/16 -24	25412	4
22	TERMINAL CONNECTION UNIT	76415	1	63	WASHER, lock, 5/16"	83042	4
23	SCREW, Spinlok, 1/4-20 x 5/8	80581	5	64	PISTON & PIN ASSEMBLY	A-54727	1
24	CONDENSER	76419	1		Includes:		
25	CLAMP, condenser	74514	1	65	RING, retaining	25502	1
26	SCREW, condenser clamp (sems)	55411	1	66	BEARING, main	71164-AS	1
27	LEAD, high tension	54653	1	67	SCREW	19238-A	2
28	COIL	54747	1	68	WASHER	83061	2
29	SPRING, coil wedge	76414	1	69	RING, retaining	50033	1
30	STATOR PLATE GROUP	76423	1	70	GASKET, sealing	71106	1
31	SPRING, breaker box cover	76413	1	71	WASHER, lock	83009	11
32	CAM WIPER, felt	74526	1	72	SCREW, hex hd., 1/4-20 x 7/8"	80181-1	7
33	SCREW, fixed contact (sems)	76421	1	73	CRANKCASE, rear half	A-54725	1
34	CAM, breaker	76313	1		Includes:		
35	CLIP, wire retaining	54761	3	74	SEAL, garlock	72413	1
35A	SEAL, felt	54787	1	75	STUD, cylinder mounting	72787	2
36	SCREW, flat hd., cap Nylok, 10-24 x 3/4"	82122	2	76	PIN, dowel	31062	3
37	BACK PLATE ASSEMBLY	A-54748	1	77	SHIELD, cylinder	54589-2	1
	Includes:			78	SCREW, hex hd., Spinlok, 10-24 x 3/8"	80869-1	4
38	SEAL	56256-A	1	79	TERMINAL ASSEMBLY	A-33055	1
39	BRACKET, engine mounting	54523-1A	1	80	GASKET, exhaust manifold	50335-A	1
39A	SCREW, hex hd., Spinlok	80867	2	81	MUFFLER ASSEMBLY	A-54799	1
40	GROMMET	75036	2	82	NUT, 1/4 x 28"	81065-2	4
41	CRANKCASE ASSEMBLY, front half	A-54726	1		The following parts are not shown:		
	Includes:				BRACKET, muffler	54760-3	1
42	SEAL, garlock	62750	1		STRAP, muffler	54756	1
43	BEARING, needle	73557-S	2	83	SCREW, fil., hd., 10-32 x 3/4"	80034	2
44	STUD, cylinder mounting	72787	2		Generators only (early Model)		
45	PIN, dowel	72269	2	84	HANDLE ASSEMBLY, carrying Generators only (early Model)	AA-31171	1
46	PLATE, intake valve PLATE, intake valve, 250 DP3 Diaphragm pump only	54587	1	85	BRACKET, carrying handle Generators only (early Model)	54359-1	1
47	PLUG, dry seal	28097	1				

250 ENGINE - FUEL/AIR



No.	Description	Part No.	Qty.	No.	Description	Part No.	Qty.
1	COVER, air filter	54539-2	1	12	GASKET, crankcase	54645	2
2	SHAFT ASSEMBLY, control	A-54728	1	13	PLATE, mounting (air filter)	54569-B	1
	GENERATORS		1	14	BRACKET ASSEMBLY, fuel tank	A-54650	1
	ALL OTHER UNITS		2		Includes:		
	"O" RINGS	74388	1	15	SPACER, fuel tank	54651	4
3	PLUG, generators only	54685	1	16	STRAP, fuel tank	54723	2
4	NUT, cover mounting	A-58882	1	17	TANK, fuel	54688-1	1
5	WASHER, nylon	54536	1	18	FILTER, fuel	A-59251	1
6	ELEMENT, air filter	54620	1		Includes:		
7	STUD	71304	1		FILTER	59253	1
8	GASKET	63254	2	19	CAP, fuel filler	54641-1	1
9	SPACER, carburetor	63256	1	20	FITTING	54357-1	1
10	MANIFOLD, intake	54525-1	1	21	FUEL LINE	54648	1
11	SCREW, hex hd., Spinlok, 1/4-20 x 5/8"	80581	4	22	PLUG, governor adjusting hole	54642	1
11A	SCREW, hex hd., Spinlok, 1/4-20 x 13/16 - 250 DP3 only	80573	2	23	GROMMET	62740	1
				24	CARBURETOR ASSEMBLY	A-54617	1
				25	WASHER, lock	83046	2
				26	SCREW	80965	2

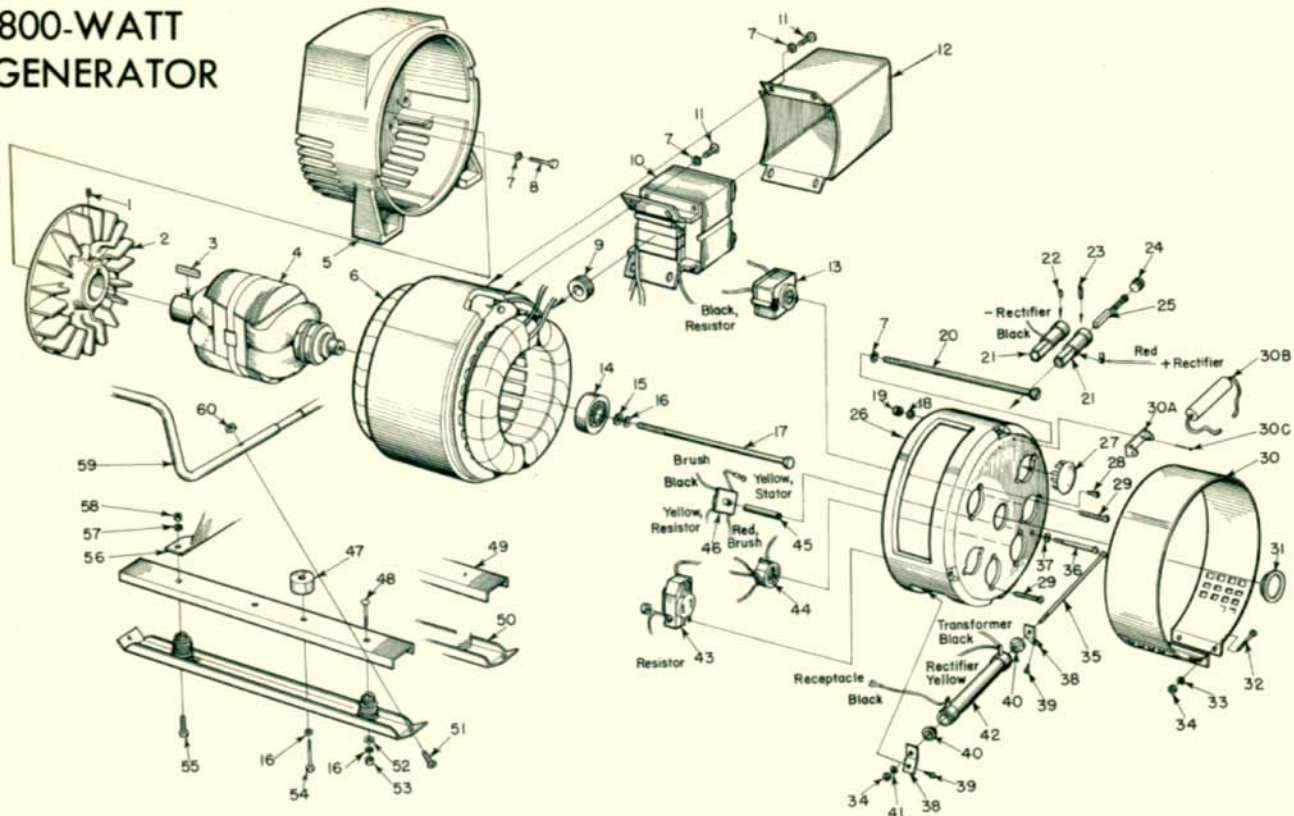
250 CARBURETOR TILLOTSON MODEL HS-45A



No.	Description	Part No.	Qty.	No.	Description	Part No.	Qty.
CARBURETOR ASSEMBLY (Tillotsen HS-45A)				18	GASKET, diaphragm	58978	1
Includes:				19	DIAPHRAGM, metering	*58988	1
1	LOCKWASHER, fuel pump cover screw	83024	4	20	COVER, diaphragm	58979	1
2	SCREW, fil. hd.	80275	4	21	SCREW, diaphragm cover	80591	4
3	COVER, fuel pump	58975	1	22	PLUG, welch (body channel - small)	*58994	1
4	GASKET, fuel pump	58981	1	23	RING, retaining (body channel - screen)	57819	1
5	DIAPHRAGM, fuel pump	*58980-R	1	24	SCREEN, body channel	59500	1
6	SCREEN, inlet	*58974	1	25	PLUG, welch (body channel - large)	*58991	1
7	SCREW, throttle shaft clip retaining	80264	2	26	SPRING, adjusting needles	*73075	2
8	LOCKWASHER	83008-1	6	27	SPRING, idle speed screw	*28064	1
9	CLIP, throttle shaft	58982	1	28	SCREW, idle speed	*71509	1
10	SPRING, friction (choke and throttle)	73264	2	29	NEEDLE, adjusting (main mixture)	*54697	1
11	BALL, friction (choke and throttle)	25527	2	30	SHAFT, choke	54699	1
12	SHUTTER, choke	58984	1	31	NEEDLE, adjusting (idle)	*54698	1
13	NEEDLE, inlet	*59717	1	32	SHAFT, throttle	54700	1
14	SPRING, inlet tension	*55759	1	33	SHUTTER, throttle	25050	1
15	LEVER, inlet control	*59716	1	34	GASKET SET	*58971	
16	PIN, inlet pinion	*58977	1	35	REPAIR KIT	54751	
17	SCREW, inlet pinion pin retaining	*58992	1				

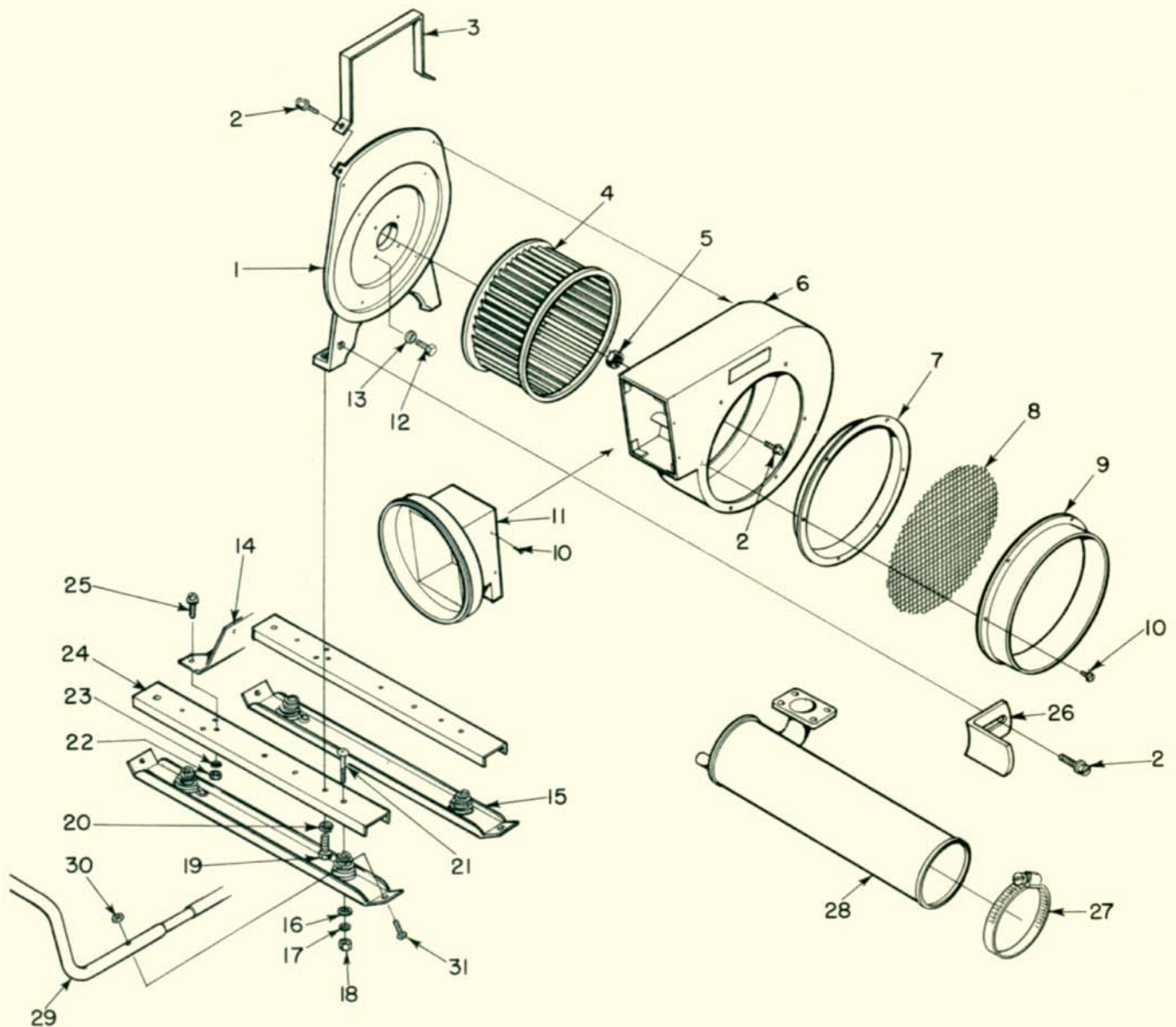
* Indicates contents of Repair Kit.

250 A18 1800-WATT GENERATOR



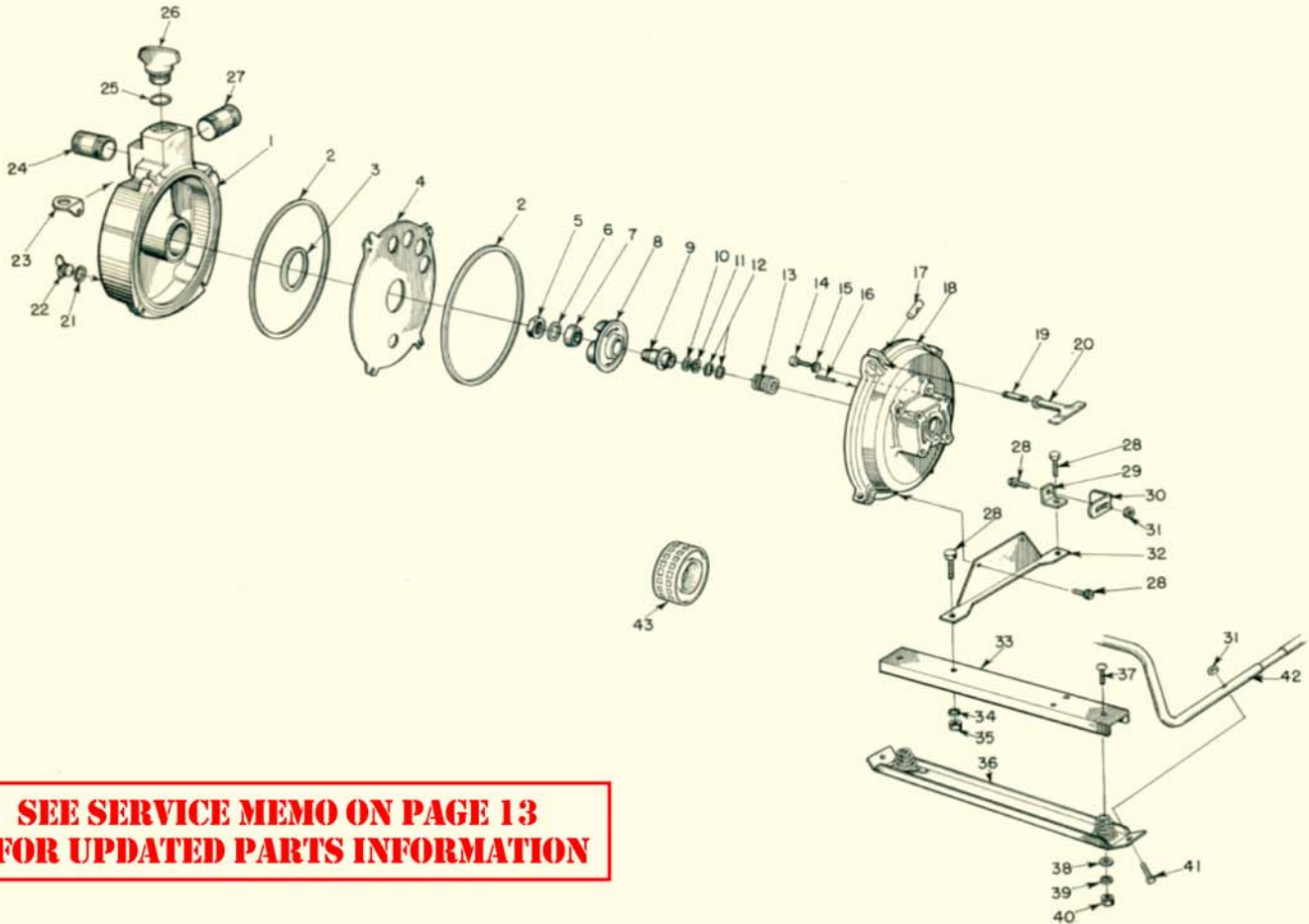
No.	Description	Part No.	Qty.	No.	Description	Part No.	Qty.
1	SCREW, hex socket set, 1/4-20 x 1/2"	80938	1	31	CAP, bearing	61884	1
2	FAN	62974-1	1	32	SCREW, fil., hd., 8-32 unc -2 -2"	82120	2
3	KEY, 3/16 x 3/16 x 3/16	15008	1	33	WASHER, lock, medium #8	83060	2
4	ROTOR, generator	A-54110	1	34	NUT, hex, 8-32 unc 2 x 1/8" thk.	81009	5
5	END BELL, fan housing	62962-3	1	35	SCREW, rd., hd., 8-32 x 5"	80530	1
6	STATOR, generator	A-54724	1	36	SCREW, rd., hd., 6-32 x 2"	80972	1
7	WASHER, lock, 1/4"	83009	16	37	WASHER, shake proof #6	83024	1
8	SCREW, hex hd., 1/4-20 x 1 3/8"	80447	4	38	BRACKET, resistor	54174	2
9	GROMMET	54177	1	39	SCREW, self tapping, #8 x 3/8"	80631	2
10	TRANSFORMER ASSEMBLY	A-54129-C	1	40	WASHER, centering	54197	2
11	SCREW, hex hd., 1/4-20 x 1/2"	80044	8	41	WASHER, lock, #8	83086	1
12	BOX, transformer CONNECTOR (not shown) TERMINAL, spade (not shown) CONNECTOR (not shown)	54137-1 54211 28507 54189	1 1 1 1	42	RESISTOR	54292	1
13	RECEPTACLE, 3-wire, 115 v.	30138	1	43	RECEPTACLE, 2-wire, 115 v.	54162	1
14	BEARING, ball	26155-S	1	44	RECEPTACLE, 2-wire, 115 v.	33777-1	1
15	WASHER, flat	84058	1	45	SPACER, rectifier	62990	1
16	WASHER, lock	83002	7	46	RECTIFIER & LEAD ASSEMBLY	A-54175	1
17	BOLT, hex hd., 5/16-24 x 6 5/8"	80979	1	47	SPACER	54683-1	2
18	WASHER, lock, #10	83046	2	48	BOLT, carriage, 5/16-18 x 1"	82003	4
19	NUT, hex, #10	81010-1	2	49	CHANNEL, base	54353-1	2
20	BOLT, hex hd., 1/4-20 x 8 7/8"	80973	4	50	SKID ASSEMBLY Includes: (each) SPRING RIVET	A-54672-A 25407 85025	2 2 2
21	BRUSH HOLDER	62825	2	51	SCREW, hex hd., 1/4-20 x 1 1/4	80259-1	4
22	SCREW, allen set, 10-32 x 3/8"	80514	1	52	WASHER, flat, 5/16"	84032	4
23	SCREW, allen set, 10-32 x 3/4"	80999	1	53	NUT	81018-1	4
24	CAP, brush holder	62826	2	54	SCREW, hex hd., machine, 5/16-18 x 1 3/4"	80288-1	2
25	BRUSHES	62827	2	55	SCREW, hex hd., 1/4-20 x 5/8"	80581	2
26	END BELL, brush head	54097-2A	1	56	BRACKET, engine mounting	54523-1A	1
27	PLUG, button	54158	3	57	WASHER, lock, 1/4"	83053	2
28	SCREW, flat hd., 8-32 x 3/8"	80223	4	58	NUT, hex, 1/4-20	81053	2
29	SCREW, flat hd., 8-32 x 1 1/2"	80971	2	59	HANDLE ASSEMBLY, carrying, later Models	A-54796-1	1
30	SHIELD, end bell	62771-1	1	60	NUT, hex, flexlok, 1/4-20 MUFFLER (not shown)	81108 A-54799	4 1
30A	BRACKET, carrying handle (early Models only)	54359-1	1				
30B	HANDLE ASSEMBLY, carrying (early Models only)	AA-31171	1				
30C	SCREW, fil., hd., 10-32 x 5/8" (early Models only)	80039	2				

250 B-1 BLOWER



No.	Description	Part No.	Qty.	No.	Description	Part No.	Qty.
1	PLATE, blower mounting	54580-2	1	16	WASHER, flat, 5/16"	84032	4
2	SCREW, hex hd., spinlok slotted 1/4-20 x 1/2"	80681	9	17	WASHER, lock, 5/16"	83002	4
3	HANDLE, carrying, early Models	54673-1	1	18	NUT, hex, 5/16-18	81018-1	4
4	ROTOR, blower	76855-2	1	19	SCREW, hex hd., machine, 5/16-18 x 3/4"	80695	2
5	NUT, elastic stop 5/8-18	81209	1	20	WASHER, lock, 5/16"	83081	2
6	HOUSING, blower	30039-2	1	21	BOLT, carriage, 5/16-18 x 1	82003	4
7	VENTURI, blower (inlet)	30038-1	1	22	NUT, hex, 1/4-20	81053	2
8	SCREEN, inlet	30028-1	1	23	WASHER, lock, 1/4"	83053	2
9	COLLAR, inlet	30029-1	1	24	CHANNEL, base	54353-1	2
10	SCREW, #12 sheet metal 1/2"		9	25	SCREW, hex, hd., spinlok, 1/4-20 x 5/8	80581	2
11	OUTLET, blower	76851-1	1	26	BRACKET, muffer	54760-3	1
12	SCREW, 1"	80284	4	27	STRAP, muffer	54756	1
13	WASHER, lock	83009	4	28	MUFFLER	A-54799	1
14	BRACKET, engine mounting	54523-1A	1	29	HANDLE ASSEMBLY, carrying, later Models	A-54796-1	1
15	SKID ASSEMBLY Includes: (each) SPRING, foot RIVET	A-54672-A	2	30	NUT, hex, flexlock, 1/4-20, later Models	81108	4
		25407	2	31	SCREW, hex, hd., 1/4-20 x 1 1/4" later Models	80259-1	4
		85025	2				

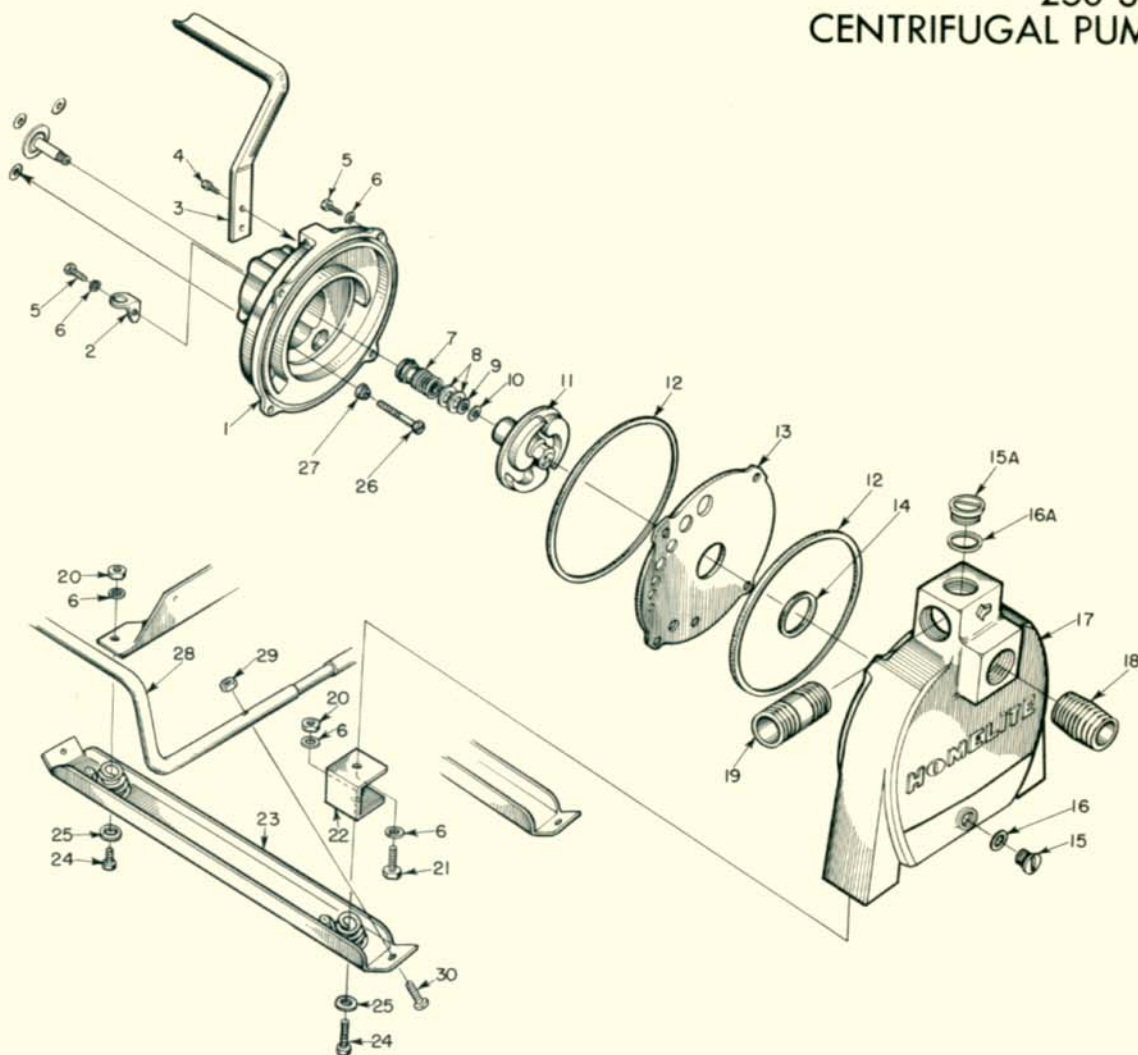
250 TP2-1 TRASH PUMP



**SEE SERVICE MEMO ON PAGE 13
FOR UPDATED PARTS INFORMATION**

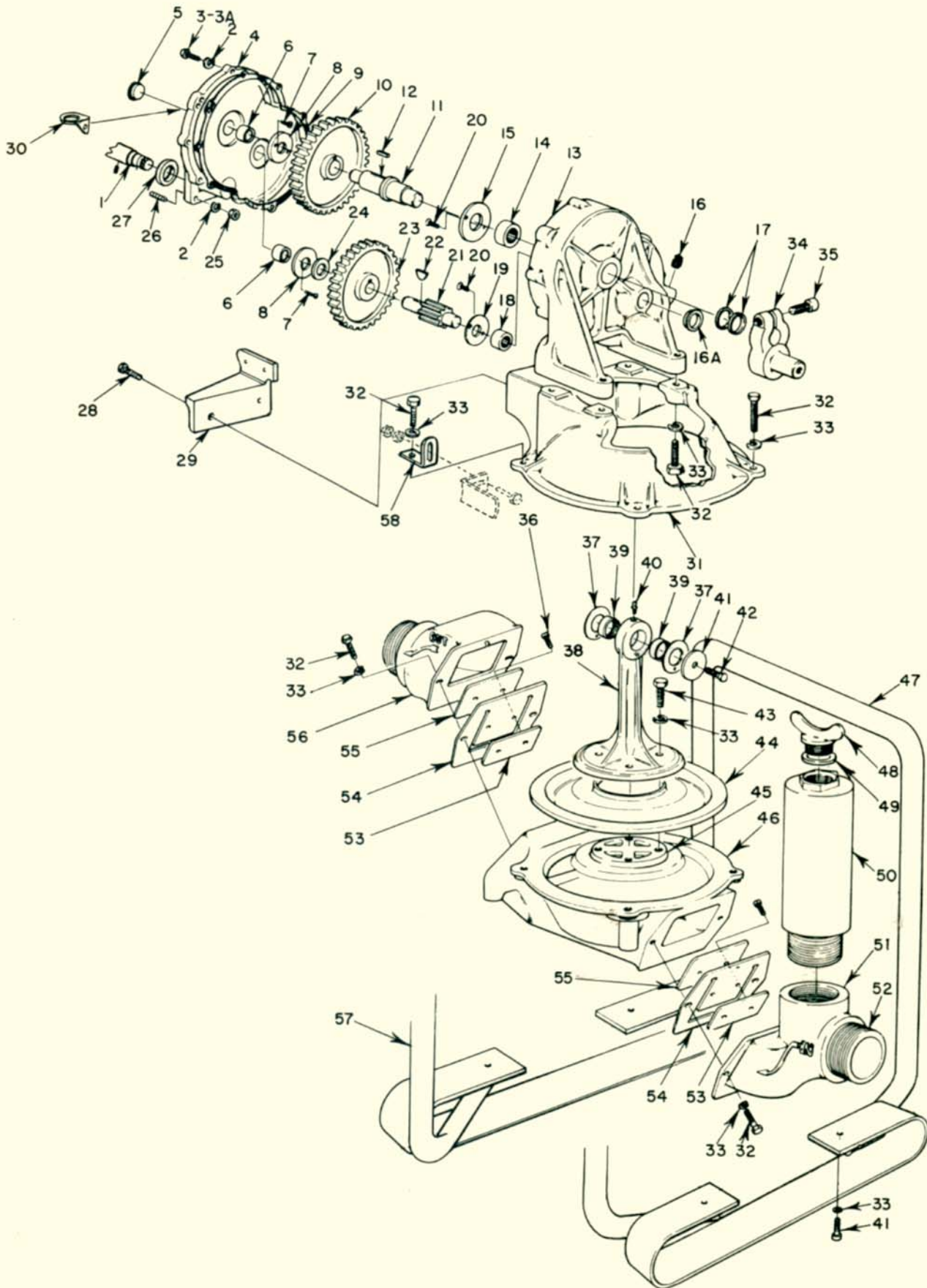
No.	Description	Part No.	Qty.	No.	Description	Part No.	Qty.
1	HOUSING, end	54130-2	1	28	SCREW, hex, hd., spinlok	80581	5
2	GASKET, large	54070	2	29	SUPPORT, muffler bracket	75969-1	1
3	GASKET, small	54069	1	30	BRACKET, muffler	54760-3	1
4	PLATE, wear	54136	1	31	NUT, hex, flexlok, 1/4-20	81108	5
5	NUT, impeller	54741	1	32	BRACKET, mounting	54523-1A	1
6	WASHER, impeller	54740	1	33	CHANNEL, base	54353-1	2
7	BUSHING, tapered	54739	1	34	WASHER, 1/4"	83053	2
8	IMPELLER	54132	1	35	NUT, 1/4-20	81053	2
9	HUB, impeller	54738	1	36	SKID ASSEMBLY	A-54672-A	2
10	SHIM, .010"	62872	as req.		Includes (each):		
11	SHIM, .015"	62873	as req.		SPRING	25407	2
12	WASHER, spacer	84056	2		RIVET	85025	2
13	SEAL ASSEMBLY	A-62713	1	37	BOLT, carriage, 5/16-18 x 1"	82003	4
14	SCREW	80300-2	4	38	WASHER, flat, 5/16	84032	4
15	WASHER, sealing	54557	4	39	WASHER, lock, 5/16	83002	4
16	PIN, spiral	54660	2	40	NUT, hex, 5/16-18	81018-1	4
17	STUD, handle	54398	4	41	SCREW, hex, hd., 1/4-20 x 1 1/4"	80259-1	4
18	HOUSING, impeller	54131-4	1	42	HANDLE ASSEMBLY, carrying	A-54796-1	1
19	PIVOT, handle	54397	4	43	STRAINER	54702	
20	HANDLE, disconnect	54550-2	4		The following parts are not shown:		
21	GASKET, drain cap	59910	1		WRENCH, spanner	19189-A	1
22	CAP, drain	59594-A	1		SEAL ASSEMBLY, for liquid		
23	HOLDER, spanner wrench	62450	1		fertilizer - special order		
24	NIPPLE, inlet, 2" x 2"	75663-1	1		only	A-62713-1	1
25	GASKET, wing plug	18108	1		MUFFLER, (not shown)	A-54799	1
26	PLUG, wing	54551-2	1				
27	NIPPLE, outlet, 2" x 3 1/2"	54151-1	1				

250 S-2 CENTRIFUGAL PUMP



No.	Description	Part No.	Qty.	No.	Description	Part No.	Qty.
1	HOUSING, impeller	54428-2	1	22	SPACER, end housing	54710-1	2
2	HOLDER, spanner wrench	62450	1	23	SKID ASSEMBLY	A-54708	2
3	HANDLE, carrying, early Models only	62876-1	1		Includes: (each)		
4	SCREW, hex, hd., 1/4-20 x 1/2", early Models only	80681	2		SPRING	25407	2
5	SCREW, hex, hd., 5/16-18 x 1 1/8"	80086	4		RIVET	85025	2
6	WASHER, lock	83002	10	24	BOLT, hex, hd., 5/16-18 x 1	80085-1	4
7	SEAL ASSEMBLY	A-62861	1	25	WASHER, flat	84032	4
8	WASHER	84056	2	26	SCREW, hex, hd., 1/4-20 x 2 1/4	80300-2	4
9	SHIM, .010"	62872	as req.	27	WASHER, sealing	54557	4
10	SHIM, .015"	62873	as req.	28	HANDLE ASSEMBLY, carrying, later Models only	A-54796-1	1
11	IMPELLER	62988	1	29	NUT, hex, flexlok, 1/4-20, later Models only	81108	4
12	GASKET, large	54070	2	30	SCREW, hex, hd., 1/4-20 x 1 1/4", later Models only	80259-1	4
13	PLATE, wear	54066	1				
14	GASKET, small	54069	1		The following parts are not shown:		
15	CAP, drain	59594-A	1		WRENCH, spanner (not shown)	19189-A	
15A	FILLER PLUG ASSEMBLY	A-54152	1		SHIM, 1" O. D. x 5/8" I.D. x .010" special order	62882	
	Includes:				SHIM, 1" O. D. x 5/8" I.D. x .015" - special order	62883	
16A	GASKET	54196	1		SEAL ASSEMBLY, for liquid fertilizer - special order	A-62861-1	
16	GASKET, drain cap	59910	1		STRAINER	30128	
17	HOUSING, end	62989-4	1		MUFFLER (not shown)	A-54799	1
18	NIPPLE, 2" x 2" long	75663-1	1				
19	NIPPLE, 2" x 3 1/2" long	54151-1	1				
20	NUT, hex, 5/16-18	81018-1	4				
21	SCREW, hex, hd., 5/16-18 x 5/8"	80741	2				

250 DP3-1 DIAPHRAGM PUMP



250 DP3-1 DIAPHRAGM PUMP

No.	Description	Part No.	Qty.	No.	Description	Part No.	Qty.
1	CRANKSHAFT, engine, geared-end	A-54522-2	1	36	SCREW, fil., hd., 10-32 x 1/2"	80393	4
2	WASHER, lock, 1/4"	83009	14	37	WASHER, thrust	73856	2
3	SCREW, hex, hd., 1/4-20 x 1"	80284	7	38	ROD ASSEMBLY, pump	A-74339	1
3A	SCREW, socket head, 1/4-20 x 1"	80734 -1	3		Includes:		
4	COVER, gear case	A-74616	1	39	BEARING, needle	74121-S	2
	Includes:			40	FITTING, alemite	32409	1
5	CAP, bearing	74137	2		PIN, locating (not shown)	76982	1
6	BEARING, needle	74251-S	2	41	WASHER	73857	1
7	SCREW, flat hd., 8-32 x 1/2"	80143	4	42	SCREW, hex, hd., 3/8-16 x 3/4"	80171	1
8	WASHER, thrust	73850	2	43	SCREW, hex, hd., 1/2-13 x 1 1/4"	80272	8
9	GASKET	74147	1	44	DIAPHRAGM	74351	1
10	GEAR, pump	73866-1	1	45	CAP, diaphragm	73706	1
11	SHAFT & KEY ASSEMBLY	A-75672	1	46	BODY, pump	A-74313	1
	Includes:				Includes:		
12	KEY	27752	2		PIN, locating (not shown)	72269	1
13	CASE SUB ASSEMBLY, gear	A-74312	1	47	FRAME, handle	54192	2
	Includes:			48	PLUG, wing	18127-B	1
14	BEARING, needle	74252-S	1	49	GASKET, wing plug	18108	1
15	WASHER, thrust	73855	1	50	STANDPIPE, 3"	74344	1
16	PLUG, oil filler	55140-A	1	51	FITTING, suction	A-74348	1
16A	CAP, bearing	74137	1		Includes:		
17	SEAL, garlock	74333	2		PIN	72269	1
18	BEARING, needle	74251-S	1	52	NIPPLE, 3"	74343-1	2
19	WASHER, thrust	73850	1	53	WEIGHT, valve	74155	2
20	SCREW, flat head	80143	4	54	VALVE	74154	2
	PIN, dowel (not shown - for locating)	74332	2	55	PLATE, valve	74156	2
21	SHAFT, intermediate	A-75706	1	56	FITTING, discharge	73874	1
	Includes:			57	SPRING, foot	73731	2
22	KEY, woodruff	74353-1	1	58	BRACKET, muffler	54760-1	1
23	GEAR, intermediate	74352-1	1		The following parts are not shown:		
24	SPACER	73885	1		WRENCH, spanner	20024-A	1
25	NUT	81065-2	4		STRAINER	74454-A	1
26	STUD	74671	4		OIL, gear (1 pint)	55291-B	1
27	SEAL, garlock	72413	1		The following parts are available on special order:		
28	SCREW, hex, spinlok, 1/4-20 x 13/16" (see Engine-fuel system, index #11 for position of 2 screws)	80573	4		STRAINER, with foot valve - for use with solids	74354-A	
29	SUPPORT, engine	54692	1		VALVE, foot - for general pumping use	AA-26799	
30	HOLDER, spanner wrench	62450	1		VALVE - for use with petroleum products	74154-1	
31	BODY, pump (upper)	74118-1	1		BRACKET, lifting	54802	1
32	SCREW, hex, hd., 1/2-13 x 1 3/4"	80627	12		LINK, lifting	54803	1
33	WASHER, lock, 1/2"	83020	20		MUFFLER	A-54799	1
34	CRANK	73858	1				
35	SCREW, cap, 1/2-13 x 1 1/2"	80423	1				

250

2 CYCLE ENGINE

HOMELITE

A **Textron** DIVISION • PORT CHESTER, NEW YORK

6-67

Part No. 24069

Illustrated and prepared by
PURNELL COMPANY, INC.
Boston, Mass.

Printed in U.S.A.



TO: All Districts, Branches & Construction Equipment Dealers

SUBJECT: 250TP2-1 Parts Book #24069

DATE: 3/31/69

A new parts book for the 250TP2-1 will not be necessary. The original parts list #24069 for the Model 250 as released in June 1967, includes the 250TP2-1. To update the 250TP2-1 section of the existing parts book, make the following additions and corrections:

250 Engine - Page #3

ADD and Mark "For 250TP2-1 Only"

A-53194-1	Crankshaft
A-53197	Bearing, Needle (set of 23)
A-53192	Connecting Rod
	Includes: 2 pieces Part #53249 Screw, socket hd. cap

Pump End - Page #8

<u>Change</u> - Item #18 to Part #53248-2	1 pc.
" #21 " "	76885-A 1 pc.
" #22 " "	54858-1 1 pc.
" #34 " "	83002 4 pcs.
" #35 " "	81018-1 2 pcs.
" #41 " "	80284 4 pcs.

Remove - Items #28, 29 and 32 - No Longer Required.

Order Parts from your Homelite District Office.

[REDACTED]
Service Dept.