

# HOMELITE®

## DIAPHRAGM PUMP

model 111DP3-1

### INSTRUCTIONS & PARTS LIST

#### INSTRUCTIONS

These instructions apply specifically to the Model 111DP3-1 4-cycle Diaphragm Pump. For general pump information and operations, please refer to the Homelite Pump Operators Manual which is packed with each unit.

The 111DP3-1 is driven by a Briggs and Stratton 4-cycle engine. Read the enclosed engine operating manual before starting the unit.

The engine has been drained for shipment; be certain to fill the crankcase to the indicated level with the proper grade of oil specified in the engine manual.

#### LUBRICATION:

The pump gear case is drained for shipment, and must be filled to the level of the filler plug with SAE 90 gear oil (Homelite 55291-B) before operation. Check the oil at weekly intervals to maintain this level.

The pump rod journal bearing should be greased at monthly intervals. Apply bearing grease at the journal fitting until fresh grease oozes from the journal.

#### PRIMING

The 111DP3-1 is self priming to lifts of 15 feet. To prime above 15 feet, remove the stand-pipe plug and pour in approximately one gallon of water. Retighten the plug securely.

#### OPERATING HINTS:

Always use the strainer to prevent debris from clogging the valves.

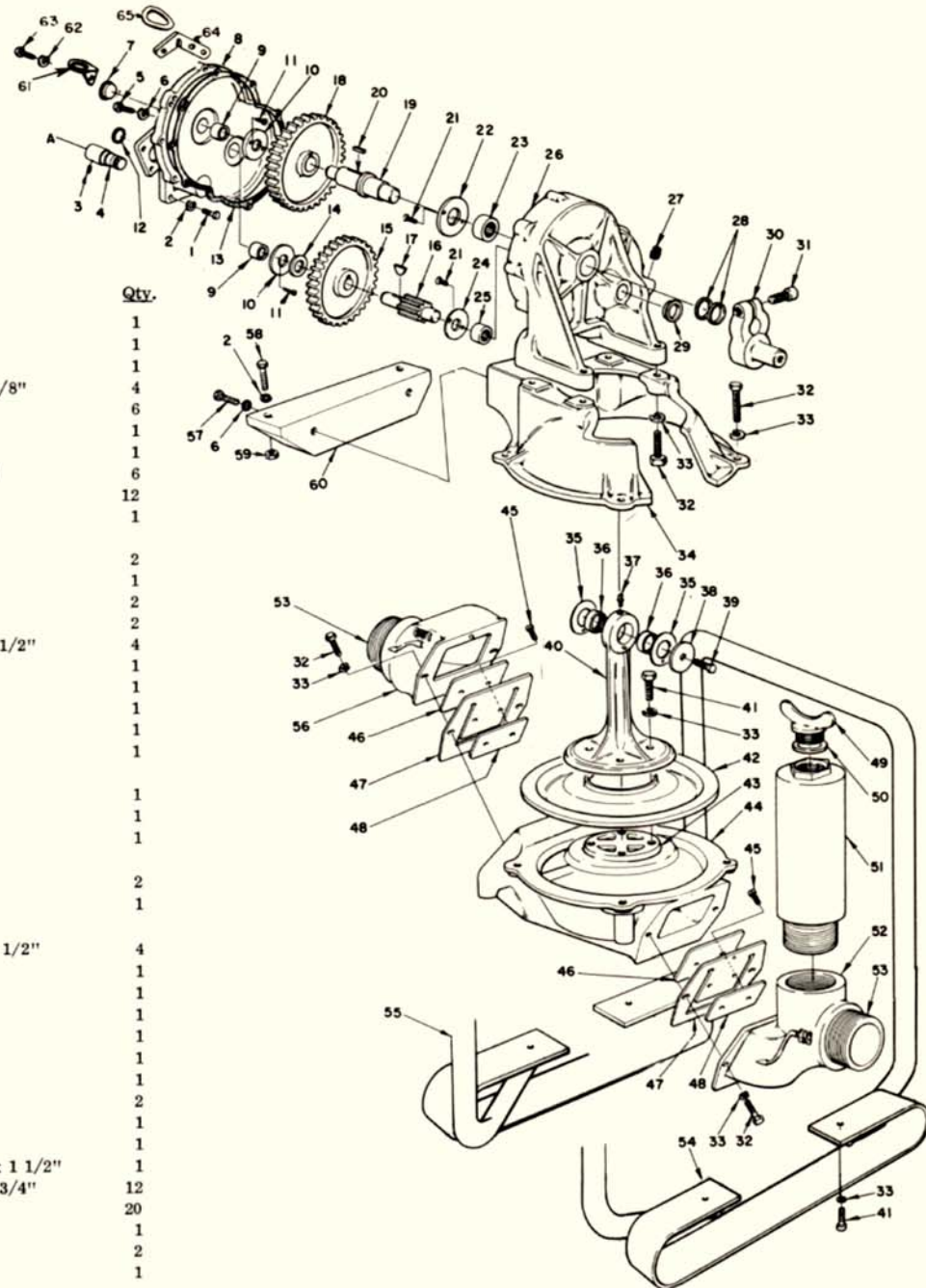
Inlet (suction) connections to the pump must be air tight to prevent loss of vacuum.

Pump connections must be flexible; if a pipe is used, connect a short piece of flexible hose between the pipe and the pump.

The vertical discharge limit of this pump is 25 feet. Pumping to heights greater than 25 feet above the unit is not practical.

**HOMELITE** A Textron Division PORT CHESTER, N.Y., U.S.A.

# 111DP3-1



Key	Part No.	Description	Qty.
A	*54965	Engine, Briggs and Stratton	1
	81148	Nut, #5-44 (Engine Speed)	1
	40393	Key	1
1	80376	Screw, hex hd., 5/16-24 x 7/8"	4
2	83002	Washer, lock, 5/16"	6
3	80445	Screw, set, 1/4-20 x 1/4"	1
4	75893	Shaft, extension	1
5	80284	Screw, hex hd., 1/4-20 x 1"	6
6	83009	Washer, lock, 1/4"	12
	A-75983	Gear Case Cover	1
		Includes:	
7	74137	Cap, Bearing	2
8	§	Cover, gear case	1
9	74251	Bearing, needle	2
10	73850	Washer, thrust	2
11	80143	Screw, flat hd., 8-32 x 1/2"	4
12	74333	Seal, extension shaft	1
13	74147	Gasket, gear case	1
14	73885	Spacer	1
15	74352-1	Gear, intermediate	1
16	A-75706	Gear	1
		Includes:	
17	74353-1	Key	1
18	73866-1	Gear, pump	1
19	A-75672	Shaft, gear	1
		Includes:	
20	27752	Key	2
	A-74312	Gear Case Assembly	1
		Includes:	
21	80143	Screw, flat hd., 8-32 x 1/2"	4
22	73855	Washer, thrust	1
23	74252	Bearing, needle	1
24	73850	Washer, thrust	1
25	74251	Bearing, needle	1
26	§	Gear Case, with pins	1
27	55140-A	Plug, oil filler	1
28	74333	Seal, garlock	2
29	74137	Cap, bearing	1
†30	73858-2	Crank, pump	1
31	80423	Screw, socket hd., 1/2-13 x 1 1/2"	1
32	80627	Screw, hex hd., 1/2-13 x 1 3/4"	12
33	83020	Washer, lock, 1/2"	20
34	74118-4	Body, pump (upper)	1
35	73856	Washer, thrust	2
	A-74339	Pump Rod Assembly	1
		Includes:	
36	74121	Bearing, needle	2
37	32409	Fitting, grease	1
	75614	Pin	1
38	73857	Washer	1
39	80171	Screw, hex hd., 3/8-16 x 3/4"	1
40	§	Pump Rod	1
41	80272	Screw, hex hd., 1/2-13 x 1 1/4"	8
42	74351	Diaphragm	1
†43	73706-1	Plate, diaphragm	1
44	A-74313	Pump Body Assembly	1
		Includes:	
	54890	Pin, roll	1
45	80393	Screw, fil. hd., 10-32 x 1/2"	4
46	74156	Plate, valve	2
47	74154	Valve	2
†48	74155-1	Weight, valve	2
†49	18127-2	Plug, wing	1
50	18108	Gasket, plug	1
†51	74344-2	Stand Pipe, 3"	1
52	A-74348	Suction Fitting, 3"	1
		Includes:	
	54890	Pin	1
53	74343-1	Nipple, 3"	2
†54	73731-1	Spring, foot	2
†55	54192-1A	Frame, handle	2
†56	73874-2	Discharge Fitting, 3"	1

Key	Part No.	Description	Qty.	
	57	80218-1	Screw, hex hd., 1/4-20 x 3/4"	2
	58	80087	Screw, hex hd., 5/16-18 x 1 1/2"	2
	59	81162	Nut, hex, 5/6-18	2
†60	75981-1	Bracket, engine to pump	1	
†61	62450-1	Wrench Holder	1	
	62	83077-1	Washer, lock	1
	63	80388	Screw, hex hd.	4
	*64	54802-1	Bracket, lifting	1
	*65	54803	Link, lifting	1
		20024-B	Wrench, Spanner	1
		74454-A	Strainer, suction hose	1

### Accessories

74354-A	Strainer with Foot Valve, use for solids
74154-1	Valve, oil and gasoline resistant
AA-26799	Foot Valve
74676-1	Nipple, 3" (NPT to British)
54639	Coupling, 3"
A-75661	Suction Assembly, 2"
A-75662	Discharge Assembly, 2"

\* denotes new part

† denotes part # change, no physical change.

§ not sold separately

ALWAYS FURNISH MODEL AND SERIAL NUMBER WHEN ORDERING PARTS.