

# HOMELITE®

PART NO. 24241-A  
PRINTED IN U.S.A.  
Price .15

# CENTRIFUGAL TRASH PUMPS

## MODELS 121TP2-1A & 121TP2-1

### INSTRUCTIONS

These instructions are for the 121TP2 Model Series of Trash Pumps only. For a general description of HOMELITE pumps, including theory, maintenance, and operation, see the accompanying manual HOMELITE PUMPS (Part No. 24003).

HOMELITE has selected a Briggs & Stratton 4-cycle engine to power this unit, and a separate instruction manual has been provided to acquaint you with proper operating and maintenance procedures for this engine.

**CAUTION:** *Do not fill the fuel tank while the engine is running as this may cause a fire. Be sure to clean up any spilled fuel before starting the engine.*

**THIS PUMP IS DESIGNED FOR PUMPING WATER. IT MAY BE USED FOR PUMPING OTHER LIQUIDS OF NON-HAZARDOUS TYPE, BUT UNDER NO CIRCUMSTANCES SHOULD IT BE USED FOR PUMPING HAZARDOUS MATERIAL.**

**BEFORE YOU PULL THE STARTER CORD, BE SURE THE PUMP CONTAINS WATER. WATER IN THE PUMP NOT ONLY LUBRICATES AND PRIMES THE PUMP, BUT ALSO KEEPS IT COOL. WHEN CONTAMINANTS SUCH AS MUD OR DETERGENTS IN THE WATER PREVENT PRIMING TO HIGH LIFTS, DRAIN PUMP AND FILL WITH CLEAR, CLEAN WATER.**

The impeller is shock-mounted on a tapered bushing. Should a hard object strike or jam the vanes, this mounting allows the impeller to slip slightly and stall the engine gradually, avoiding damage to the unit. To inspect or replace the impeller, loosen the four disconnect handles and swing them away from the end housing lugs. Remove the housing, the two gaskets, and the wear plate. The second large gasket, between the wear plate and impeller housing, can now be removed. If it appears advisable to remove the impeller for further inspection, replacement, or clearance adjustment, the entire hub assembly should be removed as a unit. Use a 3/4" wrench on

the hex end of the hub and remove the assembly by turning counterclockwise. (A sharp rap on the wrench will free frozen threads.)

With the hub removed from the engine shaft, note the placement of the spacing shims which position the impeller. To continue disassembly for replacement of the impeller or the tapered bushing, use a 1 1/4" wrench to remove the impeller nut and washer. The bushing can become pushed or struck out of the impeller. And if signs of slippage or excessive wear are evident the bushing should be replaced.

Inspect the impeller for chipped or cracked vanes, excessive corrosion, and for wear that increases the clearance to more than .030 inch (See Figure 1). Replace if necessary.

To reinstall the impeller, put the tapered bushing in place, insert the impeller hub, install the washer and tighten the nut firmly. Place shims between the impeller hub and spacer to shim the impeller .020" to .030" in from the impeller housing edge, as in Figure 1. Screw the hub onto the engine shaft and tighten it securely. Using new gaskets as needed, position the wear plate and the end housing and swing the disconnect handles back in place, tightening them securely.

### STRAINER

The strainer supplied with this pump is designed to fit a 2-inch hose, and the strainer orifices are over-size to permit passage of the larger solid wastes the unit is designed to handle. Under no circumstance should strainer with larger holes be used; nor should existing holes be enlarged, or the pump operated without the strainer.

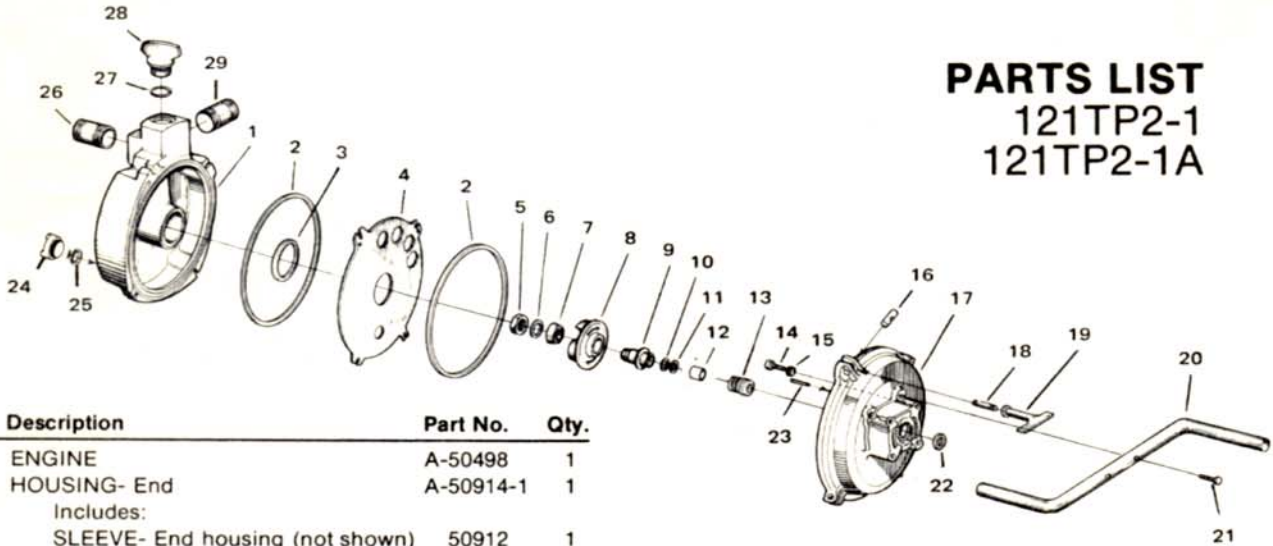
# HOMELITE TEXTRON

Homelite Division of Textron Inc.

# PARTS LIST

## 121TP2-1

## 121TP2-1A



No.	Description	Part No.	Qty.
	ENGINE	A-50498	1
1	HOUSING- End	A-50914-1	1
	Includes:		
	SLEEVE- End housing (not shown)	50912	1
	LABEL- Service Instr. (not shown)	53876-A	1
	DECAL- Engine (not shown)	46435	1
2	GASKET- Large	54070	2
3	GASKET- Small	54069	1
4	PLATE- Wear	54136-1	1
5	NUT	54741	1
6	WASHER	54740	1
7	BUSHING- Tapered	54739-A	1
8	IMPELLER	54132-2	1
9	HUB- Impeller	54738-1	1
10	SHIM, .010	62882-A	A/R
11	SHIM, .015	62883-A	A/R
12	SPACER- Crankshaft	50516	1
13	SEAL ASSEMBLY	A-62713-1	1
	Includes:		
	HEAD	62715-1	1
14	SCREW- Hex hd., 5/16-24 x 2 1/4	80927	4
15	WASHER- Sealing	62874	4
16	PIVOT- Handle	54397-1	4
17	HOUSING- Impeller	54131-2	1
18	STUD- Handle	54398-1	4
19	HANDLE- Disconnect	54550-2	4
20	HANDLE- Carrying	54581-1	1
21	SCREW- Hex hd., 5/16-18 x 1 1/4	80199	2
22	SLINGER	76885-A	1
23	PIN- Spirol	54660	2
24	PLUG- Drain	A-43896	1
	Includes:		
25	GASKET	59910	1
26	NIPPLE, 2" x 2" long	75663-1	1
27	GASKET	18108	1
28	PLUG- Wing	54551-2	1
29	NIPPLE, 2" x 3 1/2" long	54151-1	1
30	PLATE- Engine mounting	54658-1	1
31	SCREW, 5/16-18 x 1 1/2	80087	4
32	WASHER- Lock, 5/16	83002	12
33	NUT, 5/16-18	81162	14
34	BOLT- Carriage, 5/16-18	80085-1	2
35	ANGLE- Base, left side	74022-2	1
36	ANGLE- Base, right side	74023-2	1
37	SKID ASSEMBLY	A-76838	2
	Includes (per assembly):		
	SPRING	50389	2
	RIVET	85025	2
38	WASHER- Flat, 5/16	84032	4
39	SCREW, 5/16-18 x 3/4	80695	4
40	STRAINER	54702-A	1
41	WRENCH- Spanner	19189-B	1
42	HOLDER- Spanner wrench	62450-1	1
43	SCREW- Fil, hd, 1/4-20 x 3/8	80136-1	1
44	WASHER- Flat, 1/4	84020	1

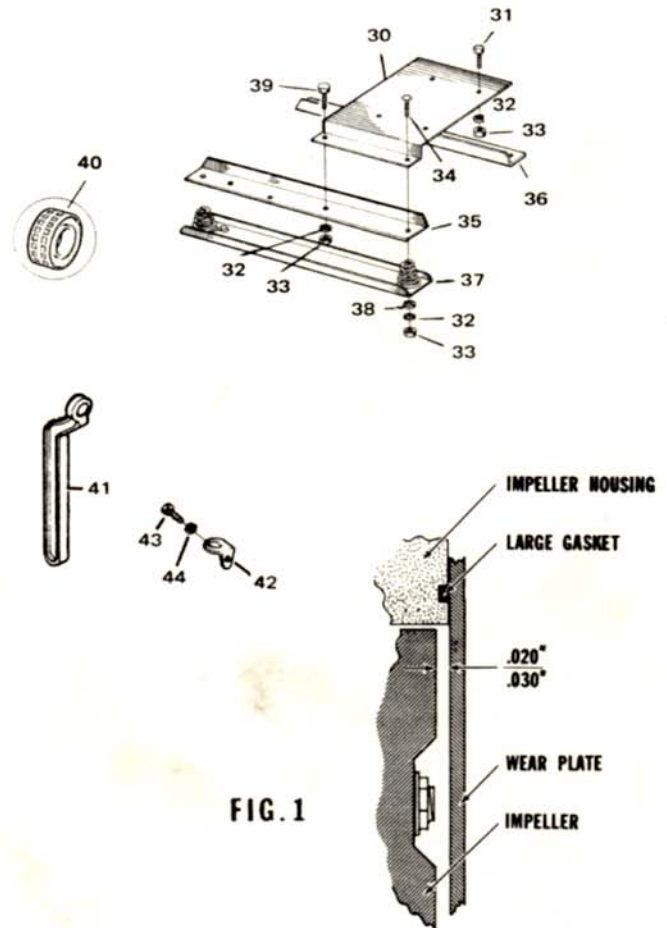


FIG. 1

### ACCESSORIES:

SEAL for solvents  
LOCTITE

A-62713-2  
23488-B