

* Included in A 43297 C EPDM Overhaul Seal Kit

Note: See Page 31 for Ag Series Chemical Compatibility Chart

Pump Wet-End Kit: **AP22WE (UT-L1616Z)**

Includes all pump parts, EPDM seals, no engine

REF.	PART NO.	DESCRIPTION	QTY.
1	04867 A	Engine, B&S Standard 3½ hp (AP22B)	1
	15017	Engine, B&S Powerbuilt OHV 5½ hp (AP52B)	1
	15228	Engine, Kohler OHV 5½ hp (AP52K)	1
	08171	Engine, Honda GX160 5½ hp (AP52H)	1
2	42382	Shim, .010"	AR
	42383	Shim, .015"	AR
3	43270 B	Impeller Housing	1
4	81172 B	Hex Nut, 1/4-20	10
5	83009	Lock Washer, 1/4" (see also #26)	10
*6	43752	O-Ring (EPDM)	1
*7	43313	O-Ring, Screw (EPDM)	5
8	43302 B	Bracket Screw, Pan Head, Stainless	4
*9	43314	O-Ring, Segment (EPDM)	1
*10	43312	O-Ring, Body (EPDM)	1
*11	43303 A	Shaft Seal (EPDM)	1
12	43301 A	Key, 3/16 x 3/16 x 1	1

REF.	PART NO.	DESCRIPTION	QTY.
13	43274 B	Impeller	1
14	43284 B	Impeller Screw, 5/16-24 x 3/4"	1
15	43324 A	Volute	1
16	43285 C	Volute Screw, Stainless, 6-32 x 1/2"	2
17	46044 A	Volute Assembly Screw, 10-24 x 1-1/2"	AR
*18	43300 B	Check Valve (EPDM)	1
19	A 43278 A	Body [includes (2) Decals]	1
NS	08970	Decal, Fill Pump	1
NS	08971	Decal, Warning	1
*20	PS 46045 A	Screw, 1/4-20 x 2-1/2"	10
*21	43315	O-Ring, Fill Plug (EPDM)	1
22	43311 A	Filler Plug [Note: #21 O-Ring not included]	1
23	46317 A	Drain Plug	1
24	02964	Slinger	1
*25	43880 A	Decal, EPDM	1
NS	09081	Decal, Safety Sign (On Engine)	1
26	83009	Lock Washer, 1/4" (see note 1; see also #5)	2

Note 1: On AP52K (Kohler-powered pump) only, use 83009 lockwashers on the top two screws, to improve fuel tank clearance.)

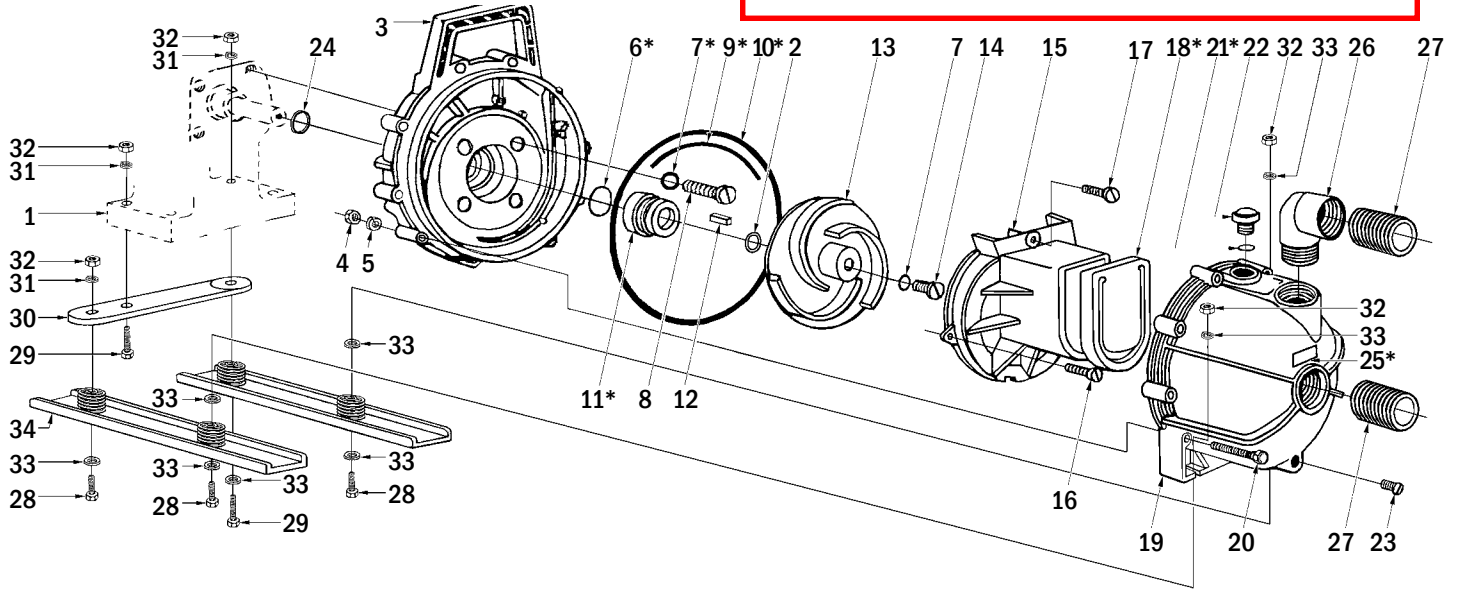
TORQUE SPECS

REF NO.	Inch Pounds	Newton Meters	Notes:
8	70-90	7.9-10.2	Use Loctite Red 262
14	20-25	2.3-2.8	Use Loctite Red 262
16	15-20	1.7-2.3	
17	15-20	1.7-2.3	
20	20-25	2.3-2.8	

OTHER PARTS & ACCESSORIES:

PART NO.	DESCRIPTION
A 43297 C	EPDM Repair Kit
A 47832 A	Buna-N Repair Kit
L 17043	Owner's Manual
43307	Strainer, 2", Plastic
19189 B	Spanner Wrench, 2"
15036	Foot Valve, 2"
15082	Reducer Bushing, 2" to 1-1/2"
A 15141	Roll Cage Kit

Note:
These models are not in current Riverside Pumps production. The AP24B and AP54B are the same pumps, without Skid Mounts.



* Included in A 47832 A Buna-N Overhaul Seal Kit

Pump Wet-End Kit: **AP24WE** (UT-L1633Z)
 Includes all pump parts (no skids), Buna-N seals, no engine

Note: See Page 31 for Ag Series Chemical Compatibility Chart

REF.	PART NO.	DESCRIPTION	QTY.
1	04867 A	Engine, B&S Standard 3½ hp (AP32B)	1
	15017	Engine, B&S Powerbuilt OHV 5½ hp (AP62B)	1
2	42382	Shim, .010"	AR
	42383	Shim, .015"	AR
3	43270 B	Impeller Housing	1
4	81172 B	Hex Nut, 1/4 - 20	10
5	83009	Lock Washer, 1/4"	10
*6	43751	O-Ring (Buna-N)	1
*7	67900	O-Ring, Screw (Buna-N)	5
8	43302 B	Screw, Pan Head, SS (AP32B, AP62B)	4
*9	43272	O-Ring, Segment (Buna-N)	1
*10	43273	O-Ring, Body (Buna-N)	1
*11	43271	Shaft Seal (Buna-N)	1
12	43301 A	Key, 3/16 x 3/16 x 1	1
13	43274 B	Impeller	1
14	43284 B	Impeller Screw, 5/16-24 x 3/4"	1
15	43324 A	Volute	1
16	43285 C	Volute Screw, Stainless, 6-32 x 1/2"	2
17	46044 A	Volute Assembly Screw, 10-24 x 1-1/2"	AR
*18	43276 B	Check Valve (Buna-N)	1

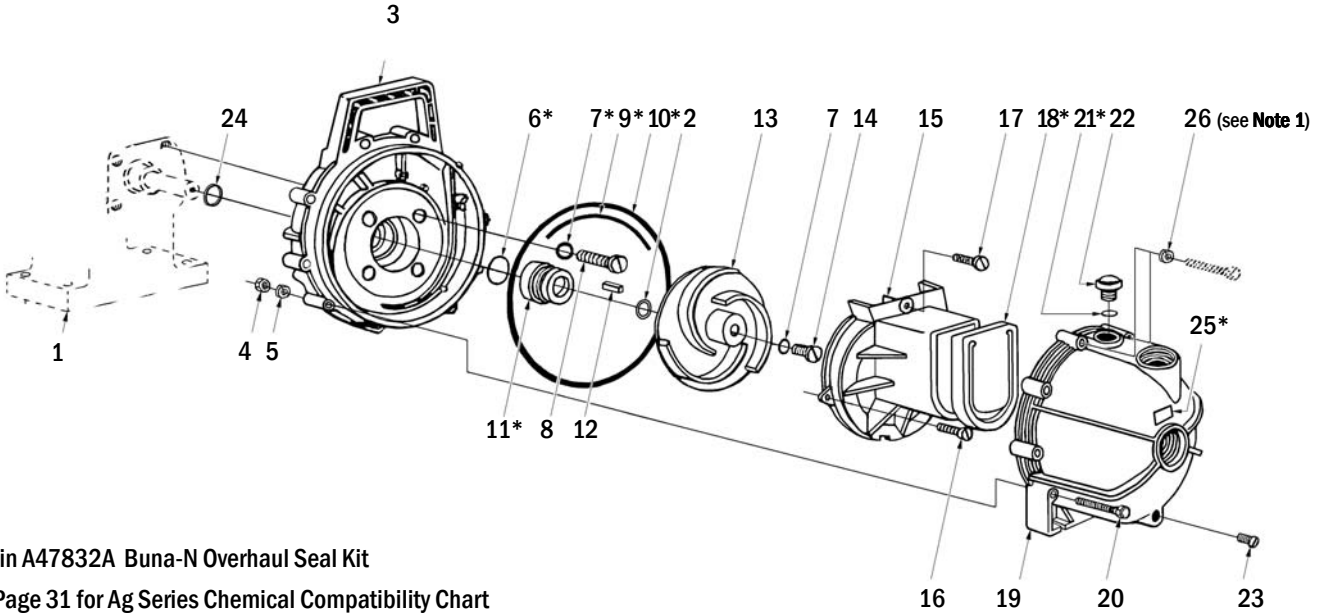
REF.	PART NO.	DESCRIPTION	QTY.
19	A 43278 A	Body [includes (2) Decals]	1
NS	08970	Decal, Fill Pump	1
NS	08971	Decal, Warning	1
20	PS 46045 A	Screw, 1/4-20 x 2-1/2"	10
*21	43316	O-Ring, Fill Plug (Buna-N)	1
22	43311 A	Filler Plug [Note: #21 O-Ring not included]	1
23	46317 A	Drain Plug	1
24	02964	Slinger	1
*25	48328	Decal, Buna-N	1
NS	09081	Decal, Safety Sign (On Engine)	1
26	43305	Street Elbow, 2"	1
27	03040	Nipple, 2"	2
NS	43307	Strainer.....	1
28	46053 A	Screw, Hex, 5/16 x 1"	3
29	80288	Screw, Hex, 5/16 x 1-3/4"	2
30	43262 1	Mounting Bar	1
31	83002	Lock Washer, 5/16"	3
32	81162	Hex Nut, 5/16-18	5
33	84046	Washer, Flat, 5/16"	8
34	A 43263	Skid Assembly (No Longer Available)	2

TORQUE SPECS

REF NO.	Inch Pounds	Newton Meters	Notes:
8	70-90	7.9-10.2	Use Loctite Red 262
14	20-25	2.3-2.8	Use Loctite Red 262
16	15-20	1.7-2.3	
17	15-20	1.7-2.3	
20	20-25	2.3-2.8	
27	140-160	15.8-18.1	
28	140-160	15.8-18.1	

OTHER PARTS & ACCESSORIES:

PART NO.	DESCRIPTION
A 43297 C	EPDM Repair Kit
A 47832 A	Buna-N Repair Kit
L 17043	Owner's Manual
43307	Strainer, 2", Plastic
19189 B	Spanner Wrench, 2"
15036	Foot Valve, 2"
15082	Reducer Bushing, 2" to 1-1/2"
A 15141	Roll Cage Kit



* Included in A47832A Buna-N Overhaul Seal Kit
Note: See Page 31 for Ag Series Chemical Compatibility Chart

Pump Wet-End Kit: **AP24WE (UT-L1633Z)**
 Includes all pump parts, Buna-N seals, no engine

REF.	PART NO.	DESCRIPTION	QTY.
1	04867 A	Engine, B&S Standard 3½ hp (AP24B)	1
	15017	Engine, B&S Powerbuilt OHV 5½ hp (AP54B)	1
	15228	Engine, Kohler OHV 5½ hp (AP54K)	1
2	42382	Shim, .010"	AR
	42383	Shim, .015"	AR
3	43270 B	Impeller Housing	1
4	81172 B	Hex Nut, 1/4 - 20	10
5	83009	Lock Washer, 1/4"	10
*6	43751	O-Ring (Buna-N)	1
*7	67900	O-Ring, Screw (Buna-N)	5
8	43302 B	Screw, Pan Head, SS (AP32B, AP62B)	4
*9	43272	O-Ring, Segment (Buna-N)	1
*10	43273	O-Ring, Body (Buna-N)	1
*11	43271	Shaft Seal (Buna-N)	1
12	43301 A	Key, 3/16 x 3/16 x 1	1

REF.	PART NO.	DESCRIPTION	QTY.
13	43274 B	Impeller	1
14	43284 B	Impeller Screw, 5/16-24 x 3/4"	1
15	43324 A	Volute	1
16	43285 C	Volute Screw, Stainless, 6-32 x 1/2"	2
17	46044 A	Volute Assembly Screw, 10-24 x 1-1/2"	AR
*18	43276 B	Check Valve (Buna-N)	1
19	A 43278 A	Body [includes (2) Decals]	1
NS	08970	Decal, Fill Pump	1
NS	08971	Decal, Warning	1
20	PS 46045 A	Screw, 1/4-20 x 2-1/2"	10
*21	43316	O-Ring, Fill Plug (Buna-N)	1
22	43311 A	Filler Plug [Note: #21 O-Ring not included]	1
23	46317 A	Drain Plug	1
24	02964	Slinger	1
*25	48328	Decal, Buna-N	1
NS	09081	Decal, Safety Sign (On Engine)	1
26	83009	Lock Washer, 1/4" (see note 1; see also #5)	2

Note 1: On AP54K (Kohler-powered pump) only, use 83009 lockwashers on the top two screws, to improve fuel tank clearance.)

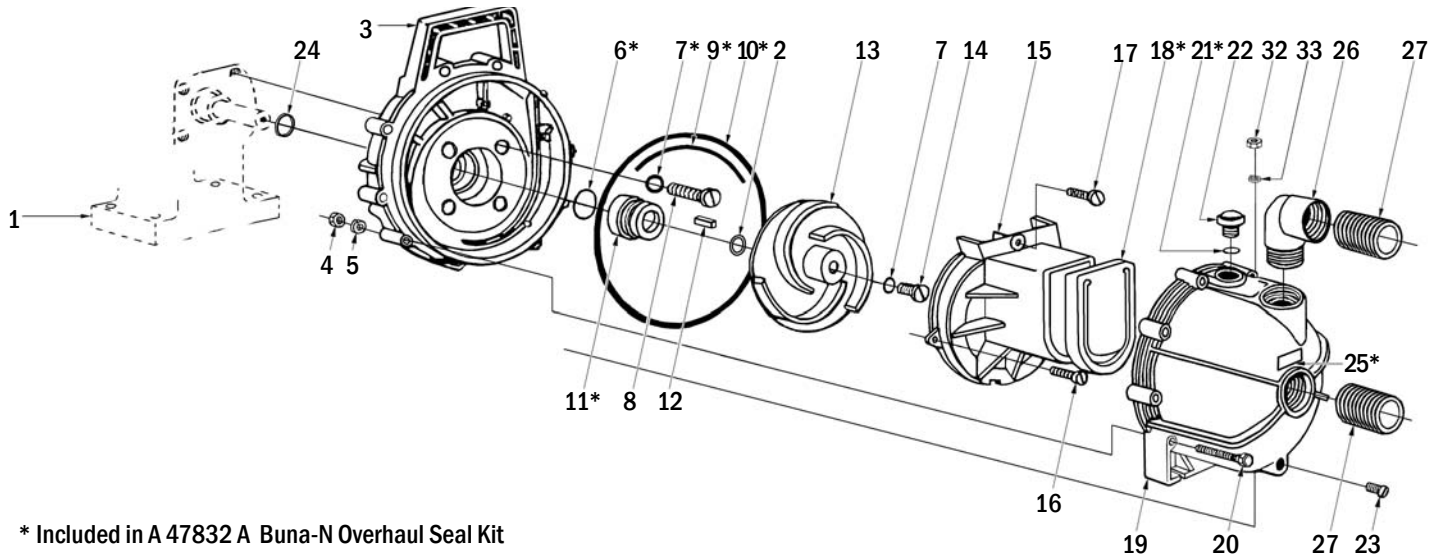
TORQUE SPECS

REF NO.	Inch Pounds	Newton Meters	Notes:
8	70-90	7.9-10.2	Use Loctite Red 262
14	20-25	2.3-2.8	Use Loctite Red 262
16	15-20	1.7-2.3	
17	15-20	1.7-2.3	
20	20-25	2.3-2.8	

OTHER PARTS & ACCESSORIES:

PART NO.	DESCRIPTION
A 43297 C	EPDM Repair Kit
A 47832 A	Buna-N Repair Kit
L 17043	Owner's Manual
43307	Strainer, 2", Plastic
19189 B	Spanner Wrench, 2"
15036	Foot Valve, 2"
15082	Reducer Bushing, 2" to 1-1/2"
A 15141	Roll Cage Kit

AP64Y (UT-L1667Z)



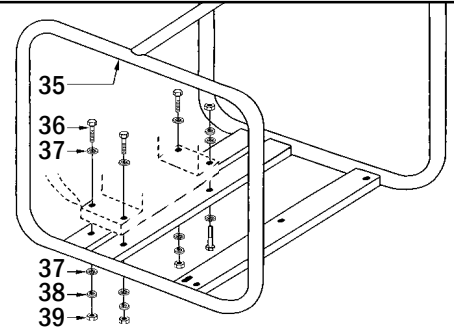
* Included in A 47832 A Buna-N Overhaul Seal Kit

Note: See Page 31 for Ag Series Chemical Compatibility Chart

REF.	PART NO.	DESCRIPTION	QTY.
1	15075	Engine, Yanmar Diesel	1
2	42382	Shim, .010"	AR
	42383	Shim, .015"	AR
3	43270 B	Impeller Housing	1
4	81172 B	Hex Nut, 1/4 - 20	10
5	83009	Lock Washer, 1/4"	10
*6	43751	O-Ring (Buna-N)	1
*7	67900	O-Ring, Screw (Buna-N)	5
8	15199 1	Screw, Pan Head, SS	4
*9	43272	O-Ring, Segment (Buna-N)	1
*10	43273	O-Ring, Body (Buna-N)	1
*11	43271	Shaft Seal (Buna-N)	1
12	43301 A	Key, 3/16 x 3/16 x 1	1
13	43274 B	Impeller	1
14	43284 B	Impeller Screw, 5/16-24 x 3/4"	1
15	43324 A	Volute	1
16	43285 C	Volute Screw, Stainless, 6-32 x 1/2"	2
17	46044 A	Volute Assembly Screw, 10-24 x 1-1/2"	AR
*18	43276 B	Check Valve (Buna-N)	1
19	A 43278 A	Body [includes (2) Decals]	1
NS	08970	Decal, Fill Pump	1
NS	08971	Decal, Warning	1
20	PS 46045 A	Screw, 1/4-20 x 2-1/2"	10
*21	43316	O-Ring, Fill Plug (Buna-N)	1
22	43311 A	Filler Plug [Note: #21 O-Ring not included]	1
23	46317 A	Drain Plug	1
24	02964	Slinger	1
*25	48328	Decal, Buna-N	1

Pump Wet-End Kit: **AP24WE (UT-L1633Z)**
Includes all pump parts (no roll cage), Buna-N seals, no engine

AP64Y Roll Cage



REF.	PART NO.	DESCRIPTION	QTY.
NS	09081	Decal, Safety Sign (On Engine)	1
26	43305	Street Elbow, 2"	1
27	03040	Nipple, 2"	2
NS	43307	Strainer	1
35	15124	Roll Cage	1
36	80098	Screw, Hex, 3/8 x 1-3/4"	4
37	84010	Washer, Flat, 3/8"	8
38	83018	Lock Washer, 3/8"	4
39	81043	Hex Nut, 3/8"	4

TORQUE SPECS

REF NO.	Inch Pounds	Newton Meters	Notes:
8	70-90	7.9-10.2	Use Loctite Red 262
14	20-25	2.3-2.8	Use Loctite Red 262
16	15-20	1.7-2.3	
17	15-20	1.7-2.3	
20	20-25	2.3-2.8	
27	140-160	15.8-18.1	
28	140-160	15.8-18.1	

Note: See Page 29 for Ag Series Chemical Compatibility Chart

OTHER PARTS & ACCESSORIES:

PART NO.	DESCRIPTION
A 43297 C	EPDM Repair Kit
A 47832 A	Buna-N Repair Kit
L 17043	Owner's Manual
43307	Strainer, 2", Plastic
19189 B	Spanner Wrench, 2"
15036	Foot Valve, 2"
15082	Reducer Bushing, 2" to 1-1/2"
A 15141	Roll Cage Kit