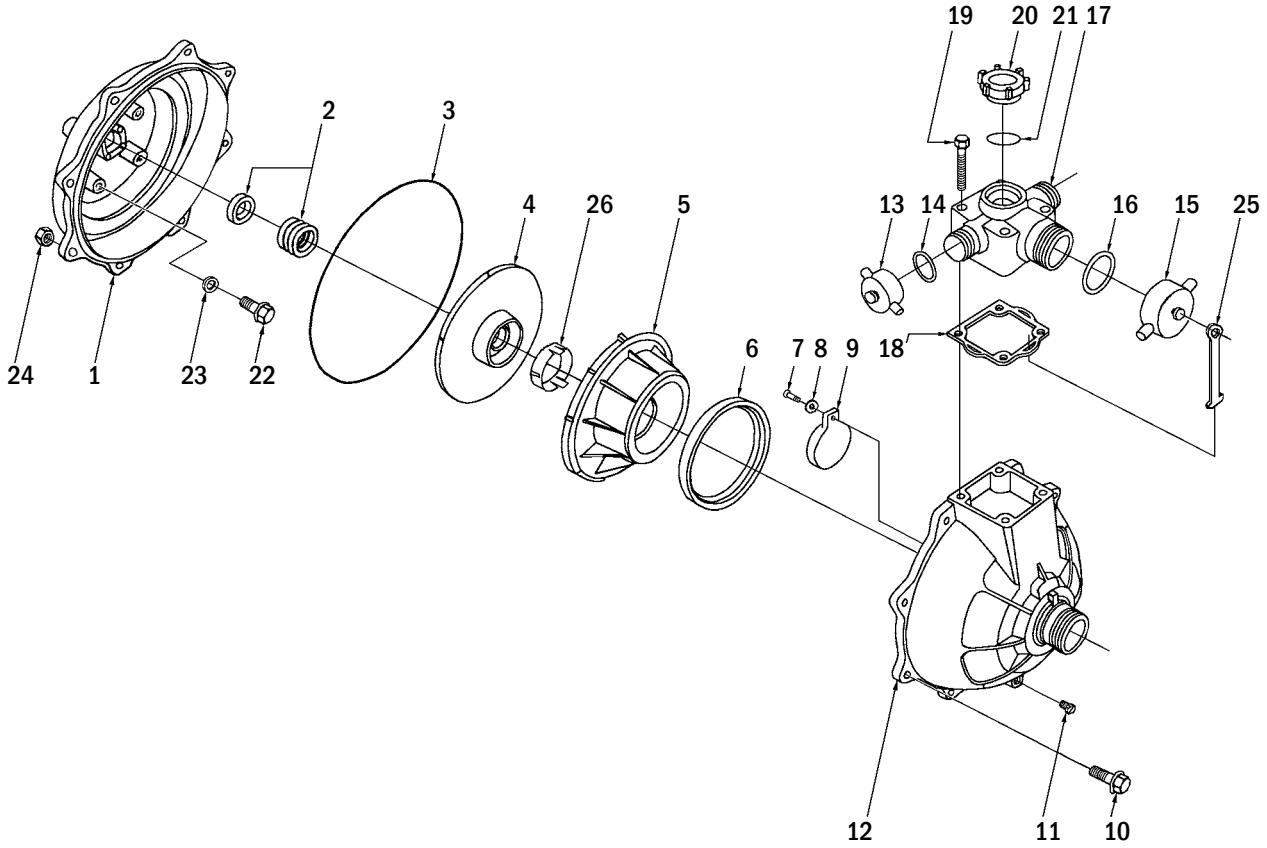
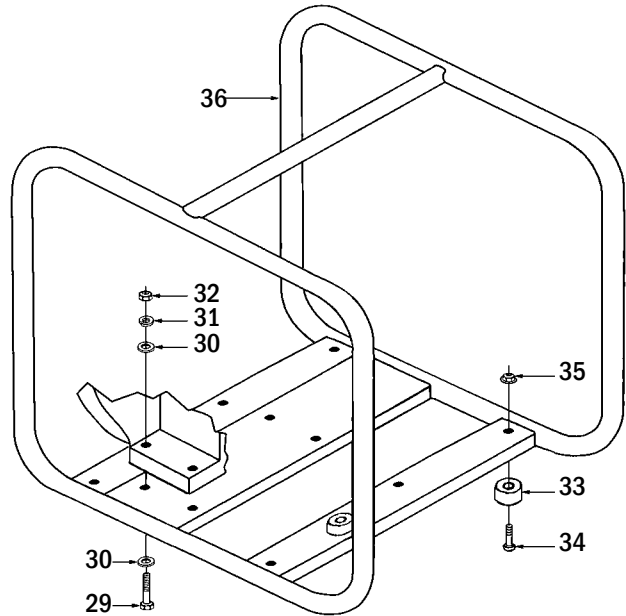


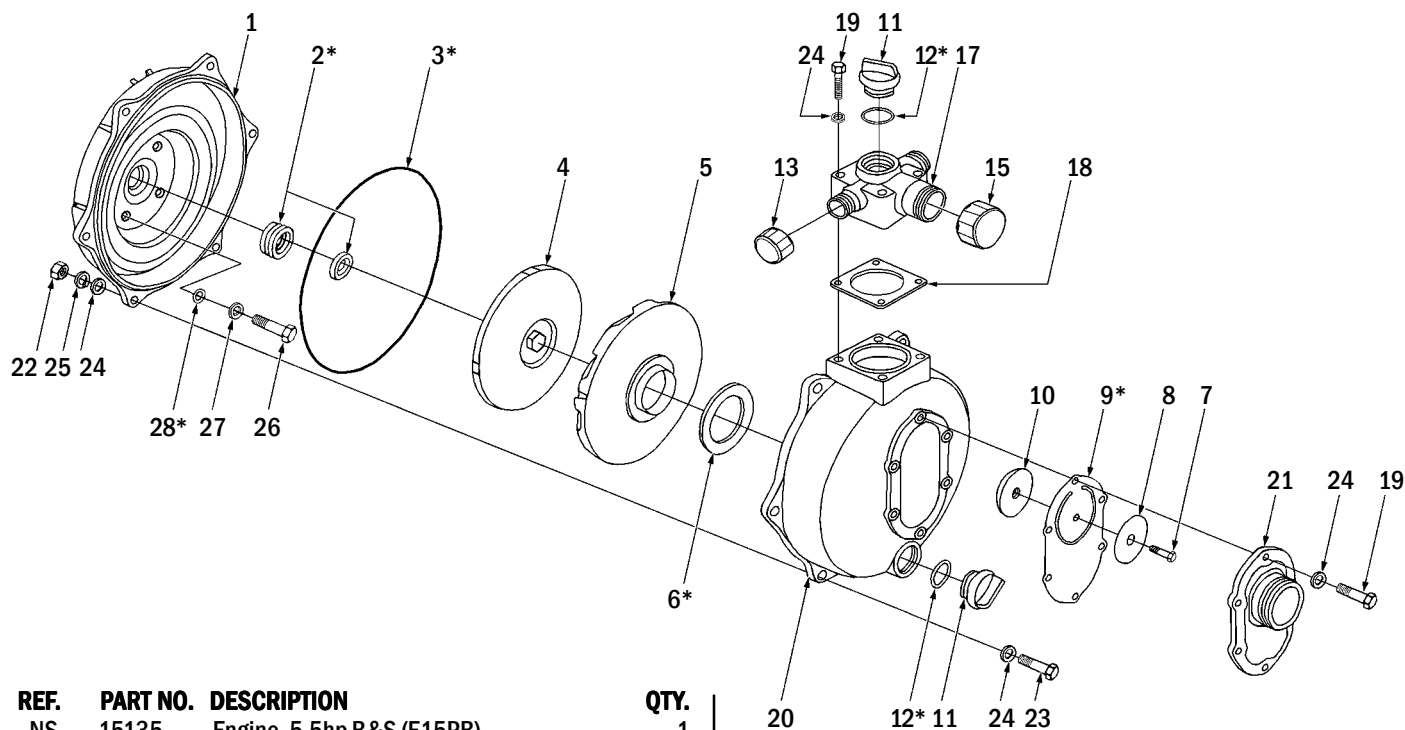
# E15PB • E15PH Series 1



REF.	PART NO.	DESCRIPTION	QTY.
NS	15135	Engine, 5.5hp B&S (E15PB) .....	1
NS	00971	Engine, Honda 5.5hp (E15PH) .....	1
1	40001	Impeller Housing .....	1
2	A 40003	Shaft Seal Assembly .....	1
3	40004	O-Ring, Large .....	1
4	40005	Impeller .....	1
5	40007	Volute .....	1
6	40008	Gasket .....	1
7	40101	Screw .....	1
8	40102	Retainer, Check Valve .....	1
9	40009	Check Valve.....	1
10	40103	Screw, 8mm x 35mm .....	8
11	40010	Drain Plug .....	1
12	40002	End Housing .....	1
13	40011	Discharge Cap, 1" .....	2
14	40012	Gasket .....	2
15	40013	Discharge Cap, 1-1/2" .....	1
16	40014	Gasket .....	1
17	40016	Discharge Fitting .....	1
18	40017	Gasket .....	1
19	40104	Screw, 8mm x 60mm .....	4
20	A 40122	Filler Plug (Includes #21) .....	1
21	40019	O-Ring .....	1
22	40105	Screw, 8mm x 40mm .....	4
23	40106	Sealing Washer .....	4
24	40107	Hex Nut .....	8
25	40015	Lanyard .....	3
26	40140	Bushing .....	1

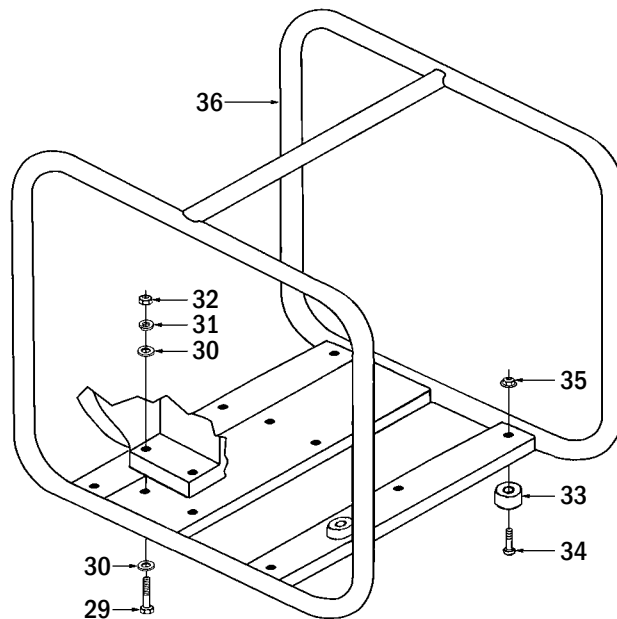


REF.	PART NO.	DESCRIPTION	QTY.
29	80087	Screw, 5/16 x 1-1/2 .....	4
30	84032	Washer, Flat, 5/16 .....	8
31	83002	Lock Washer, 5/16 .....	4
32	81162	Nut, Hex 5/16 .....	4
33	40063	Rubber Foot .....	4
34	40113	Screw, Phillips, .....	4
35	40114	Nut, .....	4
36	40062	Roll Cage .....	1



REF.	PART NO.	DESCRIPTION	QTY.
NS	15135	Engine, 5.5hp B&S (E15PB) .....	1
NS	00971	Engine, Honda 5.5hp (E15PH) .....	1
1	40128	Impeller Housing .....	1
*2	A 40156	Shaft Seal Assembly .....	1
*3	40130	O-Ring, Large .....	1
4	40131	Impeller .....	1
5	40132	Volute .....	1
*6	40133	Gasket .....	1
7	40134	Screw .....	1
8	40135	Retainer, Check Valve .....	1
*9	40136	Check Valve .....	1
10	40143	Weight, Check Valve .....	1
11	A 40141	Drain & Fill Plug (Includes #12) .....	2
*12	40019	O-Ring .....	2
13	40147	Discharge Cap, 1" .....	1
*14	40012	Gasket .....	2
15	40148	Discharge Cap, 1-1/2" .....	1
*16	40014	Gasket .....	1
17	40149	Discharge Fitting .....	1
*18	40139	Gasket .....	1
19	40110	Screw, 8mm x 25mm .....	10
20	40138	End Housing .....	1
21	40145	Suction Fitting .....	1
22	40107	Hex Nut, 8mm .....	6
23	40105	Screw, 8mm x 40mm .....	6
24	40142	Washer, Flat, 8mm .....	16
25	40144	Lock Washer, 8mm .....	6
26	40111	Socket Head Screw, 5/16-24 x 1-1/4 .....	4
27	40146	Washer, Flat, 8mm .....	4
*28	62874	Sealing Washer .....	4
29	80087	Screw, 5/16 x 1-1/2 .....	4
30	84032	Washer, Flat, 5/16 .....	8
31	83002	Lock Washer, 5/16 .....	4
32	81162	Nut, Hex 5/16 .....	4
33	40063	Rubber Foot .....	4
34	40113	Screw, Phillips .....	4
35	40114	Nut .....	4
36	40154	Roll Cage .....	1

\* Included in A 40150 Overhaul Seal Kit



**OTHER PARTS & ACCESSORIES:**

PART NO.	DESCRIPTION
A 40150	Overhaul Seal Kit
L 24039	Owner's Manual
15136	Foot Valve, 1-1/2"
62699	Strainer, Steel, 1-1/2"