

* Included in A 48374 B Overhaul Seal Kit

REF.	PART NO.	DESCRIPTION	QTY.
NS	15013	Engine, B&S Intek Pro 8hp	1
NS	15125	Engine, B&S Intek Pro 10hp	1
2	81043	Nut, 3/8-16	4
3	83018	Lock Washer, 3/8"	8
4	62980 2A	Impeller Housing	1
5	67908	Spirol Pin	1
*6	62688	Slinger	1
*7	62713 1A	Seal Assembly	1
8	75909	Seal Shim, .010"	AR
	75910	Seal Shim, .015"	AR
9	62408	Spacer	1
10	54067 3	Impeller	1
*11	62927	Gasket, Large	2
12	62926 2A	Wear Plate	1
*13	62928	Gasket, Small	1
14	A 43971	Filler Plug [includes #15]	1
*15	18108	Gasket	1
16a	A 09132	End Housing [includes #17a - 20]	1
17a	74343 1	Suction Nipple, 3" NPT Close	1
18a	54289 1	Discharge Nipple, 3" NPT x 4"	1
19	08970	Decal, Fill Pump	1
20	08971	Decal, Warning	1
16b	A 15181	End Housing BSP [includes #17b - 20]	AR
17b	15175	Suction Nipple, 3" NPT/BSP	AR
18b	74676 1	Discharge Nipple, 3"x4" NPT/BSP	AR
19	08970	Decal, Fill Pump	1
20	08971	Decal, Warning	1
21	A 43896	Drain Plug [includes #22]	1
*22	59910	Gasket	1
23	09081	Decal, Safety Sign (On Engine)	1
24	30679	Stud	4
25	80097	Bolt, 3/8-16 x 1-1/2"	2
26	82630	Screw, Hex Head, 3/8-16 x 2"	2
NS	74454 A	Suction Strainer, 3"	1

OTHER PARTS & ACCESSORIES:

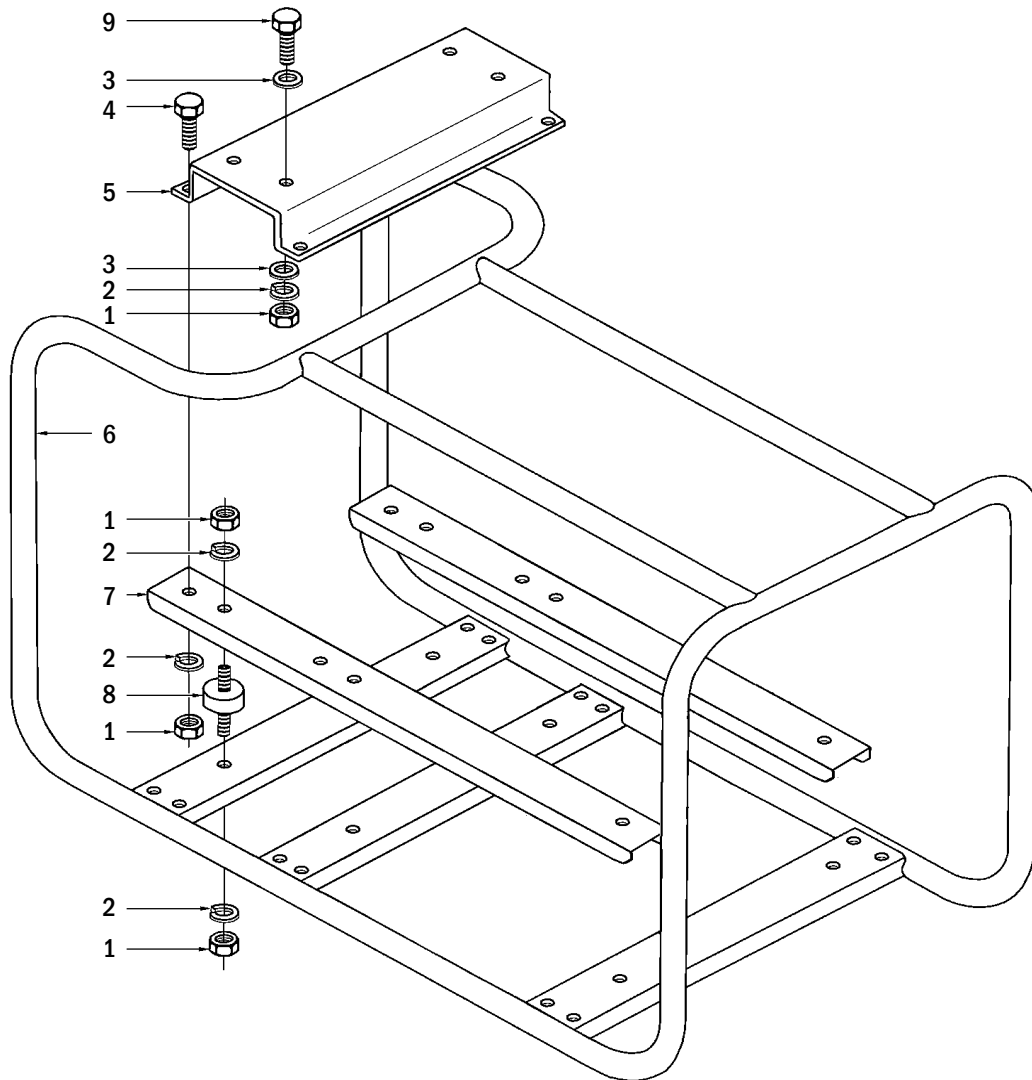
PART NO.	DESCRIPTION
A 48374 B	Overhaul Seal Kit
74454 A	Suction Strainer, 3"
15037	Foot Valve, 3"
A 15061	Spanner Wrench Kit, 3"
A 15043	Dolly Kit

Note:
This pump is not in current Riverside Pumps production. Many service parts are available, but some are not. Please inquire by part number for availability information.

Pump Wet-End Kit: **S3WE (UT-L1629Z)**
 Includes all pump parts, no engine, no roll cage

TORQUE SPECS

REF NO.	Inch Pounds	Newton Meters	Notes:
24, 25, 26	220-260	24.9-29.4	



Note:
This pump is not in current Riverside Pumps production. Many service parts are available, but some are not. Please inquire by part number for availability information.

REF.	PART NO.	DESCRIPTION	QTY.
1	81162	Hex Nut, 5/16-18	20
2	83002	Lock Washer, 5/16"	20
3	84046	Flat Washer, 5/16"	8
4	80085	Hex Head Screw, 5/16-18 x 1"	4
5	42121 1A	Engine Bracket	1
6	A 07952	Roll Cage	1
7	07958	Engine Channel	2
8	49367	Vibration Isolator	6
9	80288	Hex Head Screw, 5/16-18 x 1-3/4"	4

TORQUE SPECS

REF NO.	Inch Pounds	Newton Meters	Notes:
1	130-145	14.7-16.4	
4	205-225	23.2-25.4	17-18.8 Lbs.-Ft.
9	160-200	18.1-22.6	