

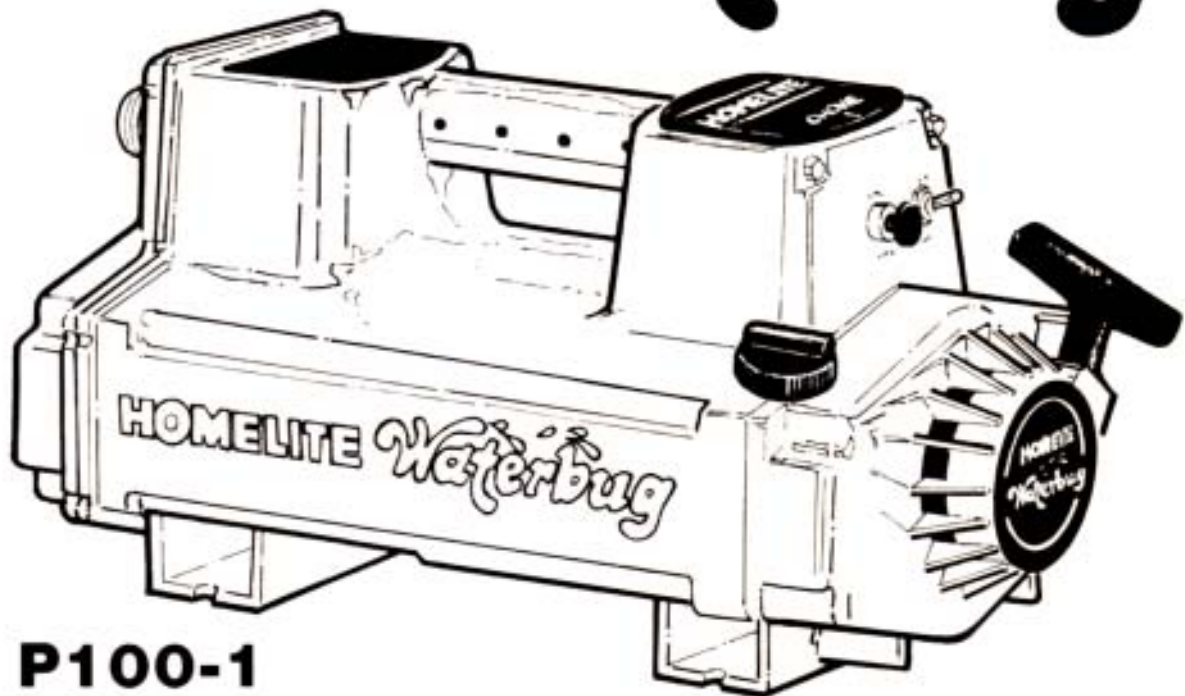
REV. 1
PART NO. 17647
Printed in U.S.A.
Price 35¢

HOMELITE[®]
JACOBSEN

Parts List

HOMELITE[®]

Waterbug



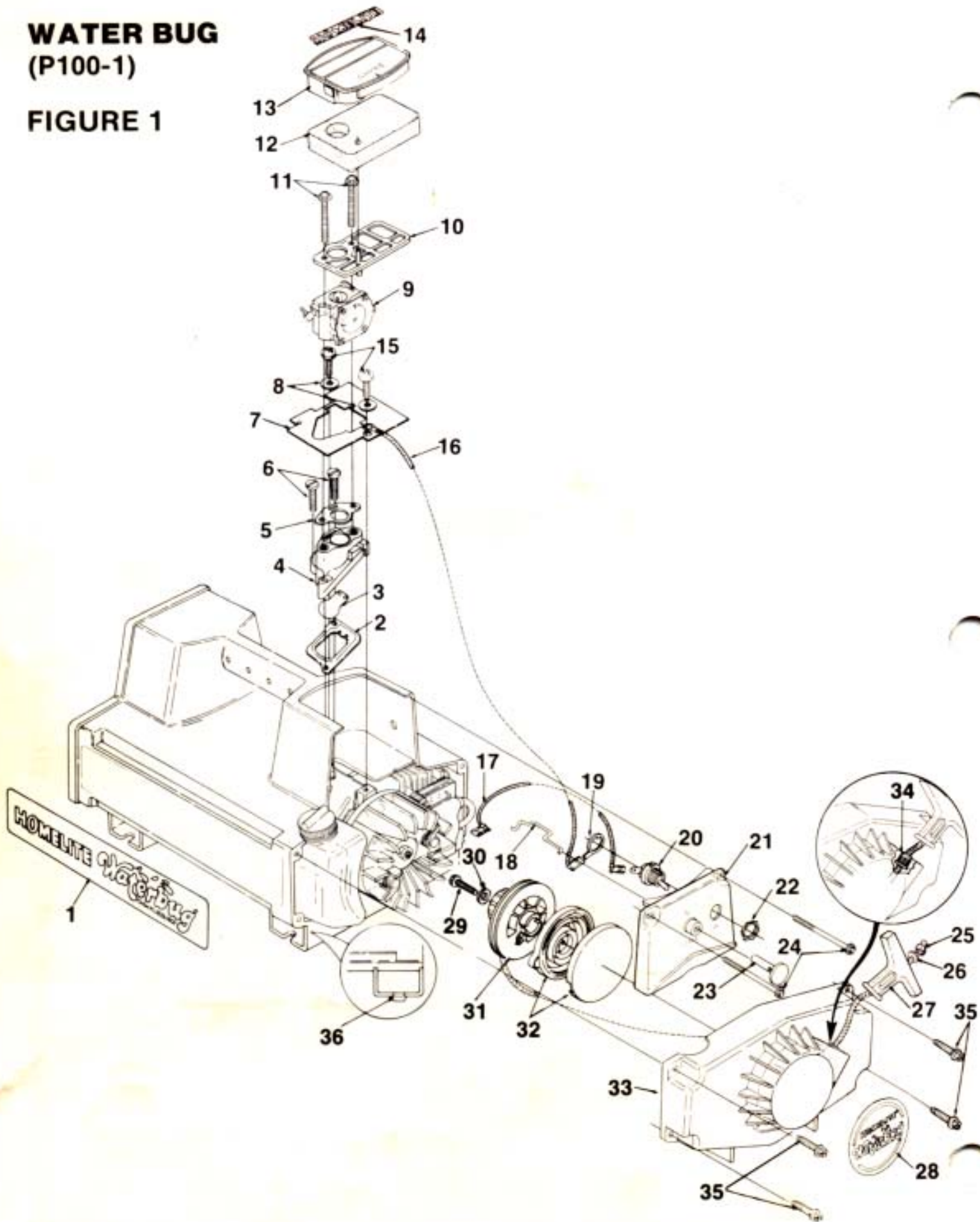
P100-1

HOMELITE **TEXTRON**

Homelite Division of Textron Inc.

WATER BUG (P100-1)

FIGURE 1



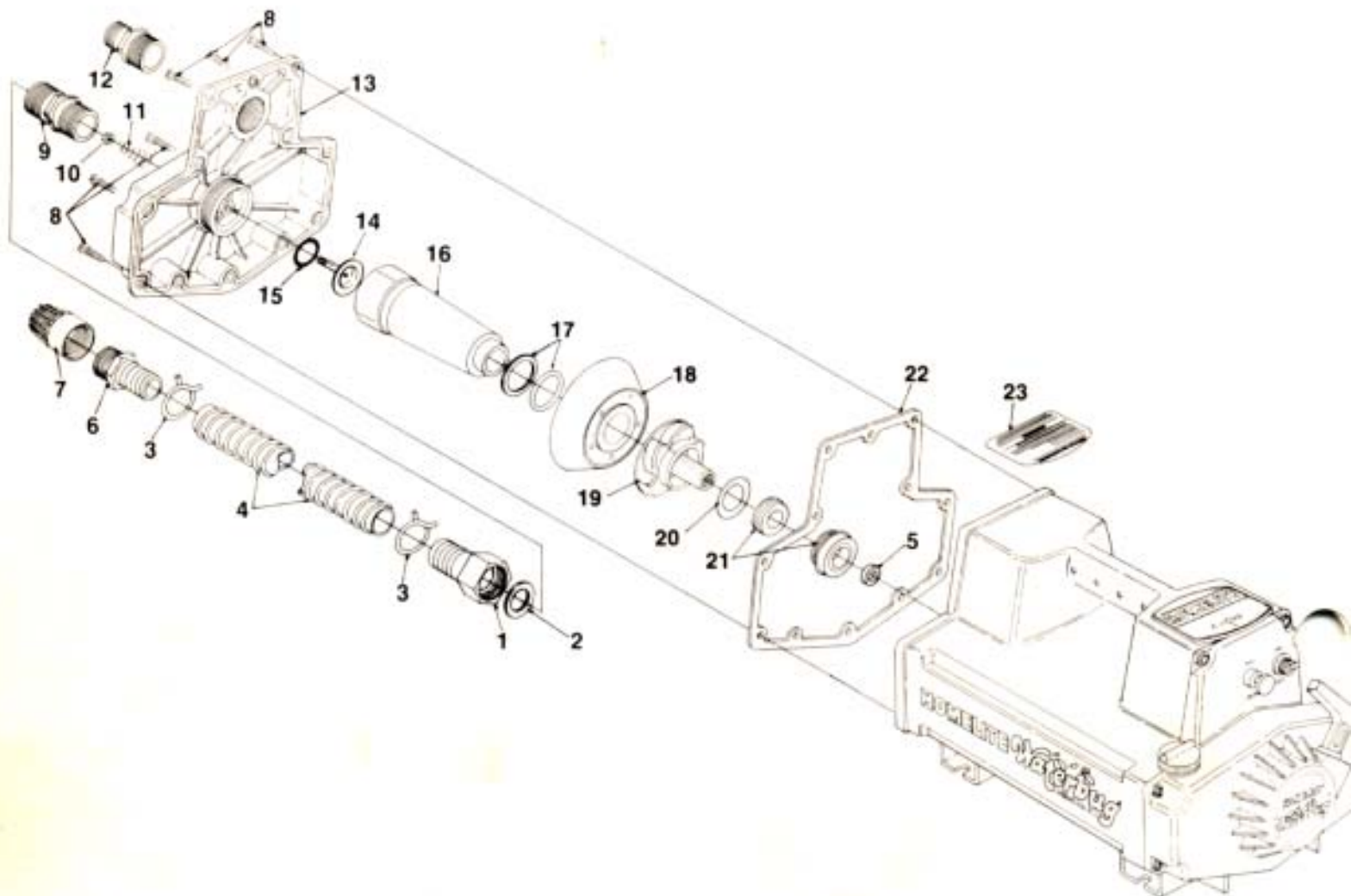
WATER BUG (P100-1)

NO.	DESCRIPTION	PART NO.	QTY.	NO.	DESCRIPTION	PART NO.	QTY.
1	DECAL- Waterbug (10")	48455	1	23	BUTTON- Choke	94451	1
	DECAL- Homelite P-100 (International)	48452	1	24	SCREW (#8 x 2 3/8) thread forming	47829	2
2	GASKET- Housing	97090	1		KIT- Starter housing	A-97999	1
3	REED	95983	1		Includes:		
4	SPACER- Carburetor	94454-A	1	25	ROPE- Starter 3 1/2 46" L. After Lot #G-060 (Note 1)	97899	1
5	GASKET- Carburetor	65016	1	26	WASHER- Flat #8	84025	1
6	SCREW (10-24 x .812)	93934	2	27	GRIP- Starter	70211	1
7	BAFFLE- Air	48868	1	28	DECAL- Housing (waterbug)	48453	1
8	WASHER	58763	1		DECAL- Housing (P-100)		
9	CARBURETOR (Walbro HDC #72)	A-48870	1		International	48450	1
10	SUPPORT- Air filter	94457	1	29	SCREW- (Thread forming #10 x .750)	70771	1
11	SCREW- Hex sems (10-24 x 1 3/4)	88056	2	30	WASHER- Retaining	94062	1
12	FILTER- Air	94456	1	31	PULLEY- Starter (Note 1)	97768	1
13	COVER- Filter	A-94489	1	32	SPRING & CONTAINER	A-97908	1
	Includes:			33	HOUSING- Starter	A-94477-C	1
14	DECAL	78290	1		Includes:		
15	SCREW	48599-1	2	34	BUSHING- Housing	A-97796	1
16	LEAD- Ground	A-47807	1	35	SCREW- Thread forming (8-16 x 3/4)	82368	4
17	LEAD- Electrical	A-47806	1	36	BUMPER- Adhesive	48506	4
18	ROD- Choke	94428	1				
19	WASHER- Grounding	70845	1				
20	SWITCH- Toggle	93653	1				
21	COVER- Carburetor chamber	47804	1				
22	NUT	72084-A1	1				

NOTE 1: Starter rope 96648-1 (prior to lot #G-060) is not to be used with double-wrap pulley 97768.

WATER BUG (P100-1)

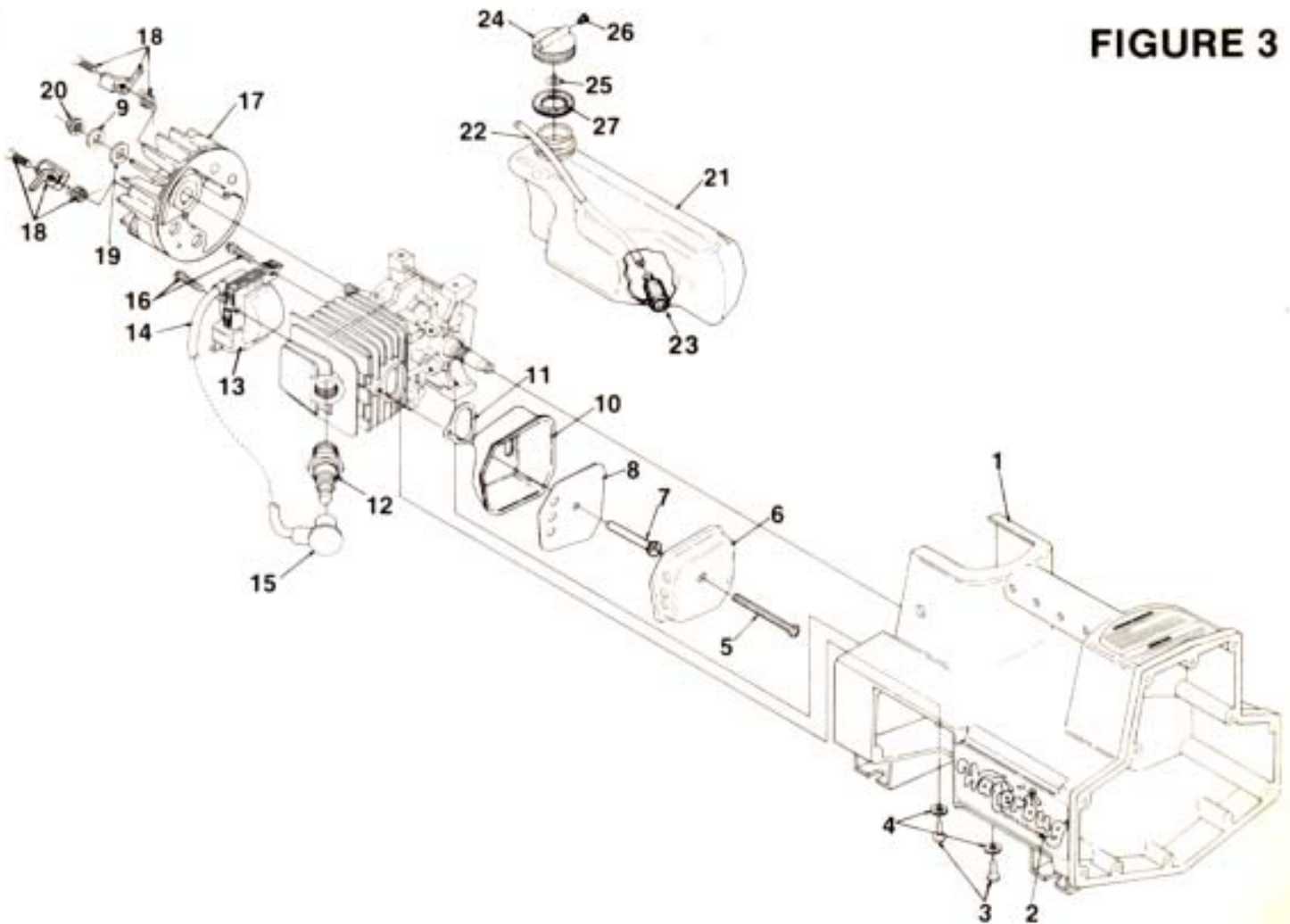
FIGURE 2



NO.	DESCRIPTION	PART NO.	QTY.	NO.	DESCRIPTION	PART NO.	QTY.
1	COUPLING- Female Includes:	A-48388	1	14	POPPET- Check valve Includes:	A-48653	1
2	GASKET- Coupling	48391	1	15	"O" RING (E.P.D.M.)	48760	1
3	CLIP- Hose	48462	2	16	TUBE- Inlet	47797	1
4	HOSE- 12 1/2 ft.	48461-01	1	17	"O" RING	47823	1
5	COLLAR	48660	2	18	"O" RING (E.P.D.M.)	48763	1
6	COUPLING- Male	48614	1	19	VOLUTE	47952	1
7	STRAINER	48332	1	20	IMPELLER (left handed threaded)	A-47958-A	1
8	SCREW- Hex washer	82497	6	21	SHIM	48434	A/R
9	NIPPLE- 1" 11 1/2 NPT (both ends)	48385	1	22	SEAL- Shaft (Buna-N)	43271	1
10	NUT- Hex locking	47953	1	23	SEAL- Shaft (E.P.D.M.)	43303-A	1
11	SPRING- Compression	47956	1		GASKET- Pump (E.P.D.M.)	48764	1
12	NIPPLE- Reducer (1" to 3/4")	48386	1		GASKET- Pump cover (Buna-N)	47802	1
13	COVER- Pump	47506-1	1		DECAL- Starter instruction	48505-A	1

WATER BUG (P100-1)

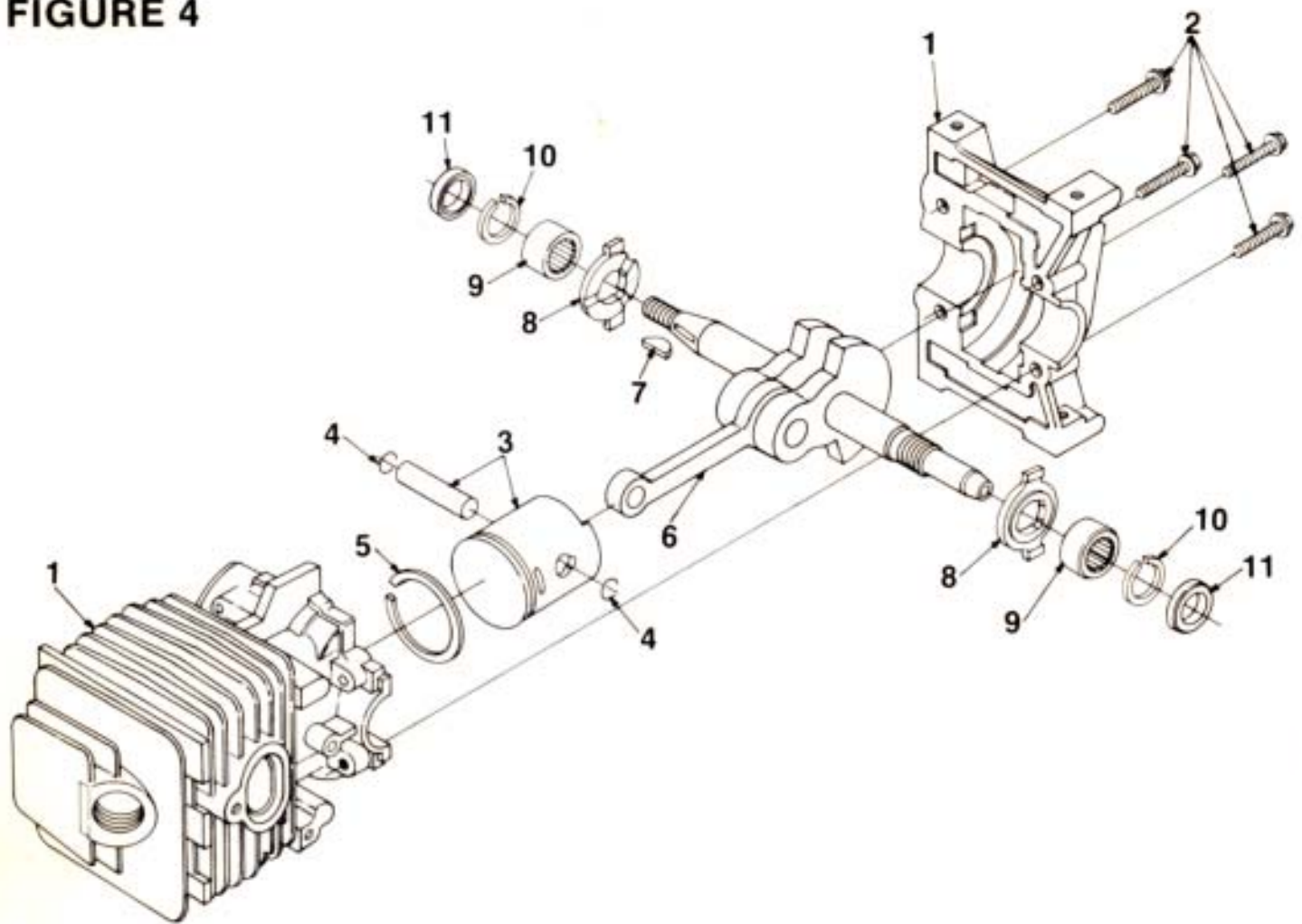
FIGURE 3



NO.	DESCRIPTION	PART NO.	QTY.	NO.	DESCRIPTION	PART NO.	QTY.
1	BODY- Pump & Engine	47544	1	15	TERMINAL	A-33055	1
2	DECAL- Waterbug (4.9")	48454	1	16	SCREW- Hex washer (8-32 x 3/4)	82248	2
	DECAL- P-100 (4.9") (international)	48451	1	17	ROTOR- (W/starter pawl)	A-95007	1
3	SCREW	48599-1	4		Includes:		
4	WASHER	58763	4	18	PAWL- Starter	A-70285-D	2
5	SCREW- Hex sems	93460	1	19	WASHER- Flat	84065	1
6	CAP- Muffler	47556	1	20	NUT	81117	1
7	SPACER	93983-08	1	21	TANK- Fuel	A-47800	1
8	BAFFLE- Muffler	48161-A	1		Includes:		
9	WASHER- Lock	83002	1	22	TUBING- Rubber	94772-32	1
10	BODY- Muffler	93986	1	23	FILTER- Fuel	96639	1
11	GASKET- Muffler	93801	1	24	CAP- Fuel	A-94495	1
12	SPARK PLUG (DJ7J)	68616-S	1		Includes:		
13	MODULE- Ignition	94711-A	1	25	VALVE- Check	94531-1	1
	Includes:			26	FILTER- Fuel cap	69454	1
14	LEAD- High tension	69326	1	27	GASKET- Fuel cap	94494	1

WATER BUG (P100-1)

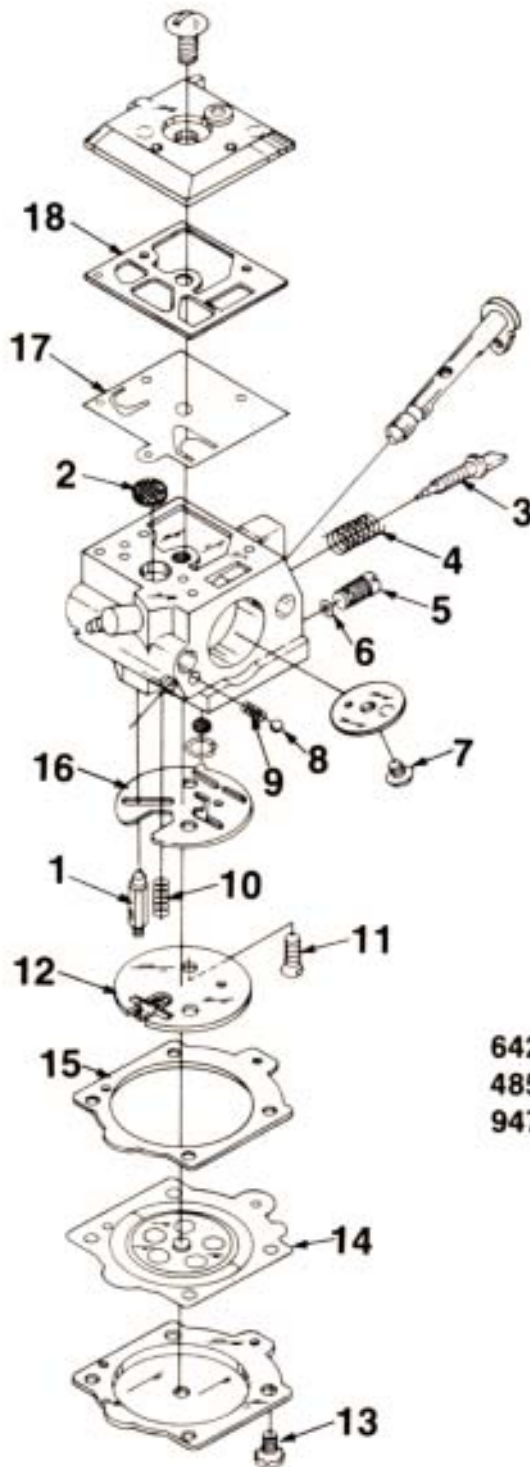
FIGURE 4



NO.	DESCRIPTION	PART NO.	QTY.
1	CRANKCASE & CYLINDER Includes:	A-47959-1	1
2	SCREW- Hex sems (8-32 x 1)	88044	4
3	PISTON & PIN Includes:	A-69393	1
4	RING- Piston pin retaining	65261	2
5	PISTON RING (Primary source)	69312	1
	PISTON RING (Alternate source)	69312-A	1
6	CRANKSHAFT Assembly Includes:	A-94992	1
	NUT	81112	1
7	KEY- Magneto	69250	1
8	WASHER- Thrust	47987	2
9	BEARING- Needle	12530	2
10	SPACER- Seal	69407	2
11	SEAL- Shaft	94638	2

WATER BUG
(P100-1)

FIGURE 5



CARBURETOR
WALBRO #HDC-72
A-48870

- | | |
|-------|------------------------------------|
| 64229 | VALVE- Inlet needle (item #1) |
| 48533 | OEM Repair kit (item #1-13) |
| 94701 | GASKET/DIAPHRAGM KIT (item #14-18) |

ACCESSORIES

A-48467 (opt.)	HOSE & FITTING (25 ft.)
	Includes:
48387	COUPLING- Male
A-48388	COUPLING- Female
	Includes:
48391	GASKET- Coupling
48461-01	HOSE
48462	CLIP- Hose
48572	PUDDLE- Sucker
48712	COUPLING
A-48757	EPDM KIT
	Includes:
43303-A	SEAL- Shaft
48760	"O" RING
A-48758	VITON KIT
A-48759	BUNA-N-KIT
	Includes:
43271	SEAL- Rotary
47802	GASKET
97135	CORD- Starter (#4 sizes) (250' Reel)

HOMELITE DIVISION OF TEXTRON INC.

P.O. Box 7047
14401 Carowinds Boulevard
Charlotte, N.C. 28217

OVERSEAS OFFICES

HOMELITE DIVISION OF TEXTRON INC.

Koreenaarstraat 1
2153 BM Nieuw Vennep
The Netherlands

HOMELITE DIVISION OF TEXTRON INC.

Pacific Limited
P.O. BOX 209
Blackburn, 3130
Victoria, Australia

HOMELITE **TEXTRON**

Homelite Division of Textron Inc.