

PARTS LIST

HOMELITE **XL-Pump**

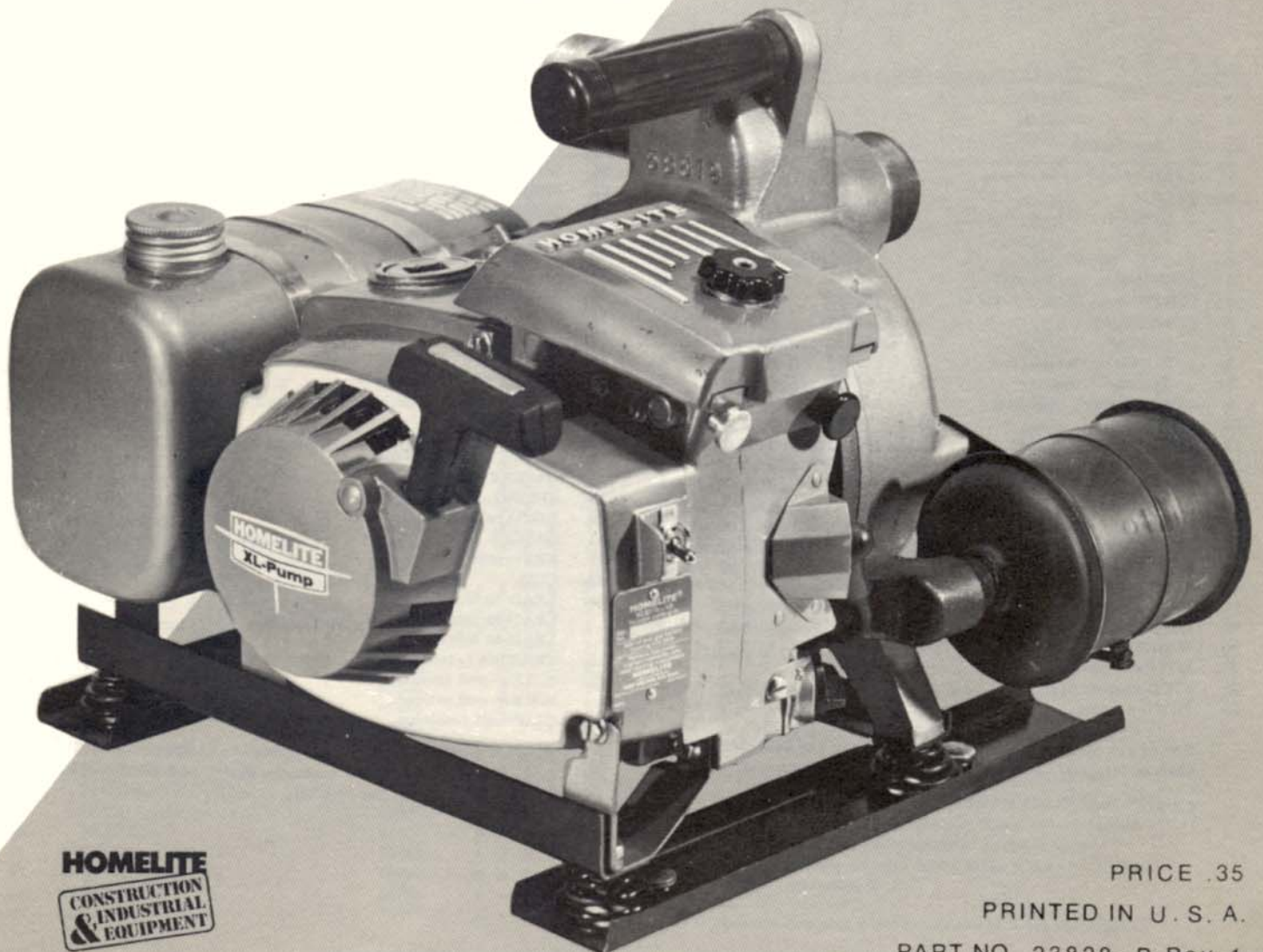
MODELS

XLS 1½ - 1

XLS 1½ - 1A

XLS 1½ - 3

XLS 1½ - 4



HOMELITE
CONSTRUCTION
& INDUSTRIAL
EQUIPMENT

PRICE .35

PRINTED IN U. S. A.

PART NO. 23828-B Rev. 1

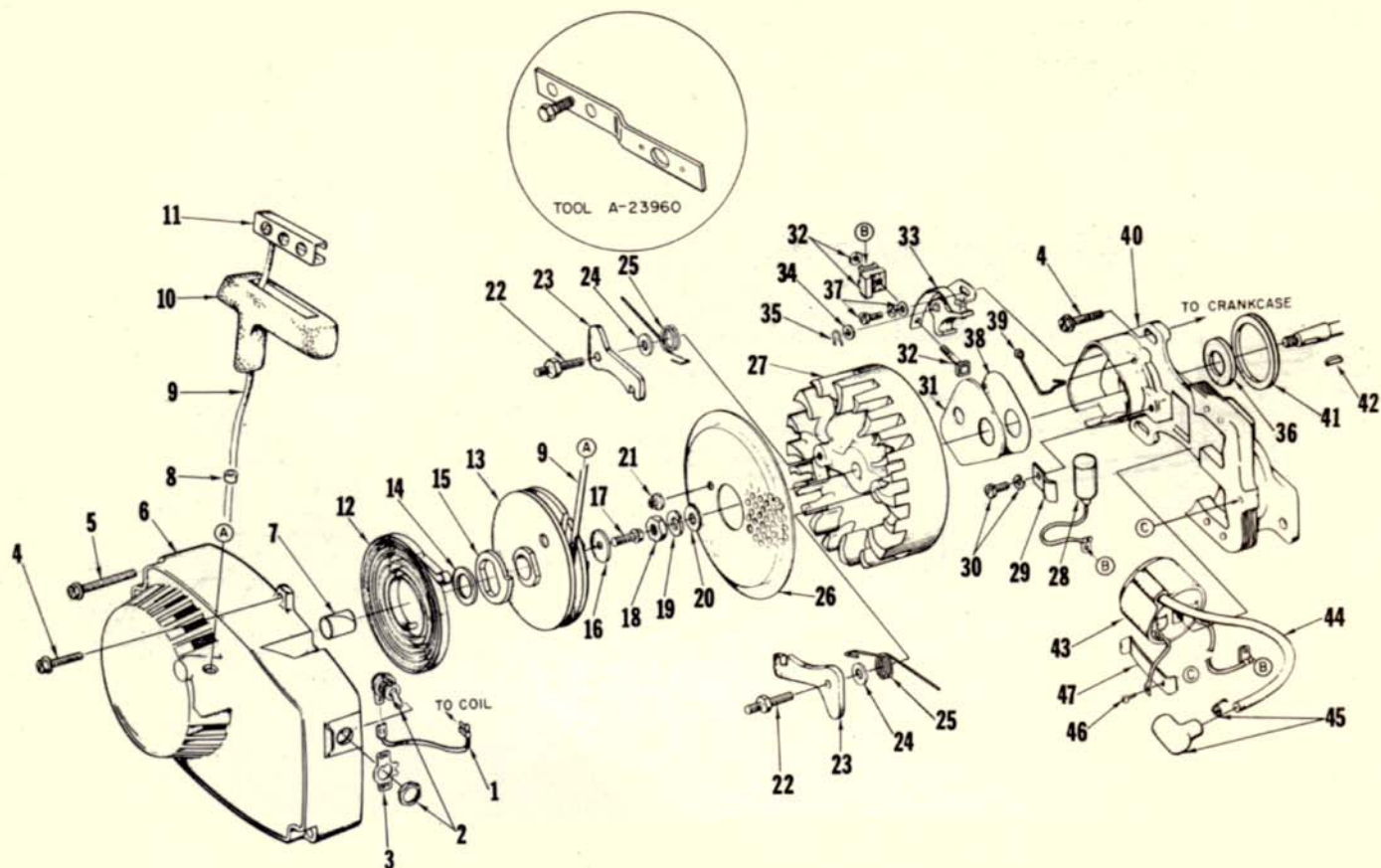


FIGURE 1

No.	Description	Part No.	1	1A	3	†	Qty.	No.	Description	Part No.	1	1A	3	†	Qty.
1	LEAD-ground w/terminals	§ A-59031	x	x	x	x	1	24	WASHER	83056	x	x	x	x	2
2	SWITCH	A-57650-3	x	x	x	x	1	25	SPRING-starter pawl	65375-2	x	x	x	x	2
	Includes:							26	SCREEN-starter	58765	x	x			1
	NUT	72084-1A	x	x	x	x	1	27	ROTOR-magneto	58809	x	x	x	x	1
3	PLATE-"on-off"	72085-A	x	x	x	x	1	28	CONDENSER	63250	x	x	x	x	1
4	SCREW-hex, 12-24 x 5/8	80676	x	x	x	x	4	29	CLAMP-condenser	59622	x	x	x	x	1
5	SCREW-hex, 12-24 x 1-11/16	58963	x	x	x	x	1	30	SCREW GROUP-condenser	30261	x	x	x	x	1
6	HOUSING-fan	A-64518	x	x	x	x	1	31	COVER-breaker box	58811	x	x	x	x	1
	Includes:							32	TERMINAL BLOCK GROUP	A-58934	x	x	x	x	1
7	BUSHING-starter post	64443	x	x	x	x	1	33	POINT SET	A-58914	x	x	x	x	1
8	BUSHING-rope	67177	x	x	x	x	1		Includes:						
9	ROPE-starter, 48" long	58806	x	x	x	x	1	34	WASHER-point	28028	x	x	x	x	1
10	GRIP-rope	58915	x	x	x	x	1	35	CLIP-point	28008	x	x	x	x	1
11	INSERT-rope retaining	58847	x	x	x	x	1	36	SEAL-felt	59760	x	x	x	x	1
12	SPRING-recoil	58764-A	x	x	x	x	1	37	SCREW GROUP-points	76421	x	x	x	x	1
13	PULLEY-starter	A-64446	x	x	x	x	1	38	GASKET-cover	58810	x	x	x	x	1
	Includes:							39	SPRING-cover	76413	x	x	x	x	1
14	BUSHING-spring lock	64400	x	x	x	x	1	40	BOX-breaker	58875-A	x	x	x	x	1
15	LOCK-spring	64049-A	x	x	x	x	1	41	GASKET	59538	x	x	x	x	1
16	WASHER-retaining	58763	x	x	x	x	1	42	KEY-rotor	75078	x	x	x	x	1
17	SCREW-hex, 10-42 x 1/2	80648	x	x	x	x	1	43	COIL	58874	x	x	x	x	1
18	NUT-hex, 5/16-24	81117	x	x	x	x	1	44	LEAD-hi tension	‡ 54972	x	x			1
19	WASHER-lock, 5/16	83002	x	x	x	x	1		LEAD-hi tension	54408			x		1
20	WASHER-flat, 5/16	84056	x	x	x	x	1		LEAD-hi tension	58966	x				1
21	NUT-hex, lock, 10-32	81109-2	x				2	45	TERMINAL-(see note 1)	A-33055	x	x		x	1
22	STUD-starter pawl	58757-D	x	x	x	x	2	46	SCREW-coil ground	64090	x				1
23	PAWL-starter	58756	x	x	x	x	2	47	SCREW-coil ground	58872		x	x	x	1
									CLIP-coil retaining	63726	x	x	x	x	1

‡ 3" of #20 insulated, stranded wire with one straight (1/4") snap-on terminal, and one flat (3/16") snap-on terminal.

† 8-1/2" 7mm (O.D.) hi tension cable

Note 1 - units below serial No. 2268250 should use 59654-S Spark Plug 58919 connector spring and 58918 Spark Plug Boot. Set Plug Gap to .035".

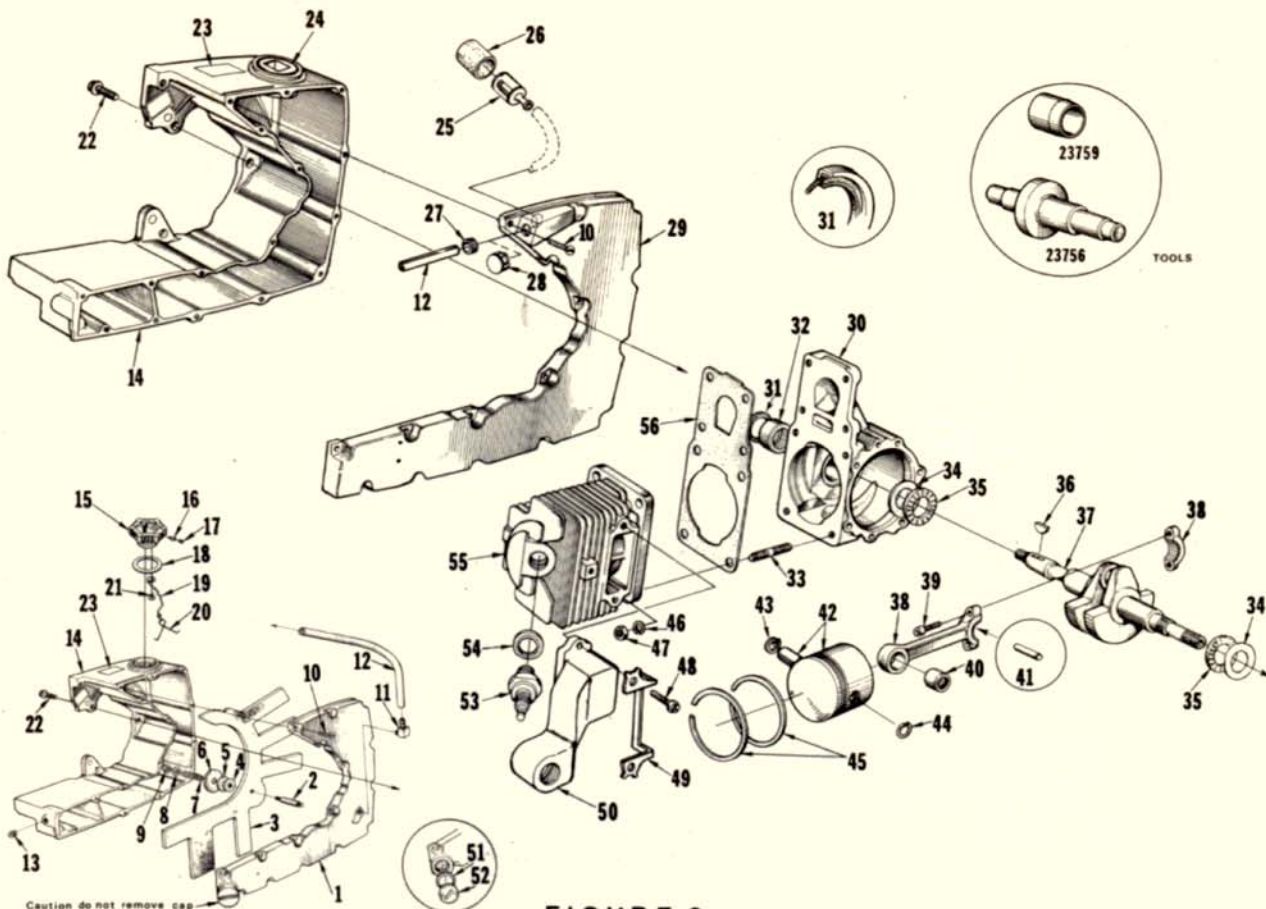


FIGURE 2

No.	Description	Part No.	1	1A	2	3	4	Qty.	No.	Description	Part No.	1	1A	2	3	4	Qty.
1	COVER-fuel tank	A-63271	x	x				1	37	CRANKSHAFT	58439-1	x					1
2	STUD-wick	58519	x	x				1		CRANKSHAFT	63497-1			x	x	x	1
3	WICK-fuel pick-up	58862	x	x				1	*38	CONNECTING ROD	A-67745-B	x					1
4	GASKET	58865	x	x				1	*	CONNECTING ROD	A-63477-B			x	x	x	1
5	WASHER-felt	59457	x	x				1		Includes:							
6	WASHER-wick	58866	x	x				1	39	SCREW-soc. hd., 8-36 x 1/2	69919	x	x	x	x		2
7	SPRING-compression	58867	x	x				1	40	BEARING-needle	58724	x	x	x	x		1
8	WASHER-flat #10	84003-1	x	x				1	41	ROLLERS-set (28)	A-58864	x					1
9	NUT-lock, 10-32	81109-2	x	x				1		ROLLERS-set (31)	A-69054			x	x	x	1
10	SCREW-rd. hd., 6 x 1/2	80513	x	x	x	x		16	42	PISTON & PIN	A-58903-C	x	x	x	x		1
11	ELBOW	59642	x	x				1		Includes:							
12	FUEL LINE-flexible	54284				x		1	43	RING-retaining (snap)	75120	x	x	x	x		1
13	PLUG-pipe	59571	x	x	x	x		1	44	RING-retaining (wire)	64813	x	x	x	x		1
14	TANK-fuel & oil (see note 1)	A-68396	x	x	x	x		1	45	PISTON RING	58877	x	x	x	x		2
15	Includes: CAP-fuel filler	A-69500	x	x	x	x		1	46	WASHER-lock, 1/4	83009	x	x	x	x		4
	Includes:								47	NUT-1/4-28	81065-2	x	x	x	x		4
16	VALVE-check (oval duckbill)	69451	x	x	x	x		1	48	SCREW-hex hd., 12-24 x 3/4	82189	x	x	x	x		2
17	FILTER-filler cap	69454	x	x	x	x		1	49	BRACKET-locking (see note 4)	64116-1	x	x	x	x		1
18	GASKET-fuel cap	69501	x	x	x	x		1	50	MANIFOLD	59548-1	x	x	x	x		1
19	CHAIN-bead	69502	x	x	x	x		1	51	GASKET-spare	59910	x					1
20	RETAINER	69503	x	x	x	x		1	52	CAP-spare	59594-A	x					1
21	SCREW-pan Plastite #6 x 1/4	82256	x	x	x	x		1	53	SPARK PLUG-see note 1, page 2	63547-S	x	x				1
22	SCREW-shoulder, 1/4-20 x 3/4									SPARK PLUG-see note 1, page 2	54576-S						1
	(see note 2)	63407	x	x	x	x		3	54	Includes: GASKET	25038	x	x	x	x		1
	SCREW-hex, 12-24 x 3/4 (see note 3)	80867	x	x	x	x		3	55	CYLINDER	A-69715	x	x	x	x		1
23	DECAL-warning label (condensed instr)	69847	x	x	x	x		1		Includes:							
24	PLUG-fuel tank	53408				x		1	56	GASKET-cylinder	58513	x	x	x	x		1
25	FILTER-fuel	A-59251						1		* Denotes new parts							
26	Includes: FILTER-felt	59253						1		Note 1 - A-68396 Fuel Tank has 1/4" mounting holes, requires three 63407 Screws and mating 1/4-20 tapped holes in crankcase.							
27	GROMMET-fuel line	68046						1		Note 2 - 63407 Screw requires 1/4" holes in fuel tank ('F' drill) see note 1.							
28	PLUG-button	67042						1		Note 3 - A-65736 crankcase has three 1/4-20 tapped holes for tank mounting screws. Early crankcase with 12-24 threads may be tapped. (see note 1)							
29	COVER-fuel tank	68141-2A						1		Note 4 - Bracket #64116-1 requires 2 #82189 screws.							
30	CRANKCASE (see note 3)	A-65736	x	x	x	x		1									
	Includes:																
31	SEAL	12282-A	x	x	x	x		1									
32	BEARING	58956	x	x	x	x		1									
33	STUD	55871	x	x	x	x		4									
34	RACE-thrust bearing	58725	x	x	x	x		2									
35	BEARING	58726	x	x	x	x		2									
36	KEY-rotor	75078	x	x	x	x		1									

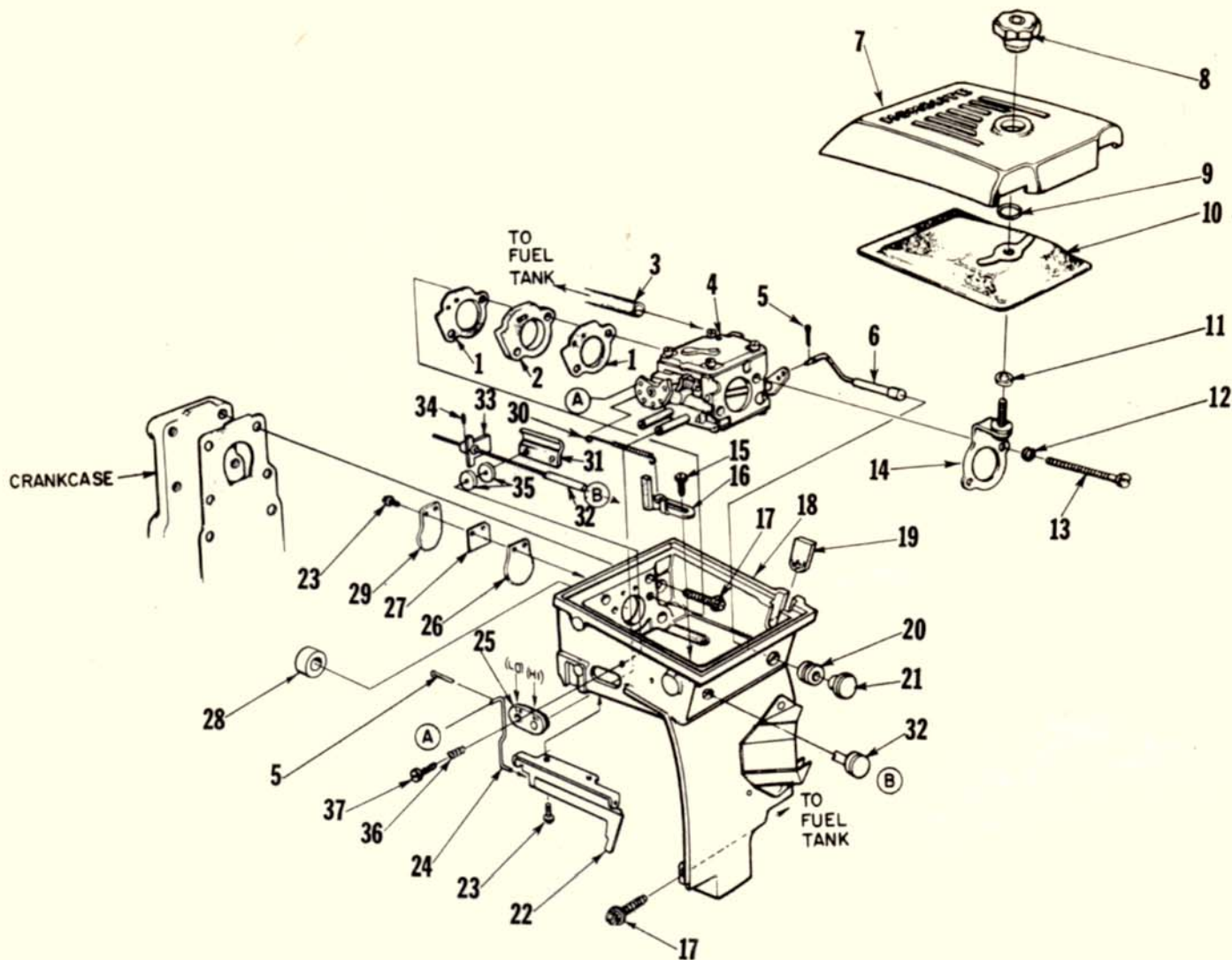


FIGURE 3

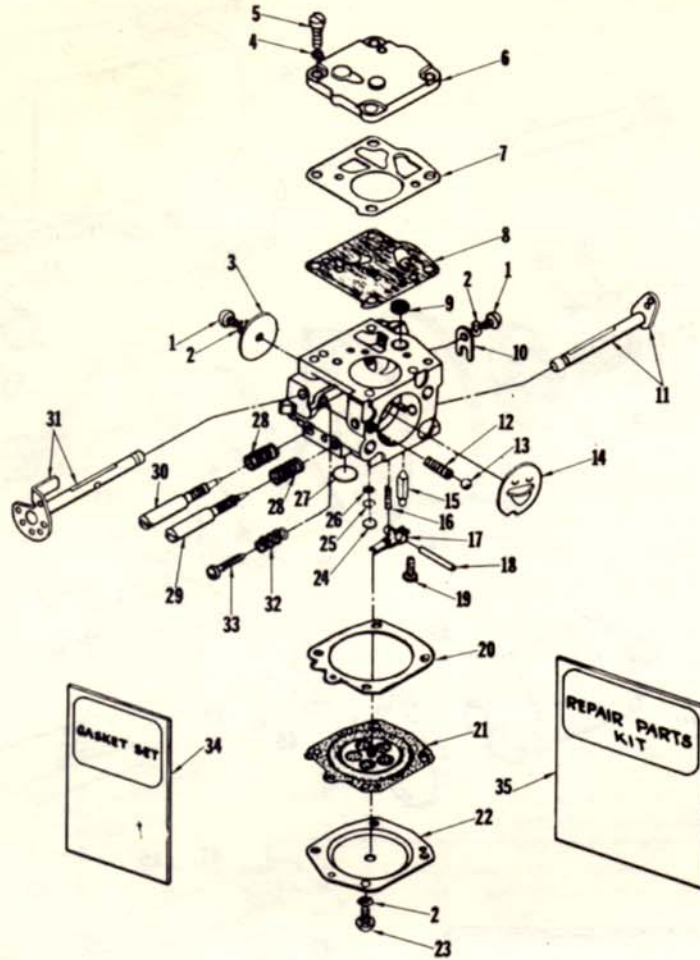
No.	Description	Part No.	1	1A	2	3	4	Qty.	No.	Description	Part No.	1	1A	2	3	4	Qty.
1	GASKET-carburetor	58537-A	x	x	x	x	x	2	21	BUTTON	57289-1	x	x	x	x	x	1
2	SPACER-carburetor	58780	x	x	x	x	x	1	22	GOVERNOR-air vane	A-59301-A	x	x	x	x	x	1
3	FUEL LINE-flexible	68155	x	x	x			1	23	SCREW-pan, 4-40 x 3/16	80658	x	x	x	x		4
	FUEL LINE-flexible	54284	x			x		1	24	LINK-governor	59260	x	x	x	x		1
4	CARBURETOR-HS 5C	A-59535-B	x	x	x	x	x	1	25	GROMMET-'HI-LO'	59058	x	x	x	x		1
5	COTTER PIN	86324	x	x	x	x		2	26	REED	58775	x	x	x	x		1
6	ROD-choke	A-58826	x	x	x	x		1	27	SPRING-reed	59053	x	x	x	x		1
7	COVER-air filter	58773-11	x	x	x	x		1	28	BUSHING-fuel line	68164	x	x	x			1
8	NUT-cover	A-65272	x	x	x	x		1	29	STOP-reed	58776	x	x	x	x		1
9	RING-retaining	58319-A	x	x	x	x		1	30	SPRING-governor	59242	x	x	x	x		1
*10	FILTER ELEMENT-air	63589-A	x	x	x	x		1	31	CLAMP-throttle rod	59367	x	x	x			1
11	GASKET-mounting stud (see note 1)	58392-1	x	x	x	x		1	32	ROD-throttle	A-50842	x	x	x			1
12	WASHER-lock, #10	83046	x	x	x	x		2	33	COLLAR-throttle rod	A-59285	x	x	x			1
13	SCREW-hex, 10-32 x 2-1/4	80481	x	x	x	x		2	34	SCREW-set, 4-40 x 1/8	80893	x	x	x			1
14	BRACKET-mounting	A-58818-A	x	x	x	x		1	35	WASHER-flat, #8	84025-1	x	x	x			2
15	SCREW-pan hd., 8-32 x 1/4	80575	x	x	x	x		2	36	SPRING	75892	x	x	x			2
16	PLATE-speed adjusting	A-59299	x	x	x	x		1	37	SCREW-pan, 8-32 x 3/8	80577	x	x	x			2
17	SCREW-hex, 12-24 x 7/8	80891	x	x	x	x		5									
18	CHAMBER-carburetor (see note 2)	A-59607	x	x	x	x		1									
	Includes: (not shown)																
	PLUG-button, 3/16	59787	x	x	x	x		2									
	PLUG-button, 1/4	59222	x	x	x	x		1									
	COTTER PIN	86301	x	x	x	x		1									
19	PLUG-felt	59329	x	x	x	x		1									
20	GROMMET	58362	x	x	x	x		1									

* Denotes new parts

Note 1 - Mounting gasket #58392-1 must be used with air filter element #63589 not required when using air filter #63589-A.

Note 2 - Index #18 carburetor chamber, A-59607 is supplied with three holes plugged. Remove these plugs to mount throttle rod and rod clamp.

Supersedes #A-58767-A, #A-58767-B
in units with governors only.



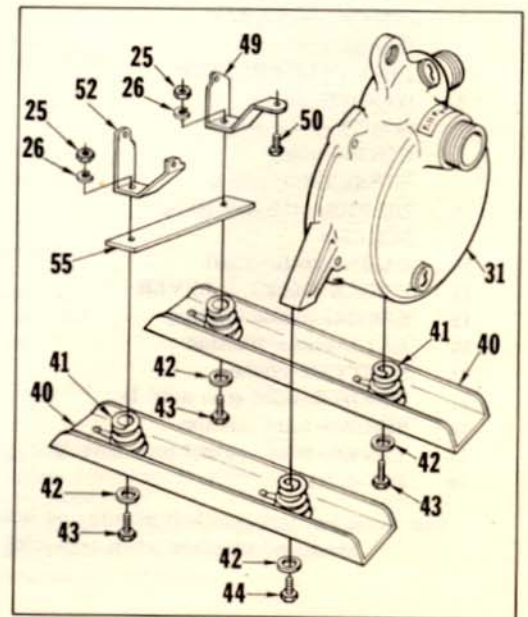
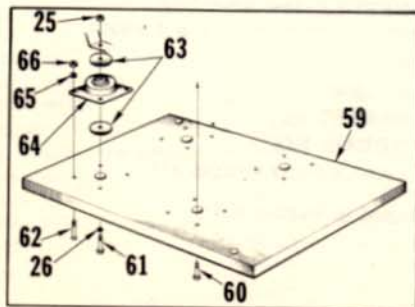
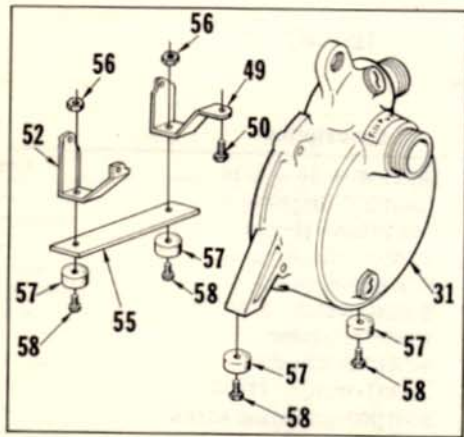
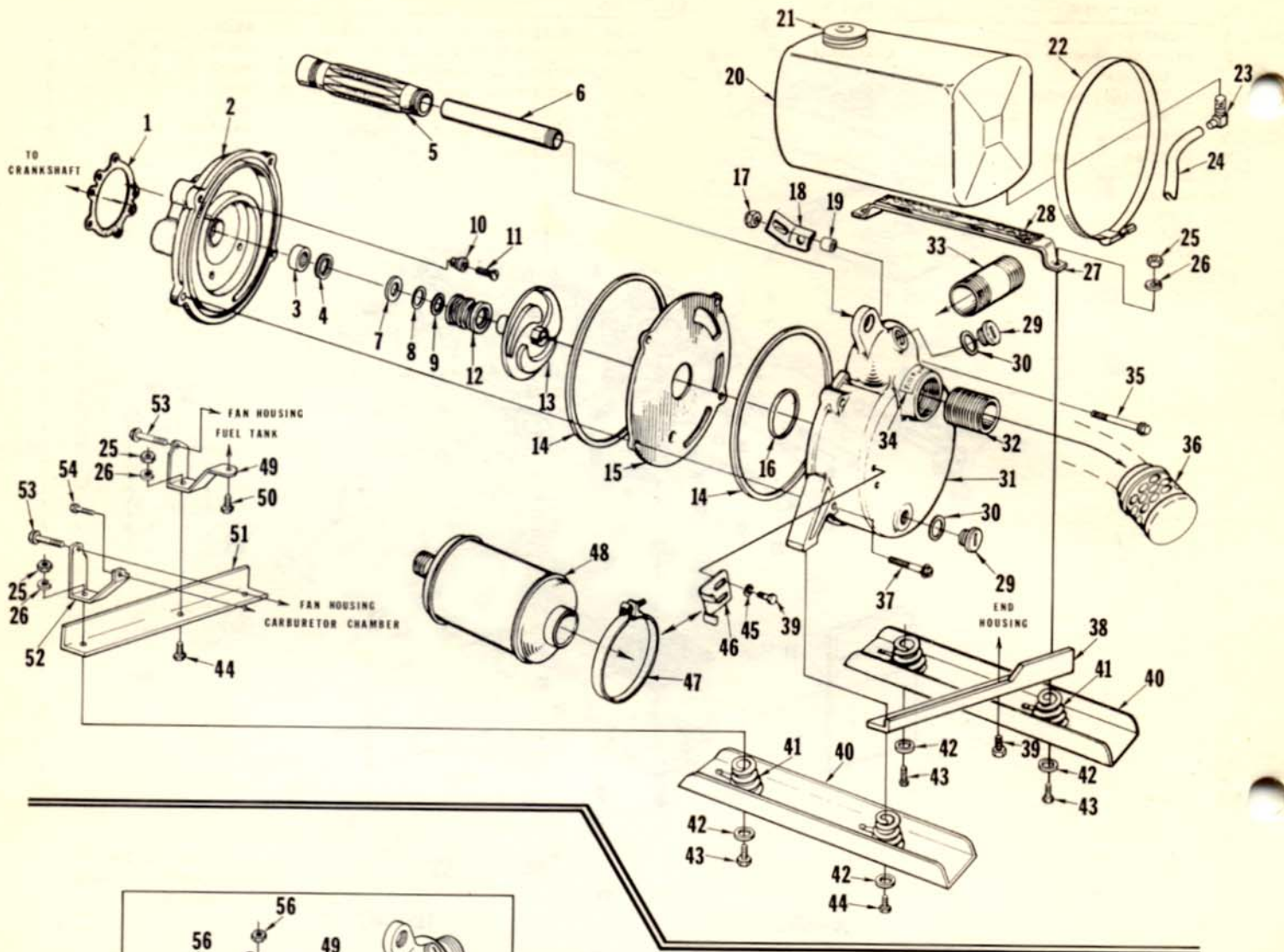
A-59535-B

HS-5C

No.	Description	Part No.	Qty.	No.	Description	Part No.	Qty.
1	SCREW-4-40 x 8/16	†80264	2	19	SCREW-4-40 x 5/16	†58992	1
2	WASHER-#4	†83008-1	6	20	GASKET-diaphragm	58978	1
3	THROTTLE SHUTTER	25050	1	21	DIA PHRAGM-main	†58988	1
4	WASHER-#6	83024	4	22	COVER-diaphragm	58979	1
5	SCREW-6-32 x 3/8	80275	4	23	SCREW-4-40 x 1/4	80591	4
6	COVER-pump	58975	1	24	PLUG-Welch, 3/16	†58994	1
7	GASKET-fuel pump	58981	1	25	RING-retaining	57819	1
8	DIA PHRAGM-fuel pump	†58980-R	1	26	SCREEN-channel	59500	1
9	SCREEN	†58974	1	27	PLUG-Welch, .11/32	†58991	1
10	CLIP-throttle shaft	58982	1	28	SPRING-adjusting screw	†73075	2
11	CHOKE SHAFT & LEVER	58990	1	29	NEEDLE-main adjusting	†58986	1
12	SPRING-choke friction	73264	1	30	NEEDLE-idle adjusting	†58985	1
13	BALL-choke friction	25527	1	31	THROTTLE SHAFT & LEVER	58989	1
14	SHUTTER-choke	58984	1	32	SPRING-idle speed	†58973	1
15	NEEDLE-inlet (see note 1)	†59717	1	33	SCREW-idle stop	†58993	1
16	SPRING-inlet tension	†55759	1	34	GASKET SET	†67866	1
17	LEVER-inlet control (see note 1)	†59716	1	35	REPAIR KIT	67869	1
18	PIN-fulcrum	†58977	1		GASKET-diaphragm set	63711	1

Note 1 - New type (slotted) needle and lever must be installed together when replacing original type.

† Included in Repair Kit



No.	Description	Part No.	1	1A	2	3	4	Qty.	No.	Description	Part No.	1	1A	2	3	4	Qty.	
1	GASKET	63355	x	x	x	x	x	1	35	SCREW-flt hd., 1/4-20 x 2-1/4	80236						x	1
2	HOUSING-impeller (see note 1)	A-53633-A	x	x	x	x	x	1	36	STRAINER-1-1/2" with 1/4" hole	62699	x	x				x	1
	Includes:								37	SCREW-hex Spinlock, 1/4-20 x 1-1/2	80882	x	x	x			x	4
3	BEARING-needle	58956	x	x	x	x	x	1		SCREW-hex Spinlock, 1/4-20 x 1-1/2	80882						x	3
4	SEAL	12282-A	x	x	x	x	x	1	38	ANGLE-base (pump end)	53434-1						x	1
5	GRIP-handle	59275	x	x	x	x	x	1	39	SCREW-hex Spinlock, 1/4-20 x 1/2	80681-3	x					x	4
6	HANDLE-carrying	62698	x	x	x	x	x	1		SCREW-hex Spinlock, 1/4-20 x 1/2	80681-3			x	x		x	2
7	WASHER-(see note 2)	84091-1	x	x	x	x	x	1		SCREW-hex Spinlock, 1/4-20 x 1/2	80681-3						x	3
8	SHIM-.010	62695	x	x	x	x	A/R		40	SKID ASSEMBLY	A-62984-A	x					x	2
9	SHIM-.015	62696	x	x	x	x	A/R			Includes:								
10	WASHER-sealing (see note 2)	62717	x	x	x	x	5		41	SPRING	75057-A	x					x	2
11	SCREW-hex hd. 12-24 x 1-3/4 (see note 2)	80953-2	x	x	x	x	5			WASHER-not shown	84004-1	x					x	4
12	SEAL ASSEMBLY	A-62694	x	x				1		RIVET-not shown	85025	x					x	2
	SEAL ASSEMBLY-(see note 3)	A-54575						1	42	WASHER-flat, 1/4	84004-1	x					x	4
13	IMPELLER	58718-4	x	x				1	43	SCREW-hex Spinlock, 1/4-20 x 13/16	80573	x					x	2
	IMPELLER	58718-2						1		SCREW-hex Spinlock slotted,								
14	GASKET-6-3/4 I.D. x 1/8 sq. (see note 3)	62690	x	x				2		1/4-20 x 13/16	80573						x	3
	"O" RING	54183						2	44	SCREW-hex Spinlock, 1/4-20 x 5/8	80581	x					x	2
15	PLATE-wear	62693-3	x	x				1	45	WASHER-1/4, lock	83077-1	x	x	x	x		x	2
	PLATE-wear (aluminum)	62693-2						1	46	BRACKET-muffler	62691-1	x	x	x	x		x	1
16	GASKET-1-3/4 I.D. x 1/8 sq. (see note 3)	62689	x	x				1	47	STRA P-muffler	59549-	x	x	x	x		x	1
	"O" RING	54182						1	48	MUFFLER	59550-1	x	x	x	x		x	1
17	NUT-Flexloc, 1/4-20	81204						1	49	LEG-left	59196-2	x	x	x	x		x	1
18	BRACKET	54760-3						1	50	SCREW-hex hd., 12-24 x 1/2	80821	x	x	x	x		x	1
19	SPACER	54280						1	51	ANGLE-base (engine end)	54629-1						x	1
20	TANK-fuel	54249-1						1	52	LEG-right	59195-2	x	x	x	x		x	1
21	CAP-filler	56762-1						1	53	SCREW-hex, 12-24 x 1-11/16	58963	x	x	x	x		x	2
22	CLAMP-fuel tank	54341-B						2	54	SCREW-hex, 12-24 x 7/8	80891	x	x	x	x		x	1
23	ELBOW-screen	56778						1	55	CROSS PIECE	59201-1A	x	x				x	1
24	FUEL LINE-flexible	54284						1	56	NUT-Flexloc, 10-32	81109-2	x					x	2
25	NUT-hex, 1/4-20	81053	x	x				2	57	FOOT-rubber	58729	x					x	4
	NUT-hex, 1/4-20	81053						4	58	SCREW-pan, 10-32 x 5/8	80572	x					x	2
26	WASHER-lock, 1/4	83009						2	59	BASE-pump	54867-1						x	1
	WASHER-lock, 1/4	83009						4	60	SCREW-1/4-20 x 1	80161	x					x	2
27	SUPPORT-tank	53450-1						1	61	SCREW-1/4-20 x 1-1/4	80259-2						x	2
28	PAD-fuel tank support	53451						1	62	SCREW-flat hd. #10	80042	x					x	16
29	CAP-drain & fill	59594-A	x	x	x	x	x	2	63	WASHER-snobbing	54862	x					x	8
30	GASKET-drain & fill cap	59910	x	x	x	x	x	2	64	MOUNT-vibration	54861	x					x	4
*31	HOUSING-end	A-50844	x	x	x	x	x	1	65	WASHER-lock, #10	83046	x					x	16
	Includes:								66	NUT-hex, #10	81010-1	x					x	16
32	FITTING-suction (1-1/2 x 1-3/4)	75959-1	x	x	x	x	x	1										
33	FITTING-discharge (1-1/2 x 3)	62707-1	x	x	x	x	x	1										
34	DECAL-fill with water before starting	62315	x	x	x	x	x	1										

* Denotes new parts

Note 1 - One piece Impeller and Bearing Housing A-53633-A supersedes Impeller Housing 58661-2 and Bearing Housing A-59547.

Note 2 - For units without the one piece Impeller and Bearing Housing (#A-53633-A) use Slinger #62692, four 12-24 x 3/4 screws (#80916) and four Sealing Washers (#62717). See Note 10.

Note 3 - Any XL pump may be used for insecticides when equipped with A-54575 Seal Assembly, 54182 Gasket and 54183 Gasket.

TOOLS

PLIERS-snap ring	22828
PLUG-bearing installation	23573
PLUG-bearing installation	23757
PLUG-piston pin removal	A-23949
Includes: "O" RING	67900
PLUG-seal installation	23758
PULLER-magneto rotor	A-23960
SLEEVE-seal installation	23800
SLEEVE-seal protecting	23759
WRENCH-combination	22808
WRENCH-combination	A-23937-B
WRENCH-hex socket	23528
WRENCH-spanner	22139

ACCESSORIES

LOCTITE	23488-B
---------	---------

PAINT

BLACK-spray can 12 oz.	22772
BLUE-spray can 12 oz.	24453

Part No.	Description	Qty.	Part No.	Description	Qty.	Part No.	Description	Qty.	Part No.	Description	Qty.
12282-A	Seal	2	58756	Pawl-starter	2	59500	Screen-channel	1	69502	Chain-bead	1
22139	Wrench-spanner	1	58763	Washer-retaining	1	A-59535-B	Carburetor	1	69503	Retainer	1
22772	Paint-black	1	58764-A	Spring-recoil	1	59538	Gasket	1	A-69715	Cylinder	1
22808	Wrench	1	58765	Screen-starter	1	59548-1	Manifold	1	69847	Decal-warning	1
22828	Pliers-snapping	1	58773-11	Cover-air filter	1	59549	Strap-muffler	1	72084-1A	Nut	1
23488-B	Loctite	1	58775	Reed	1	59550-1	Muffler	1	72085-A	Plate-on-off	1
23528	Wrench-socket	1	58776	Stop-reed	1	59571	Plug-pipe	1	73075	Spring-adjusting	1
23576	Plug-bearing	1	58780	Spacer-carb.	1	59594-A	Cap	3	73264	Spring-choke	1
23757	Plug-bearing	1	58806	Rope-starter	1	A-59607	Chamber-carb.	1	75057-A	Spring	2
23758	Plug-seal	1	58809	Rotor-magneto	1	59622	Clamp-condenser	1	75078	Key-rotor	2
23759	Sleeve-seal	1	58810	Gasket-cover	1	59642	Elbow	1	75120	Ring-retaining	1
23800	Sleeve-seal	1	58811	Cover-breaker	1	59716	Lever-inlet	1	75892	Spring	2
A-23937-B	Wrench	1	A-58818-A	Bracket-mounting	1	59717	Needle-inlet	1	75959-1	Fitting-suction	1
A-23949	Plug-piston pin	1	A-58826	Rod-choke	1	59760	Seal-felt	1	76413	Spring-cover	1
A-23960	Puller-magneto	1	58847	Insert-rope	1	59787	Plug-button	2	76421	Screw Group	1
24453	Paint-blue	1	58862	Wick-fuel	1	59910	Gasket	3	FASTENING PARTS		
25038	Gasket	1	A-58864	Rollers-set	1	62315	Decal	1	58963	12-24 x 1-11/16	3
25050	Throttle Shutter	1	58865	Gasket	1	62689	Gasket	1	58992	4-40 x 5/16	1
25527	Ball-choke	1	58866	Washer-wick	1	62690	Gasket	2	63407	1/4-20 x 3/4	3
28008	Clip-point	1	58867	Spring	1	62691-1	Bracket-muffler	1	69919	8-32 x 1/2	2
28028	Washer-point	1	58872	Screw-coil	1	62693-2	Plate-wear	1	80042	Screw-#10	16
30261	Screw Group	1	58874	Coil	1	62693-3	Plate-wear	1	80161	1/4-20 x 1	2
A-33055	Terminal	1	58875-A	Box-breaker	1	A-62694	Seal Assembly	1	80236	1/4-20 x 2-1/4	1
A-50842	Rod-throttle	1	58877	Piston Ring	2	62695	Shim-.010	A/R	80259-2	1/4-20 x 1-1/4	2
*A-50844	Housing-end	1	A-58903-C	Piston & Pin	1	62696	Shim-.015	A/R	80264	4-40 x 8/16	2
53408	Plug-fuel tank	1	A-58914	Point Set	1	62698	Handle-carrying	1	80275	6-32 x 3/8	4
53434-1	Angle-base	1	58915	Grip-rope	1	62699	Strainer	1	80481	10-32 x 2-1/4	2
53450-1	Support-tank	1	A-58934	Terminal Block	1	62707-1	Fitting-discharge	1	80513	6 x 1/2	16
53451	Pad-fuel tank	1	58956	Bearing-needle	2	62717	Washer-sealing	5	80572	10-32 x 5/8	2
A-53633-A	Housing-impeller	1	58966	Lead-hi tension	1	A-62984-A	Skid Assembly	2	80573	1/4-20 x 13/16	5
54182	"O" Ring	1	58973	Spring-idle speed	1	63250	Condenser	1	80575	8-32 x 1/4	2
54183	"O" Ring	2	58974	Screen	1	A-63271	Cover-fuel tank	1	80577	8-32 x 3/8	2
54249-1	Tank-fuel	1	58975	Cover-pump	1	63355	Gasket	1	80581	1/4-20 x 5/8	2
54280	Spacer	1	58985	Needle-idle	1	*A-63477-B	Connecting Rod	1	80591	4-40 x 1/4	4
54284	Fuel Line	1	58986	Needle-main	1	63497-1	Crankshaft	1	80648	10-32 x 1/2	1
54341-B	Clamp-fuel tank	2	58977	Pin-fulcrum	1	63547-S	Spark Plug	1	80658	4-40 x 3/16	4
54408	Lead-hi tension	1	58978	Gasket-dia.	1	*63589-A	Filter Element	1	80676	12-24 x 5/8	4
A-54575	Seal Assembly	1	58979	Cover-dia.	1	63711	Gasket-dia.	1	80681-3	1/4-20 x 1/2	3
54576-S	Spark Plug	1	58980-R	Diaphragm-fuel	1	63726	Clip-coil	1	80821	12-24 x 1/2	1
54629-1	Angle-base	1	58981	Gasket-fuel	1	64049-A	Lock-spring	1	80867	12-24 x 3/4	3
54760-3	Bracket	1	58982	Clip-throttle	1	64090	Screw-coil	1	80882	1/4-20 x 1-1/2	4
54861	Mount-vibration	4	58984	Shutter-choke	1	64116-1	Bracket-locking	1	80891	12-24 x 7/8	6
54862	Washer-snubbing	8	58988	Diaphragm-main	1	64440	Bushing-spring	1	80893	4-40 x 1/8	1
54867-1	Base-pump	1	58989	Throttle Shaft	1	64443	Bushing-starter	1	80953-2	12-24 x 1-3/4	5
54972	Lead-hi tension	1	58990	Choke Shaft	1	A-64446	Pulley-starter	1	81010-1	Nut-#10	16
55759	Spring-inlet	1	58991	Plug-welch	1	A-64518	Housing-fan	1	81053	Nut-1/4-20	4
55871	Stud	4	58993	Screw-idle stop	1	64813	Ring-retaining	1	81065-2	Nut-1/4-28	4
56762-1	Cap-filler	1	58994	Plug-welch	1	A-65272	Nut-cover	1	81109-2	Nut-10-32	5
56778	Elbow-screen	1	A-59031	Lead-ground	1	65375-2	Spring-starter	2	81117	Nut-5/16-24	1
57289-1	Button	1	59053	Spring-reed	1	A-65736	Crankcase	1	81204	Nut-1/4-20	1
A-57650-3	Switch	1	59058	Grommet-hi-lo	1	67042	Plug-button	1	82189	12-24 x 3/4	2
57819	Ring-retaining	1	59195-2	Leg-right	1	67177	Bushing-rope	1	82256	6 x 1/4	1
58319-A	Ring-retaining	1	59196-2	Leg-left	1	*A-67745-B	Connecting Rod	1	83002	Washer-5/16	1
58362	Grommet	1	59201-1A	Cross Piece	1	67866	Gasket Set	1	83008-1	Washer-#4	6
58392-1	Gasket-mounting	1	59222	Plug-button	1	67869	Repair Kit	1	83009	Washer-1/4	8
58439-1	Crankshaft	1	59242	Spring-governor	1	67900	"O" Ring	1	83025	Washer-#6	4
58513	Gasket-cylinder	1	A-59251	Filter-fuel	1	68046	Grommet-fuel	1	83046	Washer-#10	18
58519	Stud-wick	1	59253	Filter-felt	1	68141-2A	Cover-fuel tank	1	83056	Washer	2
58537-A	Gasket-carb.	2	59260	Link-governor	1	68155	Fuel Line	1	83077-1	Washer-1/4	2
58718-2	Impeller	1	59275	Grip-handle	1	68164	Bushing-fuel line	1	84003-1	Washer-#10	1
58718-4	Impeller	1	A-59285	Collar-throttle	1	A-68396	Tank-fuel & oil	1	84004-1	Washer-1/4	8
58724	Bearing-needle	1	A-59299	Plate-speed	1	A-69065	Rollers-set	1	84025-1	Washer-#8	2
58725	Race-thrust	2	A-59301-A	Governor-air	1	69451	Valve-check	1	84056	Washer-5/16	1
58726	Bearing	2	59329	Plug-felt	1	69454	Filter-filler cap	1	84091-1	Washer	1
58729	Foot-rubber	4	59367	Clamp-throttle	1	A-69500	Cap-fuel filler	1	85025	Rivet	2
58757-D	Stud-starter	2	59457	Washer-felt	1	69501	Gasket-fuel cap	1	86301	Cotter Pin	1
									86324	Cotter Pin	2

* Denotes new parts



A Textron DIVISION, PORT CHESTER, N. Y. 10573

E2571X