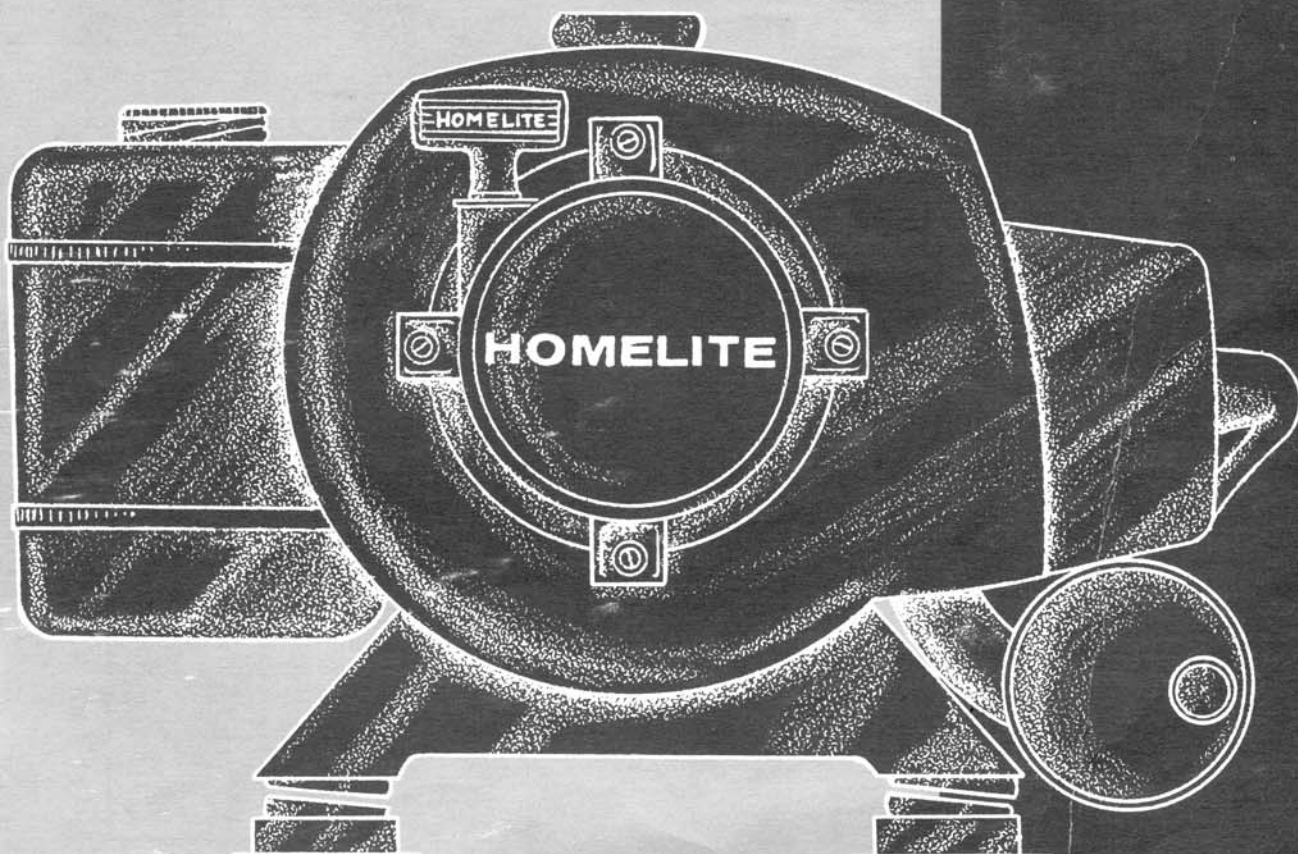


PARTS LIST

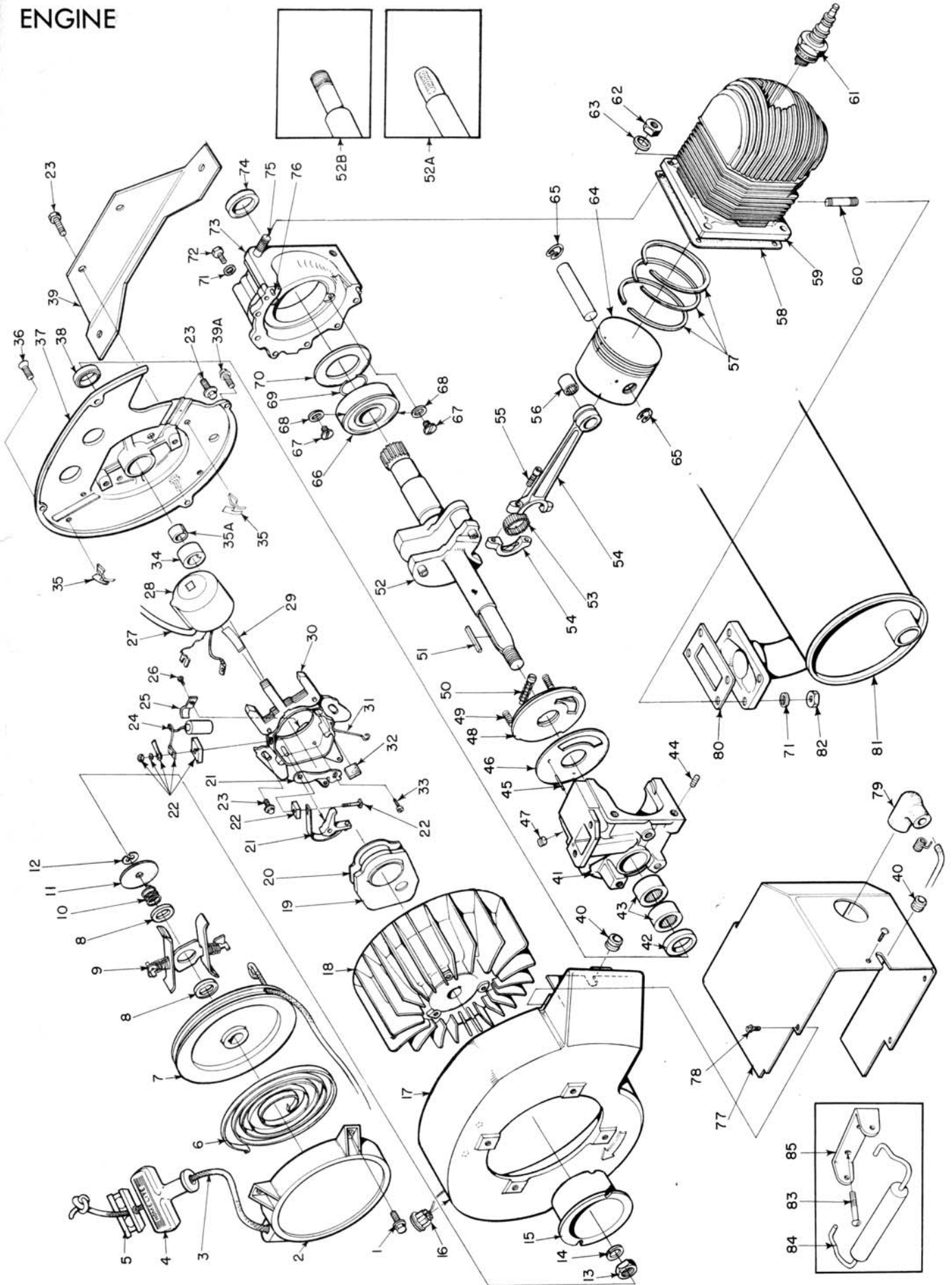
# HOMELITE<sup>®</sup>

# 250

2 CYCLE ENGINE



# ENGINE

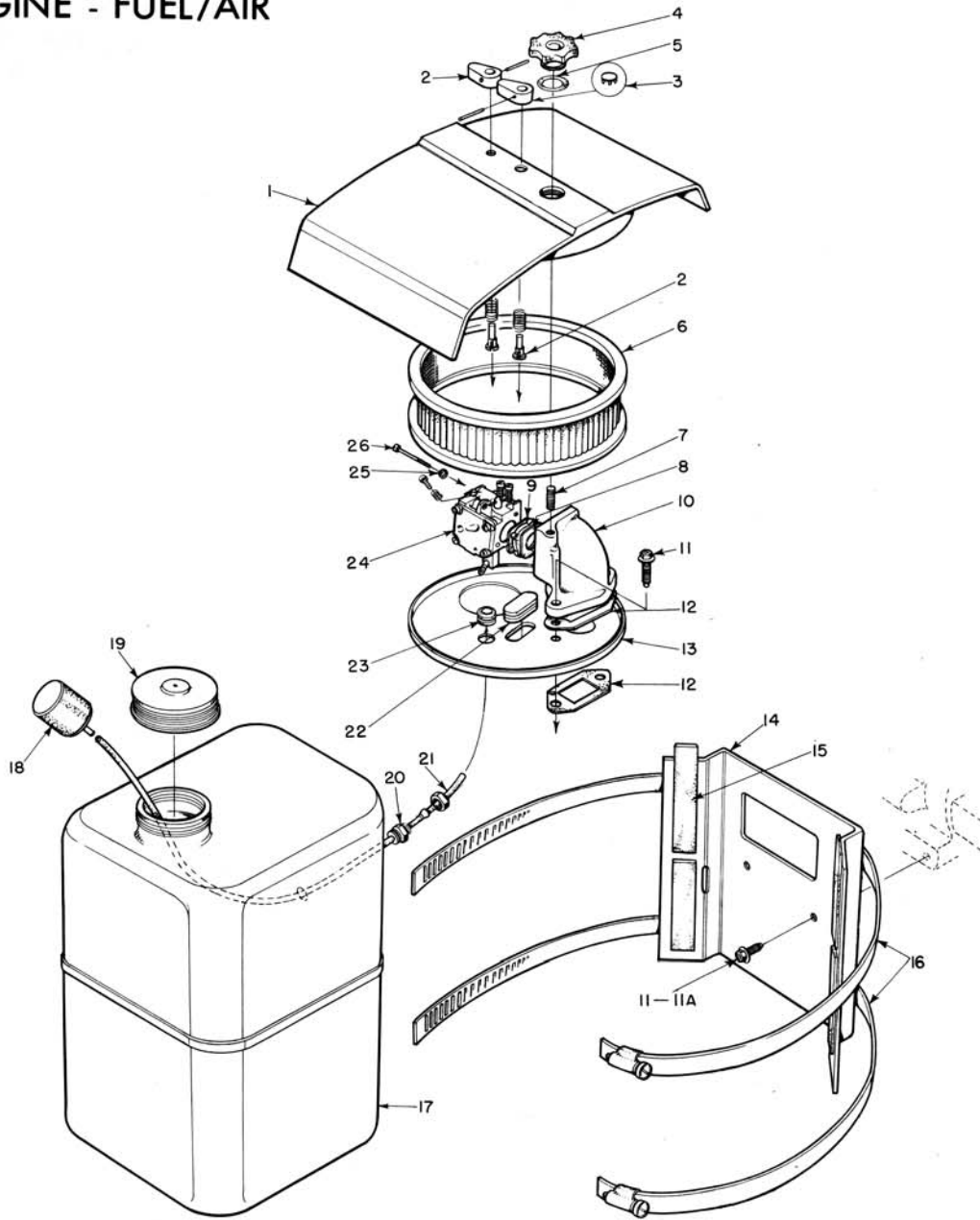


ALWAYS FURNISH MODEL AND SERIAL NUMBER WHEN ORDERING PARTS.

# HOMELITE 2-CYCLE ENGINE MODEL 250

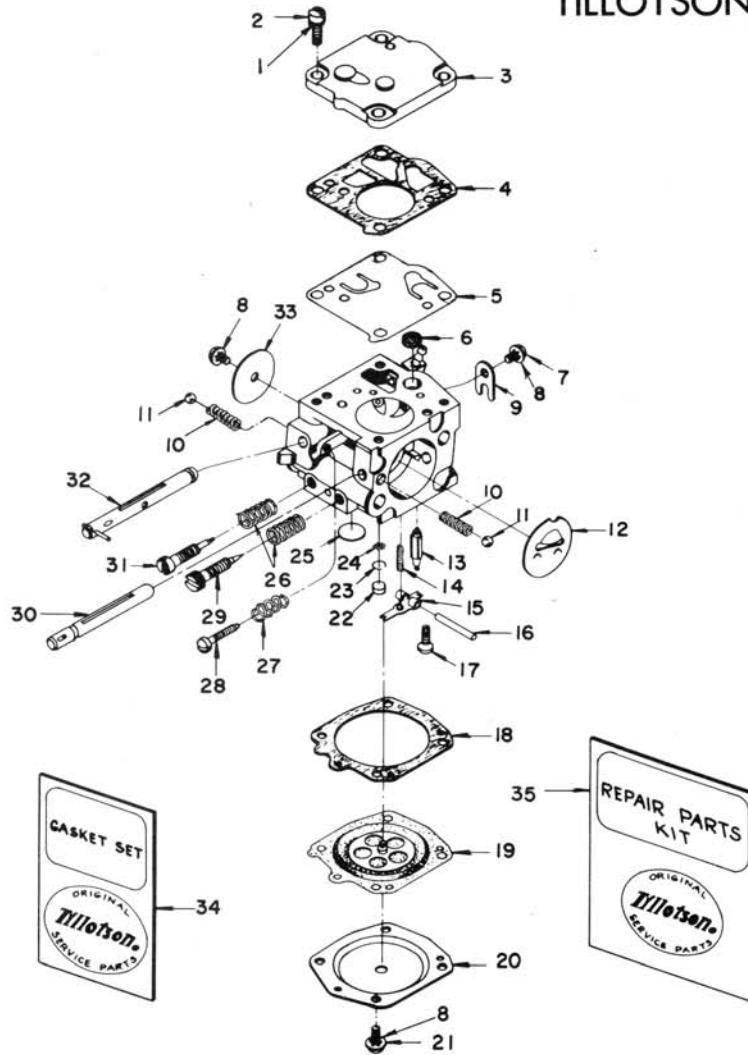
No.	Description	Part No.	Qty.	No.	Description	Part No.	Qty.
1	SCREW, hex hd., Spinlok slotted	80681	5	48	GOVERNOR ASSEMBLY	A-54517	1
2	COVER & BUSHING ASSEMBLY	54591	1		Includes:		
3	CORD, starting	55898	1	49	SPRING, governor	A-33283-A	1
4	GRIP, starting cord	55937	1	50	SCREW	62210	1
5	INSERT, starting cord grip	58517	1	51	KEY, rotor	76412	1
6	SPRING, rewind	54371	1	52	CRANKSHAFT, diaphragm pump (as shown)	A-54522-2	1
7	PULLEY, starter	54370	1			<del>54522-2</del>	5
8	WASHER, fibre	58970	2	52A	CRANKSHAFT - generators (see inset)	A-54522	
9	FRICITION SHOE ASSEMBLY	A-57647	1	52B	CRANKSHAFT - blower and centrifugal pumps (see inset)	A-54522-1	
10	SPRING, brake	54369	1	53	ROLLERS (set of 31 rollers)	A-64678	1
11	WASHER, brake retainer	76436	1	54	CONNECTING ROD ASSEMBLY	A-74552-B	1
12	RING, brake retainer	90618	1		Includes:		
13	NUT, 7/16-20	81110	1	55	SCREW, socket hd.	58095	2
14	WASHER, lock, 7/16"	83100	1	56	BEARING, needle	71167-S	1
15	CUP, starter	56441	1	57	RING, piston	54512	3
16	SWITCH ASSEMBLY, stop Includes: WASHER, lock #4, internal	A-54670 83104	1	58	GASKET, cylinder	74139	1
17	HOUSING, fan	54588-4	1	59	CYLINDER ASSEMBLY	A-54715	1
18	ROTOR, magneto	54746-1	1		Includes:		
19	COVER, breaker box	76418	1		INSERT, heli-coil (in spark plug hole)	72122	1
20	GASKET, cover	76417	1	60	STUD, 1/4 x 28	71304	4
21	BREAKER POINT SET	76420	1	61	SPARK PLUG, Champion J6J	40190-S	1
22	TERMINAL CONNECTION UNIT	76415	1		SPARK PLUG, Champion UJ-12 250 DP3-1 only	62032-S	
23	SCREW, Spinlok, 1/4-20 x 5/8	80581	5	62	NUT, hex, 5/16 -24	25412	4
24	CONDENSER	76419	1	63	WASHER, lock, 5/16"	83042	4
25	CLAMP, condenser	74514	1	64	PISTON & PIN ASSEMBLY	A-54727	1
26	SCREW, condenser clamp (sems)	55411	1		Includes:		
27	LEAD, high tension	54653	1	65	RING, retaining	25502	1
28	COIL	54747	1	66	BEARING, main	71164-AS	1
29	SPRING, coil wedge	76414	1	67	SCREW	19238-A	2
30	STATOR PLATE GROUP	76423	1	68	WASHER	83061	2
31	SPRING, breaker box cover	76413	1	69	RING, retaining	50033	1
32	CAM WIPER, felt	74526	1	70	GASKET, sealing	71106	1
33	SCREW, fixed contact (sems)	76421	1	71	WASHER, lock	83009	11
34	CAM, breaker	76313	1	72	SCREW, hex hd., 1/4-20 x 7/8"	80181-1	7
35	CLIP, wire retaining	54761	3	73	CRANKCASE, rear half	A-54725	1
35A	SEAL, felt	54787	1		Includes:		
36	SCREW, flat hd., cap Nylok, 10-24 x 3/4"	82122	2	74	SEAL, garlock	72413	1
37	BACK PLATE ASSEMBLY Includes:	A-54748	1	75	STUD, cylinder mounting	72787	2
38	SEAL	56256-A	1	76	PIN, dowel	31062	3
39	BRACKET, engine mounting	54523-1A	1	77	SHIELD, cylinder	54589-2	1
39A	SCREW, hex hd., Spinlok	80867	2	78	SCREW, hex hd., Spinlok, 10-24 x 3/8"	80869-1	4
40	GROMMET	75036	2	79	TERMINAL ASSEMBLY	A-33055	1
41	CRANKCASE ASSEMBLY, front half Includes:	A-54726	1	80	GASKET, exhaust manifold	50335-A	1
42	SEAL, garlock	62750	1	81	MUFFLER ASSEMBLY	A-54799	1
43	BEARING, needle	73557-S	2	82	NUT, 1/4 x 28"	81065-2	4
44	STUD, cylinder mounting	72787	2		The following parts are not shown:		
45	PIN, dowel	72269	2		BRACKET, muffler	54760-3	1
46	PLATE, intake valve PLATE, intake valve, 250 DP3 Diaphragm pump only	54587 54788	1	83	STRAP, muffler	54756	1
47	PLUG, dry seal	28097	1		SCREW, fil., hd., 10-32 x 3/4" Generators only (early Model)	80034	2
				84	HANDLE ASSEMBLY, carrying Generators only (early Model)	AA-31171	1
				85	BRACKET, carrying handle Generators only (early Model)	54359-1	1

# 250 ENGINE - FUEL/AIR



No.	Description	Part No.	Qty.	No.	Description	Part No.	Qty.
1	COVER, air filter	54539-2	1	12	GASKET, crankcase	54645	2
2	SHAFT ASSEMBLY, control	A-54728	1	13	PLATE, mounting (air filter)	54569-B	1
	GENERATORS		1	14	BRACKET ASSEMBLY, fuel tank	A-54650	1
	ALL OTHER UNITS		2		Includes:		
	Includes:			15	SPACER, fuel tank	54651	4
	"O" RINGS	74388	1	16	STRAP, fuel tank	54723	2
3	PLUG, generators only	54685	1	17	TANK, fuel	54688-1	1
4	NUT, cover mounting	A-58882	1	18	FILTER, fuel	A-59251	1
5	WASHER, nylon	54536	1		Includes:		
6	ELEMENT, air filter	54620	1		FILTER	59253	1
7	STUD	71304	1	19	CAP, fuel filler	54641-1	1
8	GASKET	63254	2	20	FITTING	54357-1	1
9	SPACER, carburetor	63256	1	21	FUEL LINE	54648	1
10	MANIFOLD, intake	54525-1	1	22	PLUG, governor adjusting hole	54642	1
11	SCREW, hex hd., Spinlok, 1/4-20 x 5/8"	80581	4	23	GROMMET	62740	1
11A	SCREW, hex hd., Spinlok, 1/4-20 x 13/16 - 250 DP3 only	80573	2	24	CARBURETOR ASSEMBLY	A-54617	1
				25	WASHER, lock	83046	2
				26	SCREW	80965	2

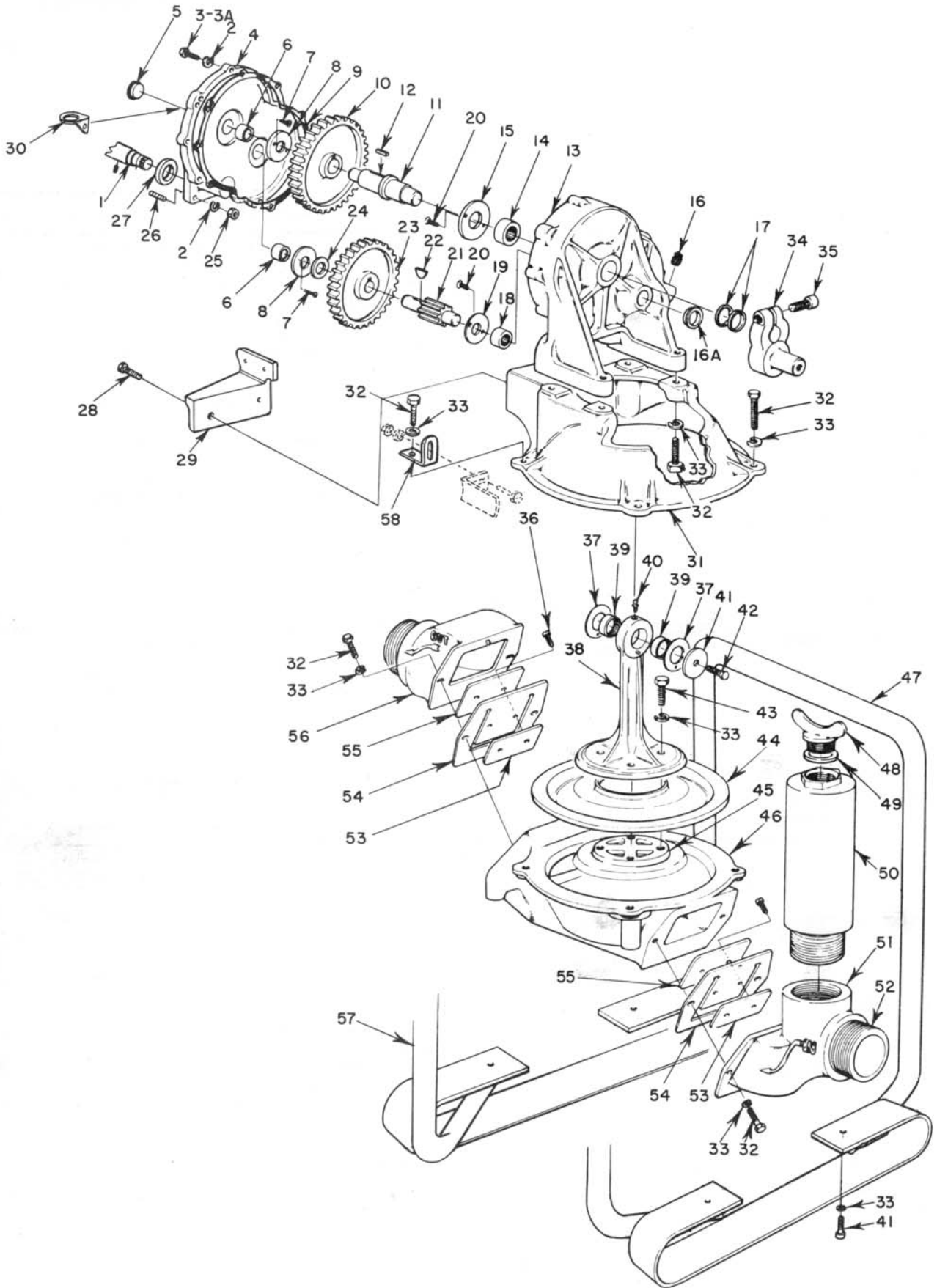
# 250 CARBURETOR TILLOTSON MODEL HS-45A



No.	Description	Part No.	Qty.	No.	Description	Part No.	Qty.
CARBURETOR ASSEMBLY (Tillotson HS-45A)				18	GASKET, diaphragm	58978	1
Includes:				19	DIAPHRAGM, metering	*58988	1
1	LOCKWASHER, fuel pump cover screw	A-54617	4	20	COVER, diaphragm	58979	1
2	SCREW, fil. hd.	83024	4	21	SCREW, diaphragm cover	80591	4
3	COVER, fuel pump	58975	1	22	PLUG, welch (body channel - small)	*58994	1
4	GASKET, fuel pump	58981	1	23	RING, retaining (body channel - screen)	57819	1
5	DIAPHRAGM, fuel pump	*58980-R	1	24	SCREEN, body channel	59500	1
6	SCREEN, inlet	*58974	1	25	PLUG, welch (body channel - large)	*58991	1
7	SCREW, throttle shaft clip retaining	80264	2	26	SPRING, adjusting needles	*73075	2
8	LOCKWASHER	83008-1	6	27	SPRING, idle speed screw	*28064	1
9	CLIP, throttle shaft	58982	1	28	SCREW, idle speed	*71509	1
10	SPRING, friction (choke and throttle)	73264	2	29	NEEDLE, adjusting (main mixture)	*54697	1
11	BALL, friction (choke and throttle)	25527	2	30	SHAFT, choke	54699	1
12	SHUTTER, choke	58984	1	31	NEEDLE, adjusting (idle)	*54698	1
13	NEEDLE, inlet	*59717	1	32	SHAFT, throttle	54700	1
14	SPRING, inlet tension	*55759	1	33	SHUTTER, throttle	25050	1
15	LEVER, inlet control	*59716	1	34	GASKET SET	*58971	
16	PIN, inlet pinion	*58977	1	35	REPAIR KIT	54751	
17	SCREW, inlet pinion pin retaining	*58992	1				

\* Indicates contents of Repair Kit.

# 250 DP3-1 DIAPHRAGM PUMP



## 250 DP3-1 DIAPHRAGM PUMP

No.	Description	Part No.	Qty.	No.	Description	Part No.	Qty.
1	CRANKSHAFT, engine, geared-end	A-54522-2	1	36	SCREW, fil., hd., 10-32 x 1/2"	80393	4
2	WASHER, lock, 1/4"	83009	14	37	WASHER, thrust	73856	2
3	SCREW, hex, hd., 1/4-20 x 1"	80284	7	38	ROD ASSEMBLY, pump	A-74339	1
3A	SCREW, socket head, 1/4-20 x 1"	80734 -1	3		Includes:		
4	COVER, gear case	A-74616	1	39	BEARING, needle	74121-S	2
	Includes:			40	FITTING, alemite	32409	1
5	CAP, bearing	74137	2		PIN, locating (not shown)	76982	1
6	BEARING, needle	74251-S	2	41	WASHER	73857	1
7	SCREW, flat hd., 8-32 x 1/2"	80143	4	42	SCREW, hex, hd., 3/8-16 x 3/4"	80171	1
8	WASHER, thrust	73850	2	43	SCREW, hex, hd., 1/2-13 x 1 1/4"	80272	8
9	GASKET	74147	1	44	DIAPHRAGM	74351	1
10	GEAR, pump	73866-1	1	45	CAP, diaphragm	73706	1
11	SHAFT & KEY ASSEMBLY	A-75672	1	46	BODY, pump	A-74313.	1
	Includes:				Includes:		
12	KEY	27752	2		PIN, locating (not shown)	72269	1
13	CASE SUB ASSEMBLY, gear	A-74312	1	47	FRAME, handle	54192	2
	Includes:			48	PLUG, wing	18127-B	1
14	BEARING, needle	74252-S	1	49	GASKET, wing plug	18108	1
15	WASHER, thrust	73855	1	50	STANDPIPE, 3"	74344	1
16	PLUG, oil filler	55140-A	1	51	FITTING, suction	A-74348	1
16A	CAP, bearing	74137	1		Includes:		
17	SEAL, garlock	74333	2		PIN	72269	1
18	BEARING, needle	74251-S	1	52	NIPPLE, 3"	74343-1	2
19	WASHER, thrust	73850	1	53	WEIGHT, valve	74155	2
20	SCREW, flat head	80143	4	54	VALVE	74154	2
	PIN, dowel (not shown - for locating)	74332	2	55	PLATE, valve	74156	2
21	SHAFT, intermediate	A-75706	1	56	FITTING, discharge	73874	1
	Includes:			57	SPRING, foot	73731	2
22	KEY, woodruff	74353-1	1	58	BRACKET, muffler	54760-1	1
23	GEAR, intermediate	74352-1	1		The following parts are not shown:		
24	SPACER	73885	1		WRENCH, spanner	20024-A	1
25	NUT	81065-2	4		STRAINER	74454-A	1
26	STUD	74671	4		OIL, gear (1 pint)	55291-B	1
27	SEAL, garlock	72413	1		The following parts are available on special order:		
28	SCREW, hex, spinlok, 1/4-20 x 13/16" (see Engine-fuel system, index #11 for position of 2 screws)	80573	4		STRAINER, with foot valve - for use with solids	74354-A	
29	SUPPORT, engine	54692	1		VALVE, foot - for general pumping use	AA-26799	
30	HOLDER, spanner wrench	62450	1		VALVE - for use with petroleum products	74154-1	
31	BODY, pump (upper)	74118-1	1		BRACKET, lifting	54802	1
32	SCREW, hex, hd., 1/2-13 x 1 3/4"	80627	12		LINK, lifting	54803	1
33	WASHER, lock, 1/2"	83020	20		MUFFLER	A-54799	1
34	CRANK	73858	1				
35	SCREW, cap, 1/2-13 x 1 1/2"	80423	1				