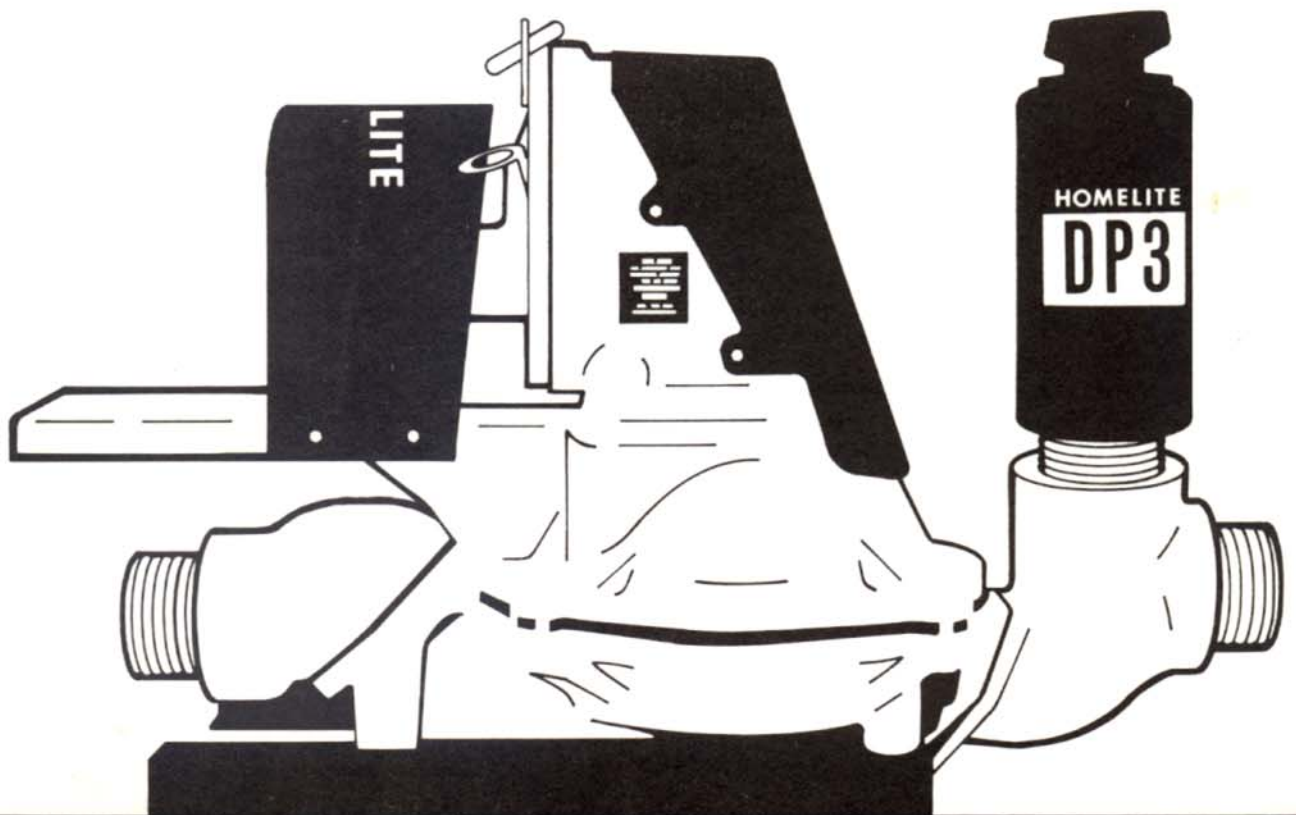


# Parts list

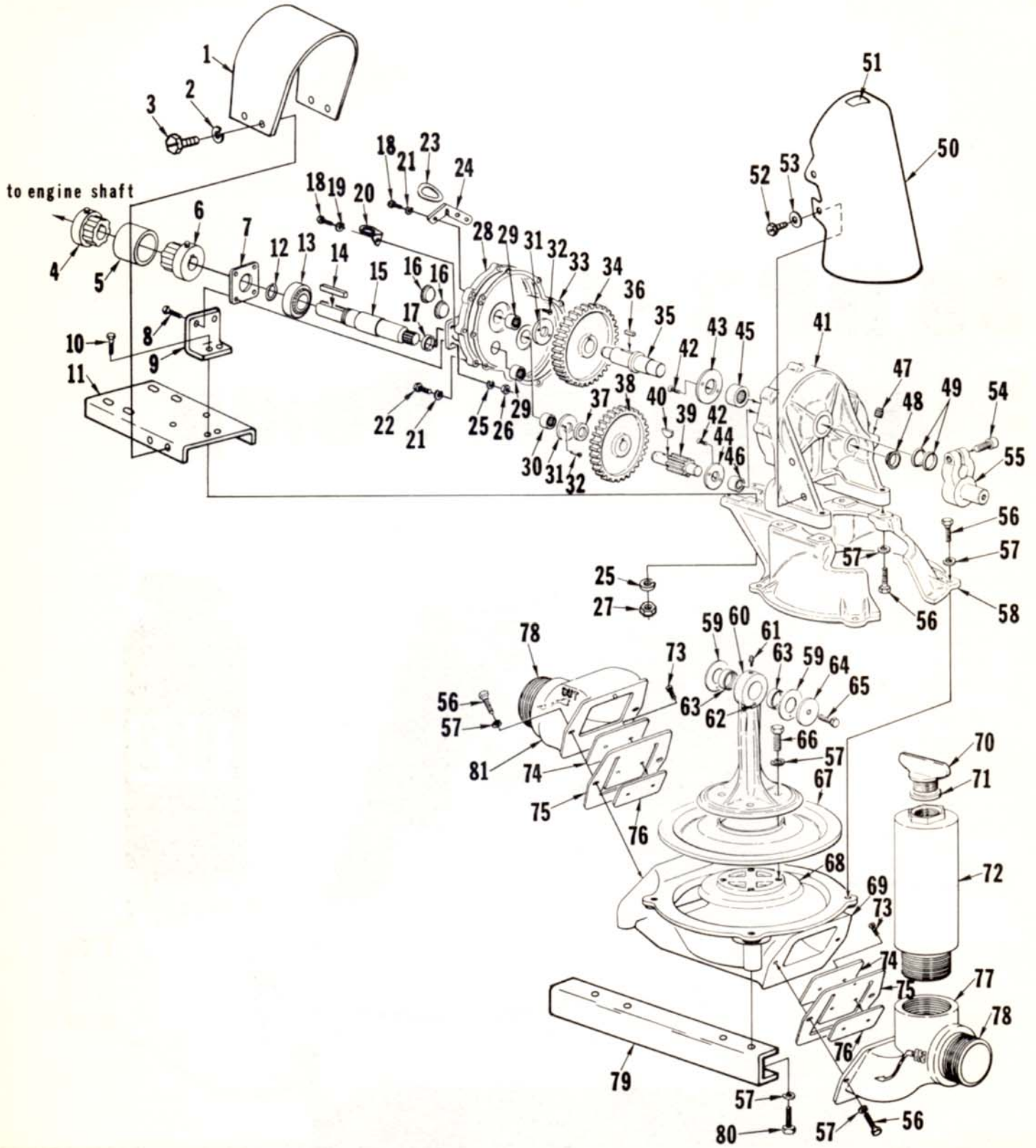
# 56 DP3-1 Diaphragm Pump



**HOMELITE®**

**HOMELITE®**

**HOMELITE®**



**56 DP3-1**

No.	Description	Part No.	Qty.	No.	Description	Part No.	Qty.
* 1	GUARD-coupling	A-43006	1	*41	GEAR CASE	A-74312-1	1
2	WASHER-lock, 1/4	83061	4		Includes:		
3	SCREW-hex hd., 1/4-20 x 3/8	80179	4	42	SCREW-flat hd., 8-32 x 1/2	80143	4
* 4	END-coupling	42533	1	43	WASHER-thrust	73855	1
* 5	SLEEVE-coupling	42500	1	44	WASHER-thrust	73850	1
* 6	END-coupling	42534	1	45	BEARING-needle	74252-S	1
* 7	CAP-bearing	76946-1A	1	46	BEARING-needle	74251-S	1
8	SCREW-hex hd., 5/16-18 x 1-1/8	80086	4	47	PLUG-pipe	50949	1
* 9	SUPPORT-gear case	42564-1	1	48	CAP-bearing	74137	1
10	SCREW-hex hd., 5/16-18 x 1-1/8	80746	4	49	SEAL-shaft	74333	2
*11	BRACKET-motor mounting	42544-1	1	50	GUARD-pump rod	A-51135	1
12	RING-snap	50033	1		Includes:		
13	BEARING-ball	76947-S	1	51	DECAL-grease fitting	24581	1
14	KEY-drive shaft	71674	1	52	SCREW-hex hd., 12-24 x 3/8	80837	4
15	SHAFT-drive	76945	1	53	WASHER-flat	84004-1	4
16	CAP-bearing	74137	2	54	SCREW-soc. hd., 1/2-13 x 1-1/2	80423	1
17	SEAL-shaft	76927	1	55	CRANK-pump	73858-3	1
18	SCREW-hex cap, 1/4-20 x 1-1/4	80388	4	56	SCREW-hex hd., 1/2-13 x 1-3/4	80627	12
19	WASHER-lock	83077-1	1	57	WASHER-lock, 1/2	83020	20
20	HOLDER-spanner wrench	62450-1	1	*58	PUMP BODY-upper	74118-10	1
21	WASHER-lock, 1/4	83009	9	59	WASHER-thrust	73856	2
22	SCREW-hex hd., 1/4-20 x 1	80284	6	60	PUMP ROD	A-74339	1
23	LINK-lifting	54803	1		Includes:		
*24	BRACKET-lifting	54802-1A	1	61	FITTING-grease	32409	1
25	WASHER-lock, 5/16	83002	8	62	PIN	76982	1
26	NUT-5/16-18	81162	4	63	BEARING-needle	74121-S	2
27	NUT-hex, 5/16-18	81018-1	4	64	WASHER	73857	1
*28	COVER-gear case	75882-2A	1	65	SCREW-hex hd., 3/8-16 x 3/4	80171	1
29	BEARING-needle	74251-S	2	66	SCREW-hex hd., 1/2-13 x 1-1/4	80272	4
30	BEARING-needle	76948-S	1	67	DIAPHRAGM	74351	1
31	WASHER-thrust	73850	2	68	PLATE-diaphragm	73706-1	1
32	SCREW-flat hd., 8-32 x 1/2	80143	4	69	PUMP BODY ASSEMBLY	A-74313	1
33	GASKET-gear case cover	74147	1		Includes: PIN (not shown)	54890-1	1
34	GEAR-main	73866-1A	1	*70	PLUG-wing	54551-2	1
35	SHAFT-gear	A-75672	1	71	GASKET	18108	1
	Includes:			*72	STAND PIPE-3"	74344-3	1
36	KEY	27752	2	73	SCREW-fil hd., 10-32 x 1/2	80393	4
37	SPACER	73885	1	74	PLATE-valve	74156	2
38	GEAR-intermediate	74352-1	1	75	VALVE-flapper	74154	2
39	GEAR	A-75706	1	76	WEIGHT-valve	74155-1	2
	Includes:			*77	SUCTION FITTING-3"	A-74348-1	1
40	KEY-#9 woodruff	74353-1	1		Includes: PIN (not shown)	54890-1	1
				78	FITTING-3" pipe	74343-1	2
				79	CHANNEL-base	76952-1	2
				80	SCREW-hex hd., 1/2-13 x 1	80446	4
				*81	DISCHARGE FITTING-3"	73874-3	1

#### Accessories

OIL-gear (pint can)	55291-C
STRAINER	74454-A
†STRAINER-with foot valve (for solids)	74354-A
†VALVE FOOT-for general pumping	A-26799
†VALVE-oil and gas resistant	74154-1
WRENCH-spanner	20024-B

#### Paint

RED-spray can	23475
BLACK-spray can	22772

#### FASTENING PARTS for electric motor

4 SCREWS-hex hd., 5/16-18 x 1-1/2	80087
4 WASHERS-lock, 5/16	83002
4 NUTS-5/16-18	81162

\* Denotes new parts

† Available on order

# HOMELITE®

**CONSTRUCTION  
& INDUSTRIAL  
EQUIPMENT**

**HOMELITE®**

**HOMELITE®**

**HOMELITE®**

\* textron  
DIVISION

PORT CHESTER, NEW YORK, U.S.A. 10573