

**Note:** See Page 29 for Ag Series Chemical Compatibility Chart

Pump Wet-End Kit: ..... **AP22WE** (UT-L1616Z)  
Includes all pump parts, EPDM seals, no engine

\* Included in A 43297 C EPDM Overhaul Seal Kit

REF.	PART NO.	DESCRIPTION	QTY.	REF.	PART NO.	DESCRIPTION	QTY.
1	04867 A	Engine, B&S Standard 3½ hp (AP22B) .....	1	14	43284 B	Impeller Screw, 5/16-24 x 3/4" .....	1
	15017	Engine, B&S Powerbuilt OHV 5½ hp (AP52B) .....	1	15	43324 A	Volute .....	1
	08171	Engine, Honda GX160 5½ hp (AP52H) .....	1	16	43285 C	Volute Screw, Stainless, 6-32 x 1/2" .....	2
2	42382	Shim, .010" .....	AR	17	46044 A	Volute Assembly Screw, 10-24 x 1-1/2" .....	AR
	42383	Shim, .015" .....	AR	*18	43300 B	Check Valve (EPDM) .....	1
3	43270 B	Impeller Housing .....	1	19	43278 A	Body [includes (2) Decals] .....	1
4	81172 B	Hex Nut, 1/4-20 .....	10	NS	08970	Decal, Fill Pump .....	1
5	83009	Lock Washer, 1/4" .....	10	NS	08971	Decal, Warning .....	1
*6	43752	O-Ring (EPDM) .....	1	*20 PS	46045 A	Screw, 1/4-20 x 2-1/2" .....	10
*7	43313	O-Ring, Screw (EPDM) .....	5	*21	43315	O-Ring, Fill Plug (EPDM) .....	1
8	43302 B	Bracket Screw, Pan Head, Stainless .....	4	22	43311 A	Filler Plug [Note: #21 O-Ring not included] .....	1
*9	43314	O-Ring, Segment (EPDM) .....	1	23	46317 A	Drain Plug .....	1
*10	43312	O-Ring, Body (EPDM) .....	1	24	02964	Slinger .....	1
*11	43303 A	Shaft Seal (EPDM) .....	1	*25	43880 A	Decal, EPDM .....	1
12	43301 A	Key, 3/16 x 3/16 x 1 .....	1	NS	09081	Decal, Safety Sign (On Engine) .....	1
13	43274 B	Impeller .....	1				

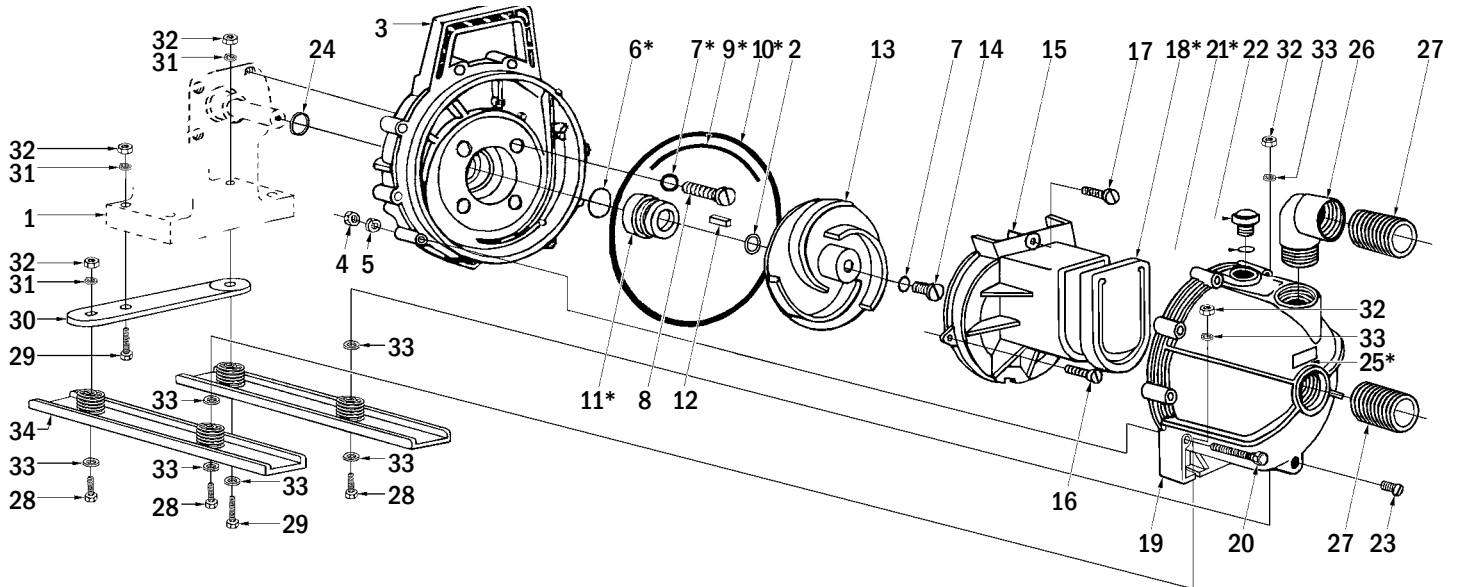
**TORQUE SPECS**

REF NO.	Inch Pounds	Newton Meters	Notes:
8	70-90	7.9-10.2	Use Loctite Red 262
14	20-25	2.3-2.8	Use Loctite Red 262
16	15-20	1.7-2.3	
17	15-20	1.7-2.3	
20	20-25	2.3-2.8	

**OTHER PARTS & ACCESSORIES:**

PART NO.	DESCRIPTION
A 43297 C	EPDM Repair Kit
A 43318	Skid Kit
A 47832 A	Buna-N Repair Kit
L 17043	Owner's Manual
19189 B	Spanner Wrench, 2"
15036	Foot Valve, 2"
15082	Reducer Bushing, 2" to 1-1/2"
A 15141	Roll Cage Kit

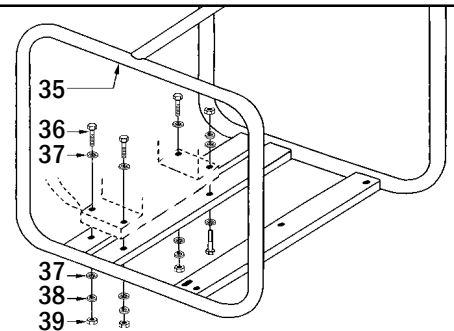
**AP32B (UT-L1551Z) • AP62B (UT-L1618Z) • AP62Y (UT-L1667Z)**



REF.	PART NO.	DESCRIPTION	QTY.
1	04867 A	Engine, B&S Standard 3½ hp (AP32B) .....	1
	15017	Engine, B&S Powerbuilt OHV 5½ hp (AP62B) .....	1
	15075	Engine, Yanmar Diesel (AP62Y) .....	1
2	42382	Shim, .010" .....	AR
	42383	Shim, .015" .....	AR
3	43270 B	Impeller Housing .....	1
4	81172 B	Hex Nut, 1/4 - 20 .....	10
5	83009	Lock Washer, 1/4" .....	10
*6	43751	O-Ring (Buna-N) .....	1
*7	67900	O-Ring, Screw (Buna-N) .....	5
8	43302 B	Screw, Pan Head, SS (AP32B, AP62B) .....	4
	15199 1	Screw, Pan Head, SS (AP62Y) .....	4
*9	43272	O-Ring, Segment (Buna-N) .....	1
*10	43273	O-Ring, Body (Buna-N) .....	1
*11	43271	Shaft Seal (Buna-N) .....	1
12	43301 A	Key, 3/16 x 3/16 x 1 .....	1
13	43274 B	Impeller .....	1
14	43284 B	Impeller Screw, 5/16-24 x 3/4" .....	1
15	43324 A	Volute .....	1
16	43285 C	Volute Screw, Stainless, 6-32 x 1/2" .....	2
17	46044 A	Volute Assembly Screw, 10-24 x 1-1/2" .....	AR
*18	43276 B	Check Valve (Buna-N) .....	1
19	43278 A	Body [includes (2) Decals] .....	1
NS	08970	Decal, Fill Pump .....	1
NS	08971	Decal, Warning .....	1
20	PS 46045 A	Screw, 1/4-20 x 2-1/2" .....	10
*21	43316	O-Ring, Fill Plug (Buna-N) .....	1
22	43311 A	Filler Plug [Note: #21 O-Ring not included] .....	1
23	46317 A	Drain Plug .....	1
24	02964	Slinger .....	1
*25	48328	Decal, Buna-N .....	1

Pump Wet-End Kit: ..... **AP32WE (UT-L1633Z)**  
Includes all pump parts (no skids or roll cage), Buna-N seals, no engine

**AP62Y Roll Cage**



REF.	PART NO.	DESCRIPTION	QTY.
NS	09081	Decal, Safety Sign (On Engine) .....	1
26	43305	Street Elbow, 2" .....	1
27	03040	Nipple, 2" .....	2
NS	43307	Strainer.....	1
28	46053 A	Screw, Hex, 5/16 x 1" (AP32B, AP62B) .....	3
29	80288	Screw, Hex, 5/16 x 1-3/4" (AP32B, AP62B) ....	2
30	43262 1	Mounting Bar (AP32B, AP62B) .....	1
31	83002	Lock Washer, 5/16" (AP32B, AP62B) .....	3
32	81162	Hex Nut, 5/16-18 (AP32B, AP62B) .....	5
33	84046	Washer, Flat, 5/16" (AP32B, AP62B) .....	8
34	A 43263	Skid Assembly (AP32B, AP62B) .....	2
35	15124	Roll Cage (AP62Y) .....	1
36	80098	Screw, Hex, 3/8 x 1-3/4" (AP62Y) .....	4
37	84010	Washer, Flat, 3/8" (AP62Y) .....	8
38	83018	Lock Washer, 3/8" (AP62Y) .....	4
39	81043	Hex Nut, 3/8 (AP62Y) .....	4

**TORQUE SPECS**

REF NO.	Inch Pounds	Newton Meters	Notes:
8	70-90	7.9-10.2	Use Loctite Red 262
14	20-25	2.3-2.8	Use Loctite Red 262
16	15-20	1.7-2.3	
17	15-20	1.7-2.3	
20	20-25	2.3-2.8	
27	140-160	15.8-18.1	
28	140-160	15.8-18.1	

**Note:** See Page 29 for Ag Series Chemical Compatibility Chart

**OTHER PARTS & ACCESSORIES:**

PART NO.	DESCRIPTION
A 43297 C	EPDM Repair Kit
A 47832 A	Buna-N Repair Kit
L 17043	Owner's Manual
43307	Strainer, 2", Plastic
19189 B	Spanner Wrench, 2"
15036	Foot Valve, 2"
15082	Reducer Bushing, 2" to 1-1/2"
A 15141	Roll Cage Kit

\* Included in A 47832 A  
Buna-N Overhaul Seal Kit