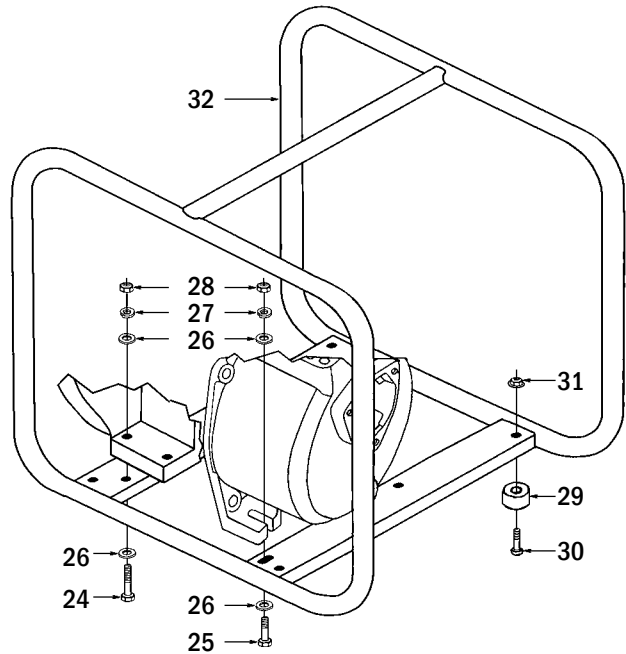


REF.	PART NO.	DESCRIPTION	QTY.
NS	15134	Engine, B&S 3.5hp (E20CB)	1
NS	00971	Engine, Honda 5.5hp (E20CH)	1
1	40112	Screw, 5/16 x 1-3/4 UNF	4
2	40146	Washer, Flat, 8mm	4
*3	62874	Sealing Washer	4
*4	A 40123	Shaft Seal Assembly	1
*5	40024	O-Ring, Large	1
6	40026	Impeller	1
7	40027	Impeller Housing	1
*8	40028	O-Ring, Impeller Housing	1
9	40022	Pump Body	1
*10	40029	Check Valve	1
11	40030	Suction Fitting	1
12	A 40125	Drain & Fill Plug (includes #13)	2
*13	40032	O-Ring	2
*14	40034	Gasket	1
15	40033	Discharge Fitting	1
16	40109	Screw, 8mm x 30mm	4
17	40110	Screw, 8mm x 25mm	7
*18	62872	Shim, .010"	AR
	62873	Shim, .015"	AR
19	84004	Washer	AR
20	40064	Pump Spacer	1
21	40021	Back Plate	1
22	40117	Stud, 4mm x 50mm	2
	40118	Stud, 4mm x 60mm	1
23	40119	Cap Nut, 4mm	3
24	80087	Screw, 5/16 x 1-1/2	2
25	80085	Screw, 5/16 x 1	2
26	84032	Washer, Flat, 5/16	8
27	83002	Lock Washer, 5/16	4
28	81162	Nut, Hex 5/16	4
29	40063	Rubber Foot	4
30	40113	Screw, Phillips	4
31	40114	Nut	4
32	40062	Roll Cage	1
NS	40035	Strainer, Plastic 2"	1

* Included in A 40151 Overhaul Seal Kit



OTHER PARTS & ACCESSORIES:

PART NO.	DESCRIPTION
L 24039	Owner's Manual
A 40151	Overhaul Seal Kit
19189 B	Spanner Wrench, 2"
15036	Foot Valve, 2"
30128	Strainer, Steel, 2"