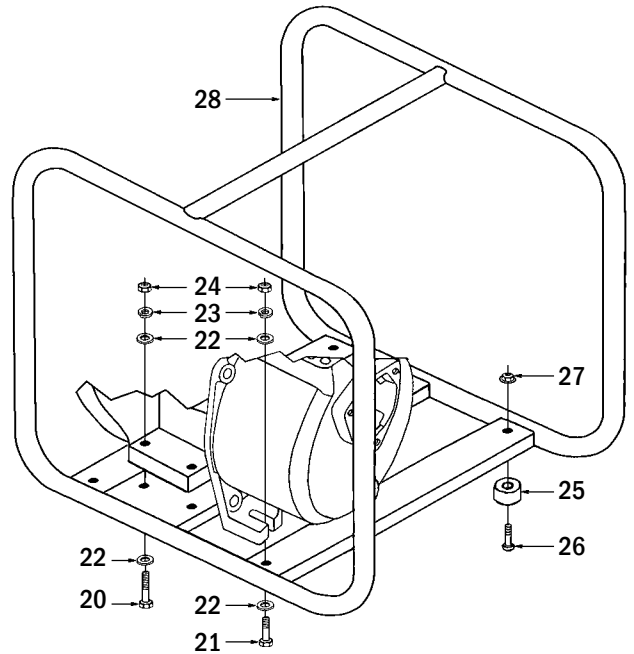


REF.	PART NO.	DESCRIPTION	QTY.
NS	15135	Engine, B&S (E30CB)	1
NS	00971	Engine, Honda 5.5hp (E30CH)	1
1	40112	Screw, 5/16 x 1-3/4 UNF	4
2	40146	Washer, Flat, 8mm	4
*3	62874	Sealing Washer	4
*4	A 40123	Shaft Seal Assembly	1
*5	40039	O-Ring, Large	1
6	40040	Impeller	1
7	40041	Impeller Housing	1
*8	40042	O-Ring, Impeller Housing	1
9	40037	Pump Body	1
*10	40043	Check Valve	1
11	40044	Suction Fitting	1
12	A 40125	Drain & Fill Plug (includes #13)	2
*13	40032	O-Ring	2
*14	40045	Gasket	1
15	40046	Discharge Fitting	1
16	40109	Screw, 8mm x 30mm	4
*17	62872	Shim, .010"	AR
	62873	Shim, .015"	AR
18	40064	Pump Spacer	1
19	40036	Back Plate	1
20	80087	Screw, 5/16 x 1-1/2	2
21	80088	Screw, 5/16 x 1-1/4	2
22	84032	Washer, Flat, 5/16	8
23	83002	Lock Washer, 5/16	4
24	81162	Nut, Hex 5/16	4
25	40063	Rubber Foot	4
26	40113	Screw, Phillips,	4
27	40114	Nut	4
28	40154	Roll Cage	1
29	40110	Screw, 8mm x 25mm	8
30	40118	Stud, 4mm x 60mm	3
31	40119	Cap Nut, 4mm	3
32	84056	Spacer, Impeller	2
NS	40047	Strainer, Plastic 3"	1

* Included in A 40152 Overhaul Seal Kit



OTHER PARTS & ACCESSORIES:

PART NO.	DESCRIPTION
L 24039	Owner's Manual
A 40152	Overhaul Seal Kit
20024 B	Spanner Wrench Kit, 3"
15037	Foot Valve, 3"
30129	Strainer, Steel, 3"