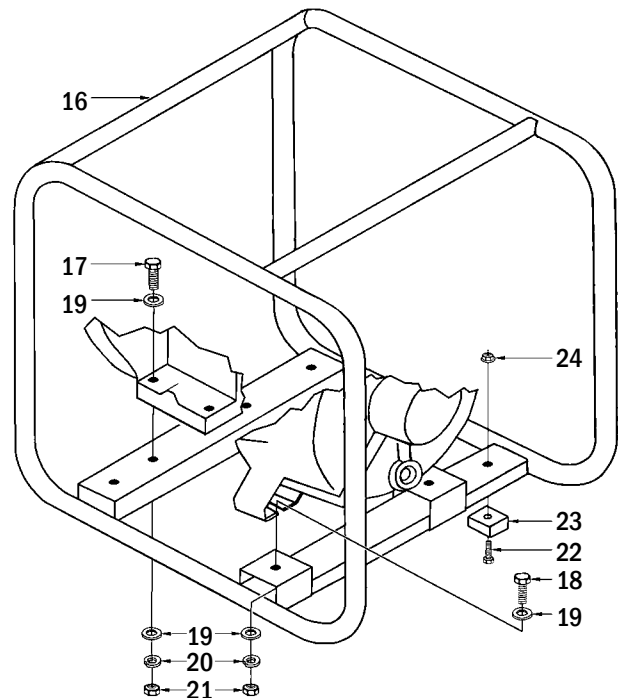


* Included in A 40153 Overhaul Seal Kit

REF.	PART NO.	DESCRIPTION	QTY.
NS	15135	Engine, B&S 5.5 (E30TB)	1
NS	00971	Engine, Honda 5.5hp (E30TH)	1
1	40111	Socket Head Screw, 5/16-24 x 1-1/4	4
2	40146	Washer, Flat	4
*3	62874	Sealing Washer	4
*4	A 40157	Shaft Seal Assembly	1
5	40051	Impeller	1
*6	40052	O-Ring	1
7	40053	Impeller Housing	1
*8	40054	O-Ring, Large	1
*9	40055	Check Valve	1
10	40049	End Housing	1
11	A 40125	Fill/Drain Plug (includes #12)	2
*12	40032	O-Ring	2
*13	40056	O-Ring	6
14	40057	T-Bolt	6
15	40048	Pump Body	1
16	40065	Roll Cage	1
17	80087	Screw, 5/16 x 1-1/2	2
18	80085	Screw, 5/16 x 1	2
19	84032	Flat Washer, 5/16	8
20	83002	Lock Washer, 5/16	4
21	81162	Hex Nut, 5/16	4
22	40115	Screw	4
23	40061	Rubber Foot	4
24	40116	Nut	4
25	40058	Strainer, 3" Steel	1



OTHER PARTS & ACCESSORIES:

PART NO.	DESCRIPTION
L 24039	Owner's Manual
A 40153	Overhaul Seal Kit
20024 B	Spanner Wrench Kit, 3"
15037	Foot Valve, 3"