

\* Included in A 48373 A Overhaul Seal Kit

REF.	PART NO.	DESCRIPTION	QTY.
1	15131	Engine, B&S Vanguard 6½hp (S2B)	1
	00971	Engine, Honda GX160 5½hp (S2H)	1
*2	76885 A	Slinger	1
3	80088	Screw, Hex Head, 5/16-18 x 1-1/4"	4
4	83002	Lock Washer, 5/16"	4
5	62987 2A	Impeller Housing	1
*6	62874	Sealing Washer	4
7	80927	Screw, Hex Head, 5/16-24 x 2-1/4"	4
*8	62861 2	Seal Assembly	1
9	62882 A	Seal Shim, .010"	AR
	62883 A	Seal Shim, .015"	AR
10	84056	Spacer	1
11	62872	Impeller Shim, .010"	AR
	62873	Impeller Shim, .015"	AR
12	62988 2	Impeller	1
*13	54070 A	Gasket, Large	2
14	54066 1A	Wear Plate	1
*15	54069	Gasket, Small	1
16	A 43971	Filler Plug [includes #17]	1
*17	18108	Gasket	1
18	A 47629	End Housing [includes #19 - 22]	1
19	75663 1	Suction Nipple, 2" NPT x 2"	1
20	54151 1	Discharge Nipple, 2" NPT x 3-1/2"	1
21	08970	Decal, Fill Pump	1
22	08971	Decal, Warning	1
23	A 43896	Drain Plug [includes #24]	1
*24	59910	Gasket	1
25	09081	Decal, Safety Sign (On Engine)	1
NS PS	30128	Suction Strainer, 2"	1

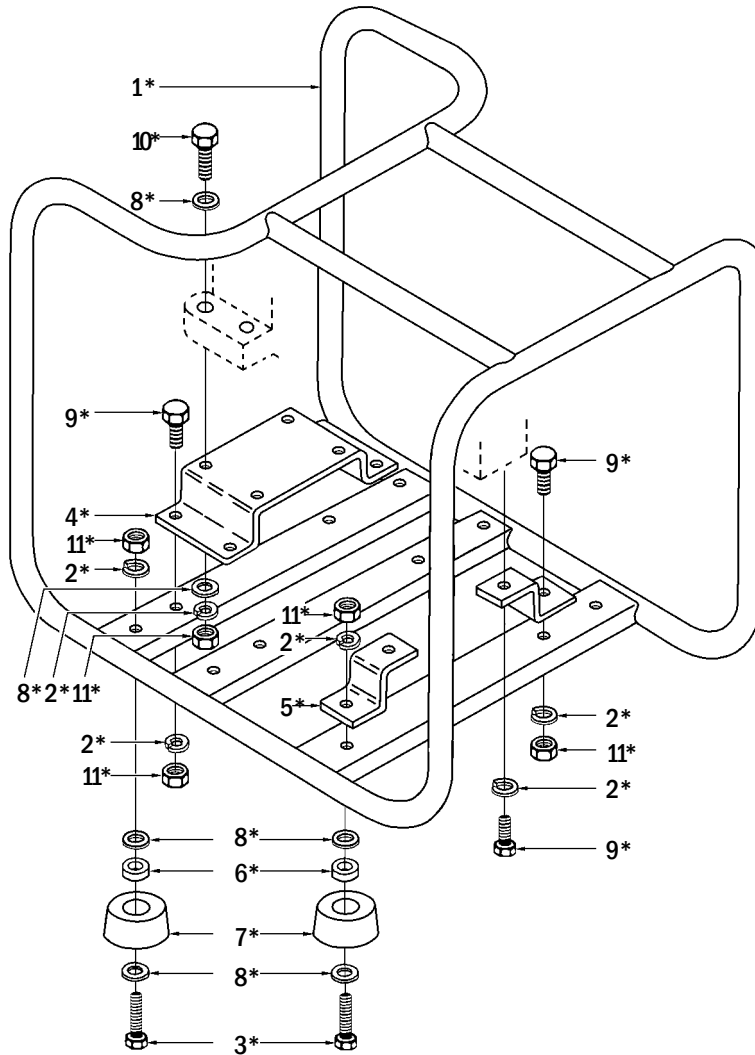
Pump Wet-End Kit: ..... **S2WE (UT-L1628Z)**  
Includes all pump parts, no engine, no roll cage

**OTHER PARTS & ACCESSORIES:**

PART NO.	DESCRIPTION
A 48373 A	Overhaul Seal Kit
30128	Suction Strainer, 2"
15036	Foot Valve, 2"
L 19955	Owner's Manual
A 15060	Spanner Wrench Kit, 2"
A 15043	Dolly Kit
A 15022	Roll Cage Kit

**TORQUE SPECS**

REF NO.	Inch Pounds	Newton Meters	Notes:
3	130-145	14.7-16.4	
7	130-145	14.7-16.4	



\* Included in A 15022 Roll Cage Kit

REF.	PART NO.	DESCRIPTION	QTY.
*1	A 08096	Roll Cage .....	1
*2	83002	Lock Washer, 5/16" .....	15
*3	80088	Screw, Hex Head, 5/16-18 x 1-1/4" .....	4
*4	08101	Engine Support .....	1
*5	08102	Pump Support .....	2
*6	49733	Foot Spacer.....	4
*7	48789	Rubber Foot .....	4
*8	84032	Washer, Flat, 5/16" .....	12
*9	80083	Screw, Hex Head, 5/16-18 x 3/4" .....	7
*10	80087	Screw, Hex Head, 5/16-18 x 1-1/2" .....	4
*11	81162	Hex Nut, 5/16-18 .....	13

**TORQUE SPECS**

REF NO.	Inch Pounds	Newton Meters	Notes:
1	130-145	14.7-16.4	
9	205-225	23.2-25.4	17-18.8 Lbs.-Ft.
10	205-225	23.2-25.4	17-18.8 Lbs.-Ft.