



Parts Manual

Ag Series Pumps

AP22B / AP52B / AP52H / AP52K Agricultural Pumps	2
(Parts also fit many Homelite AP220 / AP520)	
AP32B / AP62B Agricultural Pumps	3
(Parts also fit many Homelite AP320)	
AP24B / AP54B / AP54K Agricultural Pumps	4
AP64Y Agricultural Pumps	5

Premium Series Pumps

DP2B / DP2H Diaphragm Pumps	6-7
(Parts also fit many Homelite 111DP2 / HDP2)	
DP3B / DP3H / DP3Y Diaphragm Pumps	8-9
(Parts also fit many Homelite 111DP3 / HDP3)	
FP25V / FP25H / FP25HE / FP25K / FP25Y / FP25YE Pressure Pumps	10-11
(Parts also fit many Homelite FP250)	
S2B / S2BP / S2H Standard Centrifugal Pumps	12-13
(Parts also fit many Homelite 111S2)	
S3 Standard Centrifugal Pump	14-15
(Parts also fit many Homelite 120S3)	
TP2B / TP2H / TP2Y Trash Pumps	16-17
(Parts also fit many Homelite 121TP2 / HTP2)	
TP3B / TP3H / TP3Y Trash Pumps	18-19
(Parts also fit many Homelite 120TP3 / HTP3)	
TP4V Trash Pumps	20-21
(Parts also fit many Homelite 160TP4 / VTP4)	

ECONO-lite Series Pumps

E15PB / E15PH Pressure Pumps	22-23
E20CB / E20CH Standard Centrifugal Pumps	24
E30CB / E30CH Standard Centrifugal Pumps	25
E30TB / E30TH Semi-Trash Pumps	26

Accessories, Reference Information

Crankshaft Configuration Drawings	27
Hoses, Fittings, Kits	28-30
Agricultural Pump Seal Compatibility	31

Abbreviations:

AR = As Required

NS = Not Shown in Exploded Parts View

For Engine Parts, contact the engine

manufacturer's distributor/dealer network.

Moree Industries LLC / Riverside Pumps

P.O. Box 579

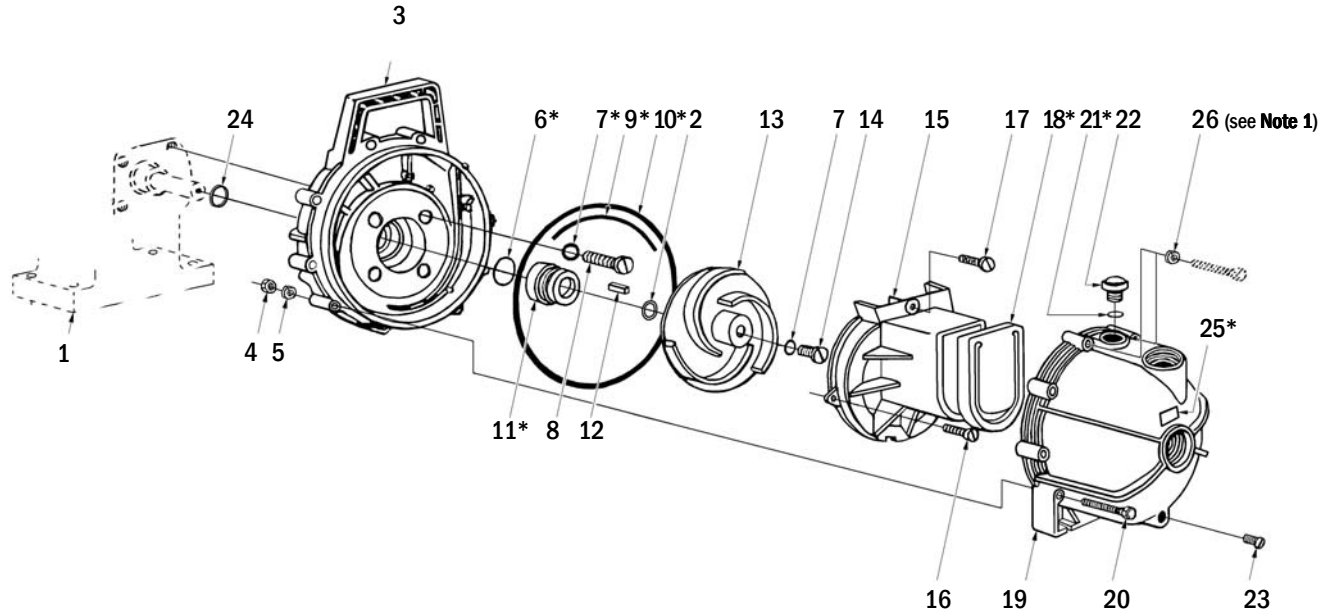
Cheraw SC 29520 USA

Phone: 843.537.5589

FAX: 843.537.6990

website: www.riversidepumpmfg.com

email: sales@riversidepumpmfg.com



* Included in A 43297 C EPDM Overhaul Seal Kit

Pump Wet-End Kit: **AP22WE (UT-L1616Z)**

Note: See Page 31 for Ag Series Chemical Compatibility Chart

Includes all pump parts, EPDM seals, no engine

REF.	PART NO.	DESCRIPTION	QTY.
1	04867 A	Engine, B&S Standard 3½ hp (AP22B)	1
	15017	Engine, B&S Powerbuilt OHV 5½ hp (AP52B)	1
	15228	Engine, Kohler OHV 5½ hp (AP52K)	1
	08171	Engine, Honda GX160 5½ hp (AP52H)	1
2	42382	Shim, .010"	AR
	42383	Shim, .015"	AR
3	43270 B	Impeller Housing	1
4	81172 B	Hex Nut, 1/4-20	10
5	83009	Lock Washer, 1/4" (see also #26)	10
*6	43752	O-Ring (EPDM)	1
*7	43313	O-Ring, Screw (EPDM)	5
8	43302 B	Bracket Screw, Pan Head, Stainless	4
*9	43314	O-Ring, Segment (EPDM)	1
*10	43312	O-Ring, Body (EPDM)	1
*11	43303 A	Shaft Seal (EPDM)	1
12	43301 A	Key, 3/16 x 3/16 x 1	1

REF.	PART NO.	DESCRIPTION	QTY.
13	43274 B	Impeller	1
14	43284 B	Impeller Screw, 5/16-24 x 3/4"	1
15	43324 A	Volute	1
16	43285 C	Volute Screw, Stainless, 6-32 x 1/2"	2
17	46044 A	Volute Assembly Screw, 10-24 x 1-1/2"	AR
*18	43300 B	Check Valve (EPDM)	1
19	A 43278 A	Body [includes (2) Decals]	1
NS	08970	Decal, Fill Pump	1
NS	08971	Decal, Warning	1
*20	PS 46045 A	Screw, 1/4-20 x 2-1/2"	10
*21	43315	O-Ring, Fill Plug (EPDM)	1
22	43311 A	Filler Plug [Note: #21 O-Ring not included]	1
23	46317 A	Drain Plug	1
24	02964	Slinger	1
*25	43880 A	Decal, EPDM	1
NS	09081	Decal, Safety Sign (On Engine)	1
26	83009	Lock Washer, 1/4" (see note 1; see also #5)	2

Note 1: On AP52K (Kohler-powered pump) only, use 83009 lockwashers on the top two screws, to improve fuel tank clearance.)

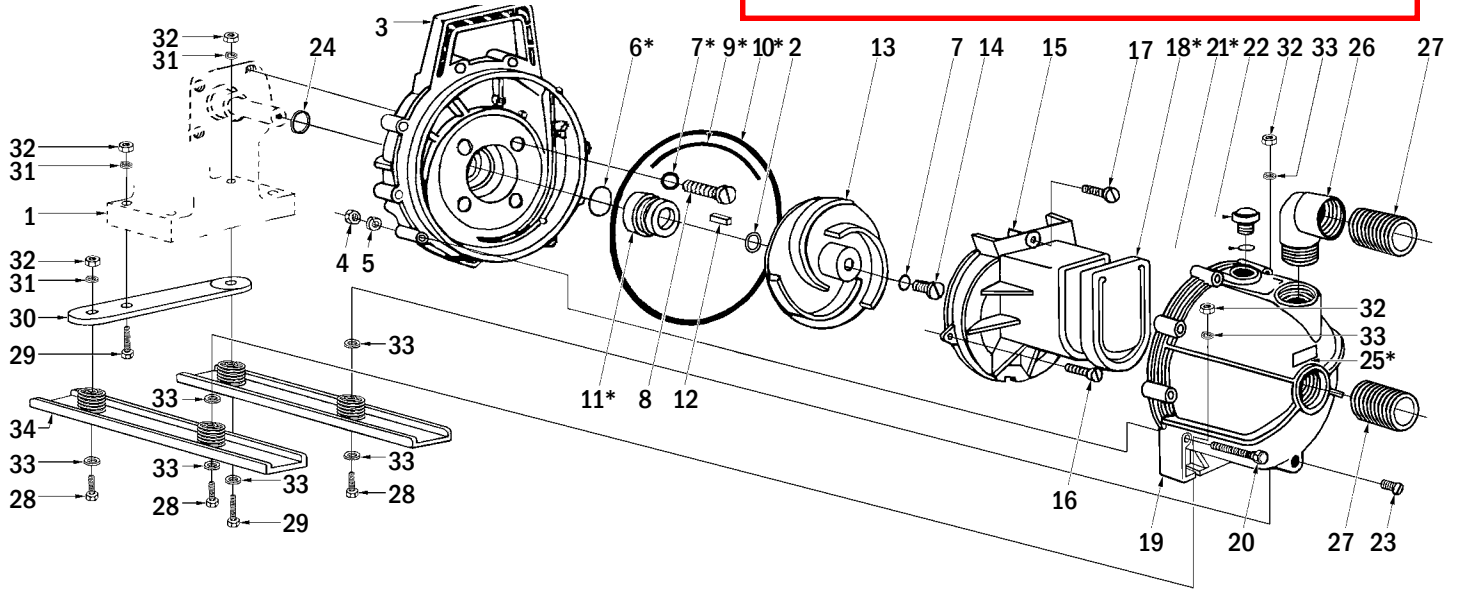
TORQUE SPECS

REF NO.	Inch Pounds	Newton Meters	Notes:
8	70-90	7.9-10.2	Use Loctite Red 262
14	20-25	2.3-2.8	Use Loctite Red 262
16	15-20	1.7-2.3	
17	15-20	1.7-2.3	
20	20-25	2.3-2.8	

OTHER PARTS & ACCESSORIES:

PART NO.	DESCRIPTION
A 43297 C	EPDM Repair Kit
A 47832 A	Buna-N Repair Kit
L 17043	Owner's Manual
43307	Strainer, 2", Plastic
19189 B	Spanner Wrench, 2"
15036	Foot Valve, 2"
15082	Reducer Bushing, 2" to 1-1/2"
A 15141	Roll Cage Kit

Note:
These models are not in current Riverside Pumps production. The AP24B and AP54B are the same pumps, without Skid Mounts.



* Included in A 47832 A Buna-N Overhaul Seal Kit

Pump Wet-End Kit: **AP24WE** (UT-L1633Z)
 Includes all pump parts (no skids), Buna-N seals, no engine

Note: See Page 31 for Ag Series Chemical Compatibility Chart

REF.	PART NO.	DESCRIPTION	QTY.
1	04867 A	Engine, B&S Standard 3½ hp (AP32B)	1
	15017	Engine, B&S Powerbuilt OHV 5½ hp (AP62B)	1
2	42382	Shim, .010"	AR
	42383	Shim, .015"	AR
3	43270 B	Impeller Housing	1
4	81172 B	Hex Nut, 1/4 - 20	10
5	83009	Lock Washer, 1/4"	10
*6	43751	O-Ring (Buna-N)	1
*7	67900	O-Ring, Screw (Buna-N)	5
8	43302 B	Screw, Pan Head, SS (AP32B, AP62B)	4
*9	43272	O-Ring, Segment (Buna-N)	1
*10	43273	O-Ring, Body (Buna-N)	1
*11	43271	Shaft Seal (Buna-N)	1
12	43301 A	Key, 3/16 x 3/16 x 1	1
13	43274 B	Impeller	1
14	43284 B	Impeller Screw, 5/16-24 x 3/4"	1
15	43324 A	Volute	1
16	43285 C	Volute Screw, Stainless, 6-32 x 1/2"	2
17	46044 A	Volute Assembly Screw, 10-24 x 1-1/2"	AR
*18	43276 B	Check Valve (Buna-N)	1

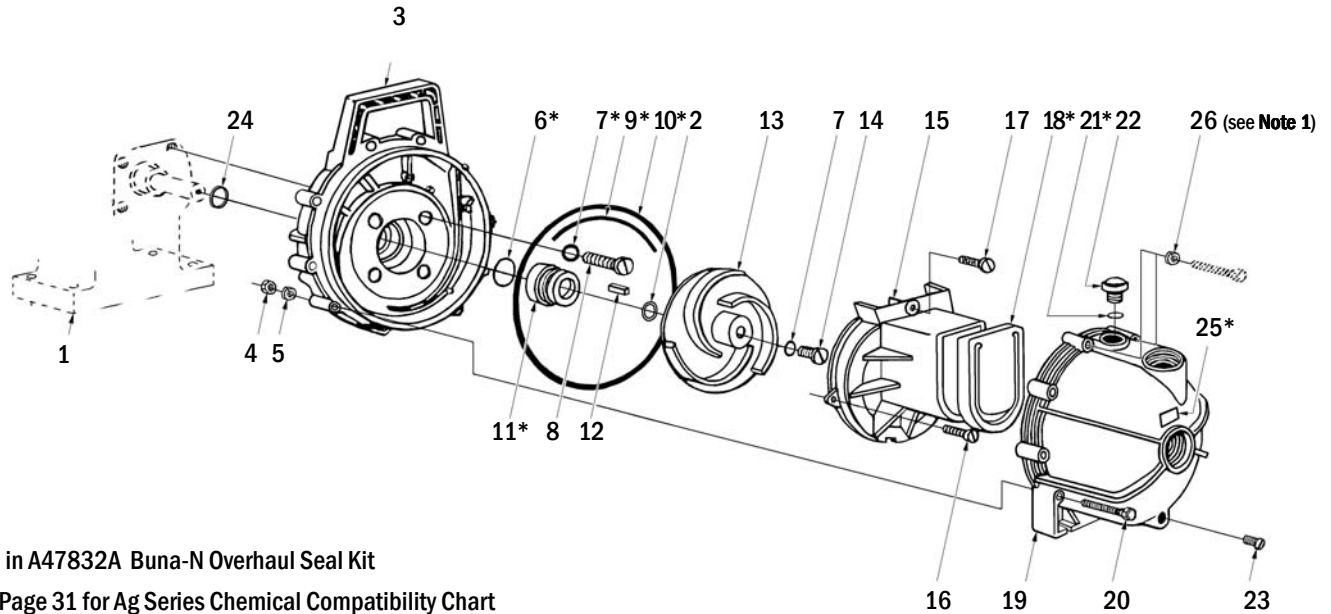
REF.	PART NO.	DESCRIPTION	QTY.
19	A 43278 A	Body [includes (2) Decals]	1
NS	08970	Decal, Fill Pump	1
NS	08971	Decal, Warning	1
20	PS 46045 A	Screw, 1/4-20 x 2-1/2"	10
*21	43316	O-Ring, Fill Plug (Buna-N)	1
22	43311 A	Filler Plug [Note: #21 O-Ring not included]	1
23	46317 A	Drain Plug	1
24	02964	Slinger	1
*25	48328	Decal, Buna-N	1
NS	09081	Decal, Safety Sign (On Engine)	1
26	43305	Street Elbow, 2"	1
27	03040	Nipple, 2"	2
NS	43307	Strainer.....	1
28	46053 A	Screw, Hex, 5/16 x 1"	3
29	80288	Screw, Hex, 5/16 x 1-3/4"	2
30	43262 1	Mounting Bar	1
31	83002	Lock Washer, 5/16"	3
32	81162	Hex Nut, 5/16-18	5
33	84046	Washer, Flat, 5/16"	8
34	A 43263	Skid Assembly (No Longer Available)	2

TORQUE SPECS

REF NO.	Inch Pounds	Newton Meters	Notes:
8	70-90	7.9-10.2	Use Loctite Red 262
14	20-25	2.3-2.8	Use Loctite Red 262
16	15-20	1.7-2.3	
17	15-20	1.7-2.3	
20	20-25	2.3-2.8	
27	140-160	15.8-18.1	
28	140-160	15.8-18.1	

OTHER PARTS & ACCESSORIES:

PART NO.	DESCRIPTION
A 43297 C	EPDM Repair Kit
A 47832 A	Buna-N Repair Kit
L 17043	Owner's Manual
43307	Strainer, 2", Plastic
19189 B	Spanner Wrench, 2"
15036	Foot Valve, 2"
15082	Reducer Bushing, 2" to 1-1/2"
A 15141	Roll Cage Kit



* Included in A47832A Buna-N Overhaul Seal Kit

Note: See Page 31 for Ag Series Chemical Compatibility Chart

Pump Wet-End Kit: **AP24WE (UT-L1633Z)**
Includes all pump parts, Buna-N seals, no engine

REF.	PART NO.	DESCRIPTION	QTY.
1	04867 A	Engine, B&S Standard 3½ hp (AP24B)	1
	15017	Engine, B&S Powerbuilt OHV 5½ hp (AP54B)	1
	15228	Engine, Kohler OHV 5½ hp (AP54K)	1
2	42382	Shim, .010"	AR
	42383	Shim, .015"	AR
3	43270 B	Impeller Housing	1
4	81172 B	Hex Nut, 1/4 - 20	10
5	83009	Lock Washer, 1/4"	10
*6	43751	O-Ring (Buna-N)	1
*7	67900	O-Ring, Screw (Buna-N)	5
8	43302 B	Screw, Pan Head, SS (AP32B, AP62B)	4
*9	43272	O-Ring, Segment (Buna-N)	1
*10	43273	O-Ring, Body (Buna-N)	1
*11	43271	Shaft Seal (Buna-N)	1
12	43301 A	Key, 3/16 x 3/16 x 1	1

REF.	PART NO.	DESCRIPTION	QTY.
13	43274 B	Impeller	1
14	43284 B	Impeller Screw, 5/16-24 x 3/4"	1
15	43324 A	Volute	1
16	43285 C	Volute Screw, Stainless, 6-32 x 1/2"	2
17	46044 A	Volute Assembly Screw, 10-24 x 1-1/2"	AR
*18	43276 B	Check Valve (Buna-N)	1
19	A 43278 A	Body [includes (2) Decals]	1
NS	08970	Decal, Fill Pump	1
NS	08971	Decal, Warning	1
20	PS 46045 A	Screw, 1/4-20 x 2-1/2"	10
*21	43316	O-Ring, Fill Plug (Buna-N)	1
22	43311 A	Filler Plug [Note: #21 O-Ring not included]	1
23	46317 A	Drain Plug	1
24	02964	Slinger	1
*25	48328	Decal, Buna-N	1
NS	09081	Decal, Safety Sign (On Engine)	1
26	83009	Lock Washer, 1/4" (see note 1; see also #5)	2

Note 1: On AP54K (Kohler-powered pump) only, use 83009 lockwashers on the top two screws, to improve fuel tank clearance.)

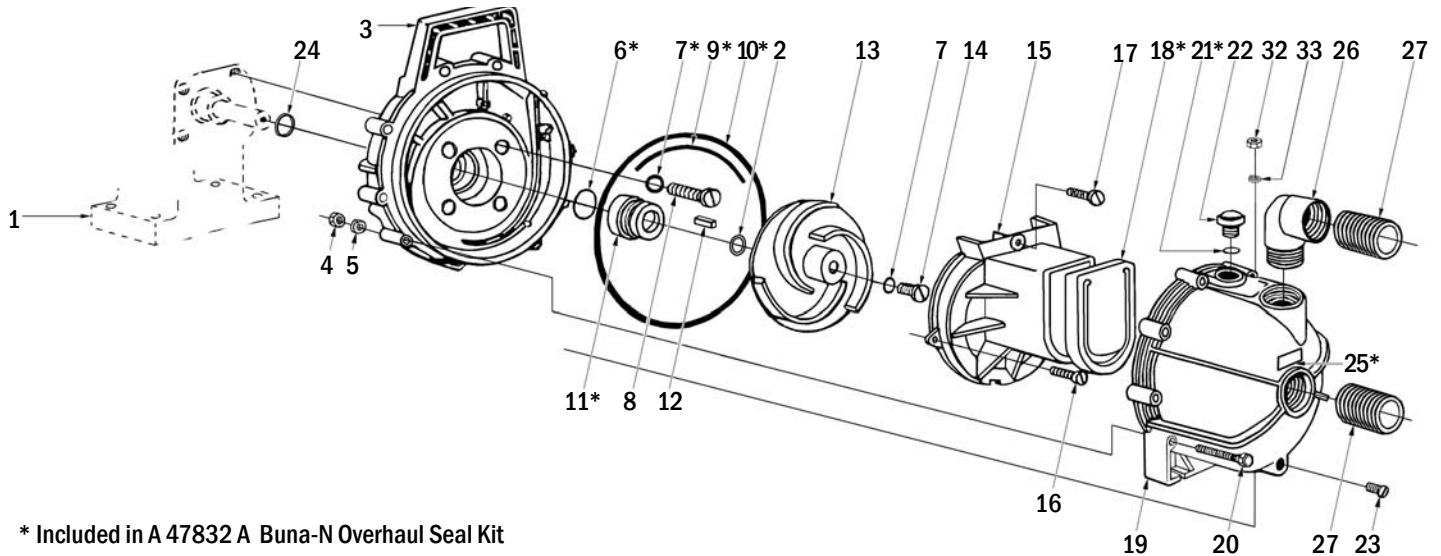
TORQUE SPECS

REF NO.	Inch Pounds	Newton Meters	Notes:
8	70-90	7.9-10.2	Use Loctite Red 262
14	20-25	2.3-2.8	Use Loctite Red 262
16	15-20	1.7-2.3	
17	15-20	1.7-2.3	
20	20-25	2.3-2.8	

OTHER PARTS & ACCESSORIES:

PART NO.	DESCRIPTION
A 43297 C	EPDM Repair Kit
A 47832 A	Buna-N Repair Kit
L 17043	Owner's Manual
43307	Strainer, 2", Plastic
19189 B	Spanner Wrench, 2"
15036	Foot Valve, 2"
15082	Reducer Bushing, 2" to 1-1/2"
A 15141	Roll Cage Kit

AP64Y (UT-L1667Z)



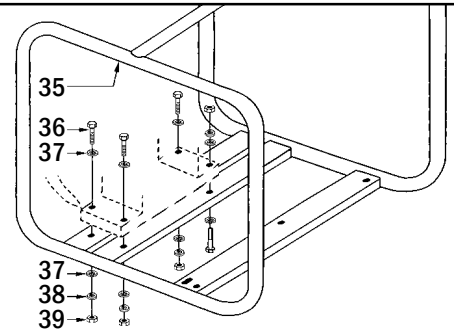
* Included in A 47832 A Buna-N Overhaul Seal Kit

Note: See Page 31 for Ag Series Chemical Compatibility Chart

REF.	PART NO.	DESCRIPTION	QTY.
1	15075	Engine, Yanmar Diesel	1
2	42382	Shim, .010"	AR
	42383	Shim, .015"	AR
3	43270 B	Impeller Housing	1
4	81172 B	Hex Nut, 1/4 - 20	10
5	83009	Lock Washer, 1/4"	10
*6	43751	O-Ring (Buna-N)	1
*7	67900	O-Ring, Screw (Buna-N)	5
8	15199 1	Screw, Pan Head, SS	4
*9	43272	O-Ring, Segment (Buna-N)	1
*10	43273	O-Ring, Body (Buna-N)	1
*11	43271	Shaft Seal (Buna-N)	1
12	43301 A	Key, 3/16 x 3/16 x 1	1
13	43274 B	Impeller	1
14	43284 B	Impeller Screw, 5/16-24 x 3/4"	1
15	43324 A	Volute	1
16	43285 C	Volute Screw, Stainless, 6-32 x 1/2"	2
17	46044 A	Volute Assembly Screw, 10-24 x 1-1/2"	AR
*18	43276 B	Check Valve (Buna-N)	1
19	A 43278 A	Body [includes (2) Decals]	1
NS	08970	Decal, Fill Pump	1
NS	08971	Decal, Warning	1
20	PS 46045 A	Screw, 1/4-20 x 2-1/2"	10
*21	43316	O-Ring, Fill Plug (Buna-N)	1
22	43311 A	Filler Plug [Note: #21 O-Ring not included]	1
23	46317 A	Drain Plug	1
24	02964	Slinger	1
*25	48328	Decal, Buna-N	1

Pump Wet-End Kit: **AP24WE (UT-L1633Z)**
Includes all pump parts (no roll cage), Buna-N seals, no engine

AP64Y Roll Cage



REF.	PART NO.	DESCRIPTION	QTY.
NS	09081	Decal, Safety Sign (On Engine)	1
26	43305	Street Elbow, 2"	1
27	03040	Nipple, 2"	2
NS	43307	Strainer	1
35	15124	Roll Cage	1
36	80098	Screw, Hex, 3/8 x 1-3/4"	4
37	84010	Washer, Flat, 3/8"	8
38	83018	Lock Washer, 3/8"	4
39	81043	Hex Nut, 3/8"	4

TORQUE SPECS

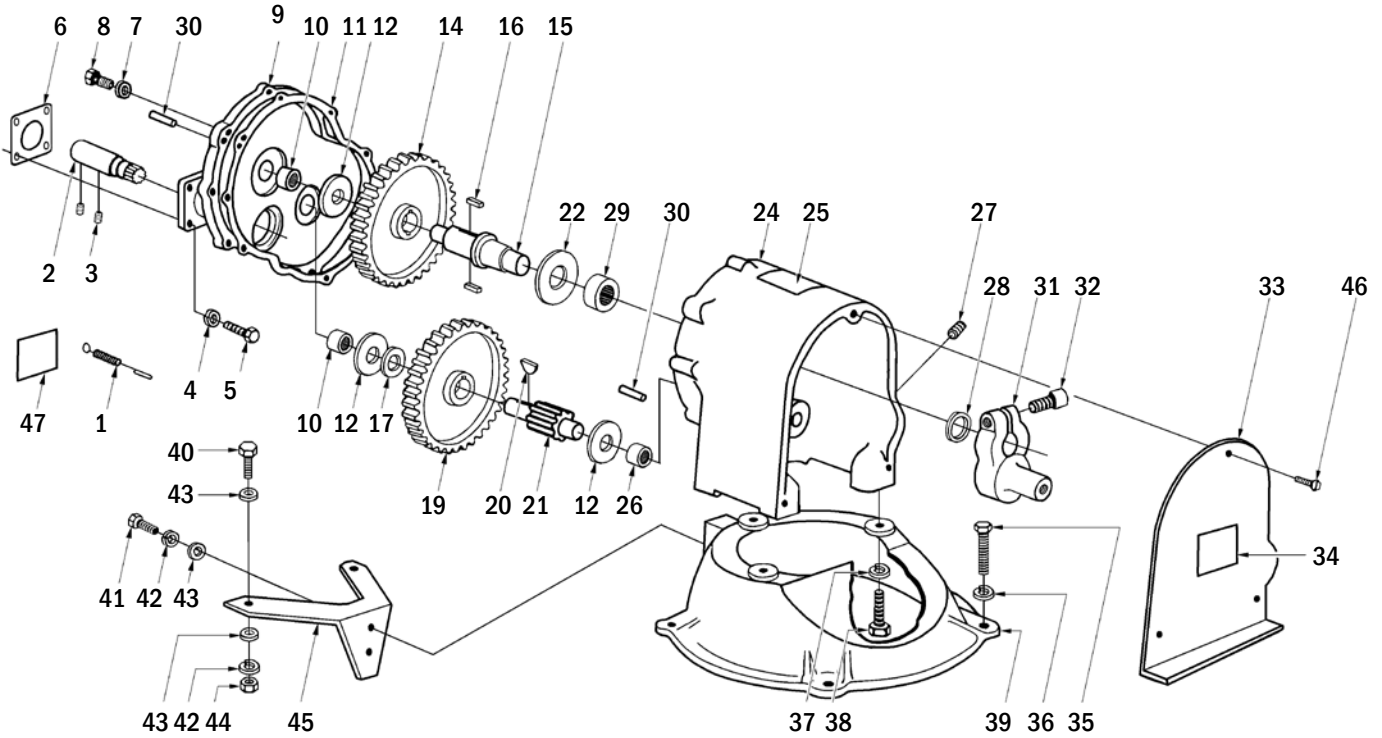
REF NO.	Inch Pounds	Newton Meters	Notes:
8	70-90	7.9-10.2	Use Loctite Red 262
14	20-25	2.3-2.8	Use Loctite Red 262
16	15-20	1.7-2.3	
17	15-20	1.7-2.3	
20	20-25	2.3-2.8	
27	140-160	15.8-18.1	
28	140-160	15.8-18.1	

Note: See Page 29 for Ag Series Chemical Compatibility Chart

OTHER PARTS & ACCESSORIES:

PART NO.	DESCRIPTION
A 43297 C	EPDM Repair Kit
A 47832 A	Buna-N Repair Kit
L 17043	Owner's Manual
43307	Strainer, 2", Plastic
19189 B	Spanner Wrench, 2"
15036	Foot Valve, 2"
15082	Reducer Bushing, 2" to 1-1/2"
A 15141	Roll Cage Kit

DP2B (UT-L1496Y) • DP2H (UT-L1603Z)



REF.	PART NO.	DESCRIPTION	QTY.
NS	04867 A	Engine, B&S Std 3½ hp (DP2B) [incl. #1]	1
1	15185	Governor Spring (On Engine)	1
NS	08171	Engine, Honda GX160 5½ hp (DP2H)	1
2	A 01534	Shaft, Ext. (1/4-20 threads) [includes #3]	1
	A 15173	Shaft (5/16-18 threads) USE A01534	
3	80357	Set Screw, 1/4-20 threads	2
	15088	Set Screw, 5/16-18 threads	AR
4	83002	Lock Washer, 5/16" (see also #42, 71)	4
5	80376	Screw, 5/16-24 x 1-7/8"	4
6	50666	Gasket, Engine Mounting	1
	A 09268	Gearbox, Assembled [includes #7-30]	1
7	83009	Lock Washer, 1/4"	10
8	80388	Screw, Hex Head, 1/4-20 x 1-1/4"	10
9	A 50487	Gear Case Cover Assy. [includes #10]	1
10	50493	Needle Bearing (see also #26)	2
11	50485	Gasket, Gear Case	2
12	50471	Thrust Washer	3
	A 50490	Gear & Shaft Assy. [incl. #14, 15, 16]	1
14	73866 1A	Gear, Main	1
15	50475	Shaft	1
16	27752	Key, 1/4"	2
17	50496	Spacer	1
	A 50486	Gear & Shaft Assy. [incl. #19, 20, 21]	1
19	74352 1	Gear	1
20	66612	Key, 3/16", #61 Woodruff	1
21	50474	Pinion Shaft	1
22	50483	Thrust Washer, Large (see also #53)	1
	A 50492 A	Gear Case Assembly [incl. #24 - 30]	1
24	50481 2A	Gear Case	1
25	08971	Decal, Warning	1
26	50493	Needle Bearing (see also #10)	1
27	50949	Pipe Plug	1
28	74333	Shaft Seal	1
29	74252	Needle Bearing	1
30	74332	Dowel Pin	2

REF.	PART NO.	DESCRIPTION	QTY.
31	73858 5A	Crank	1
32	80423	Cap Screw, 1/2-13 x 1-1/2"	1
33	50731 1A	Shield, Crank [includes #34]	1
34	08972	Decal, Grease	1
35	80097	Screw, Hex Head, 3/8-16 x 1-1/2"	4
36	83018	Lock Washer, 3/8" (see also #61)	4
37	83020	Lock Washer, 1/2"	3
38	80627	Screw, Hex Head, 1/2-13 x 1-3/4"	3
39	50464 2A	Pump Body, Upper	1
40	80087	Screw, Hex Head, 5/16-18 x 1-1/2"	2
41	82598	Screw, Hex Head, 5/16-18 x 7/8"	2
42	83002	Lock Washer, 5/16" (see also #4, 71)	4
43	84032	Washer, Flat, 5/16" (see also Roll Cage #3)	6
44	81162	Hex Nut, 5/16-18	2
45	50484 1A	Support, Engine	1
46	51247	Thumb Screw, 1/4-20 x 1/2"	3
47	09081	Decal, Safety Sign (On Engine)	1
NS	54702 A	Strainer, 2"	1

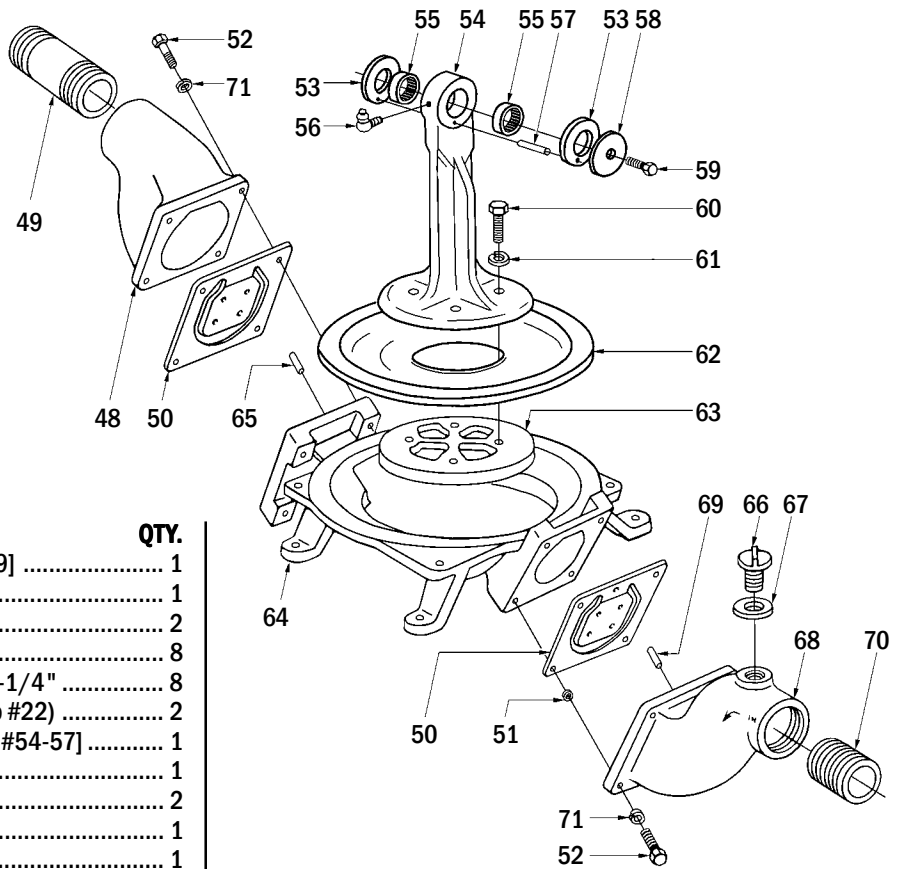
Pump Wet-End Kit: **DP2WE (UT-L1663Z)**
Includes all pump parts, no engine, no roll cage

TORQUE SPECS

REF NO.	Inch Pounds	Newton Meters	Notes:
3	150-180	16.9-20.3	Use Loctite #262
5	150-180	16.9-20.3	
8	100-120	11.3-13.6	
32	1140-1260	128.8-142.4	95-105 Lbs.-Ft.
35	240-260	27.1-29.4	20-22 Lbs.-Ft.
38	540-660	61.0-74.6	45-55 Lbs.-Ft.
40	150-180	16.9-20.3	
41	100-120	11.3-13.6	

TORQUE SPECS

REF NO.	Inch Pounds	Newton Meters
52	150-180	16.9-20.3
59	150-180	16.9-20.3
60	150-180	16.9-20.3



REF.	PART NO.	DESCRIPTION	QTY.
48	A 09283	Discharge Fitting [includes #49]	1
49	07981	1 Nipple, 2" NPT x 7"	1
50	A 42147	Valve & Insert [includes #51]	2
51	42148	Spacer	8
52	80088	Screw, Hex Head, 5/16-18 x 1-1/4"	8
53	50483	Thrust Washer, Large (see also #22)	2
	A 51221	Pump Rod Assembly [includes #54-57]	1
54	50472	1 Pump Rod	1
55	74121	Needle Bearing	2
56	50911	Grease Fitting	1
57	76982	Pin	1
58	73857	Washer	1
59	80171	Screw, Hex Head, 3/8-16 x 3/4"	1
60	80771	B Screw, Hex Head, 3/8-16 x 1-1/4"	4
61	83018	Lock Washer, 3/8" (see also #36)	4
62	03439	Diaphragm	1
63	50479	1 Diaphragm Cap	1
64	50465	2A Pump Body, Lower	1
65	54890	1 Pin (See also #69)	1

REF.	PART NO.	DESCRIPTION	QTY.
66	A 43896	Drain & Filler Cap [includes #67]	1
67	59910	Gasket	1
68	A 09282	Suction Fitting [includes #69, 70]	1
69	54890	1 Pin (See also #65)	1
70	75663	1 Nipple, 2" NPT	1
71	83002	Lock Washer, 5/16" (see also #4, 42)	8

REF.	PART NO.	DESCRIPTION	QTY.
*1	A 07966	Roll Cage	1
*2	83002	Lock Washer, 5/16"	4
*3	84032	Washer, Flat, 5/16" (see also #43)	4
*4	80085	Screw, Hex Head, 5/16-18 x 1"	4

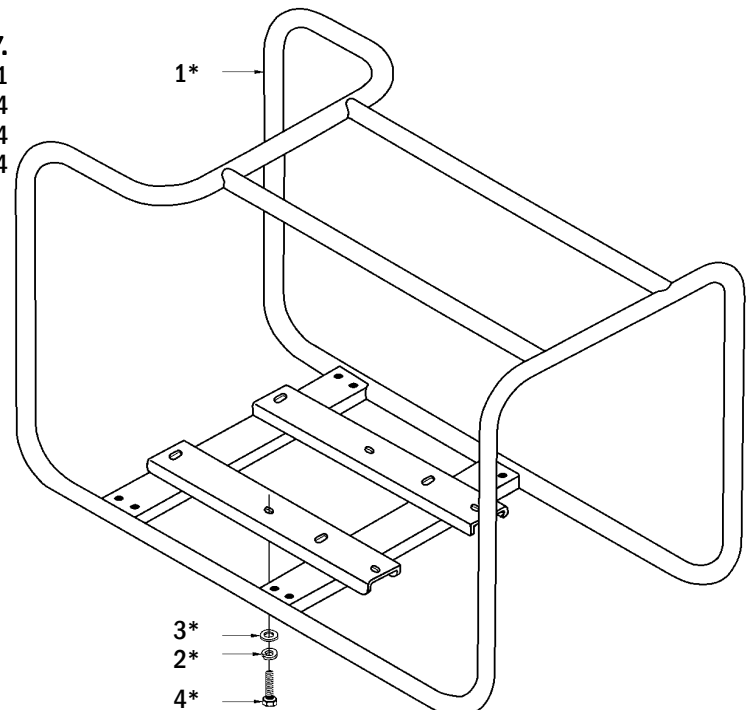
* Included in A 15026 Roll Cage Kit

OTHER PARTS & ACCESSORIES:

PART NO.	DESCRIPTION
55291 F	Gear Oil, 80-90W
54702 A	Strainer, 2"
15036	Foot Valve, 2"
L 19954	Owner's Manual
A 15060	Spanner Wrench Kit, 2"
A 15043	Dolly Kit
A 15026	Roll Cage Kit

TORQUE SPECS

REF NO.	Inch Pounds	Newton Meters	Notes:
4	150-180	16.9-20.3	

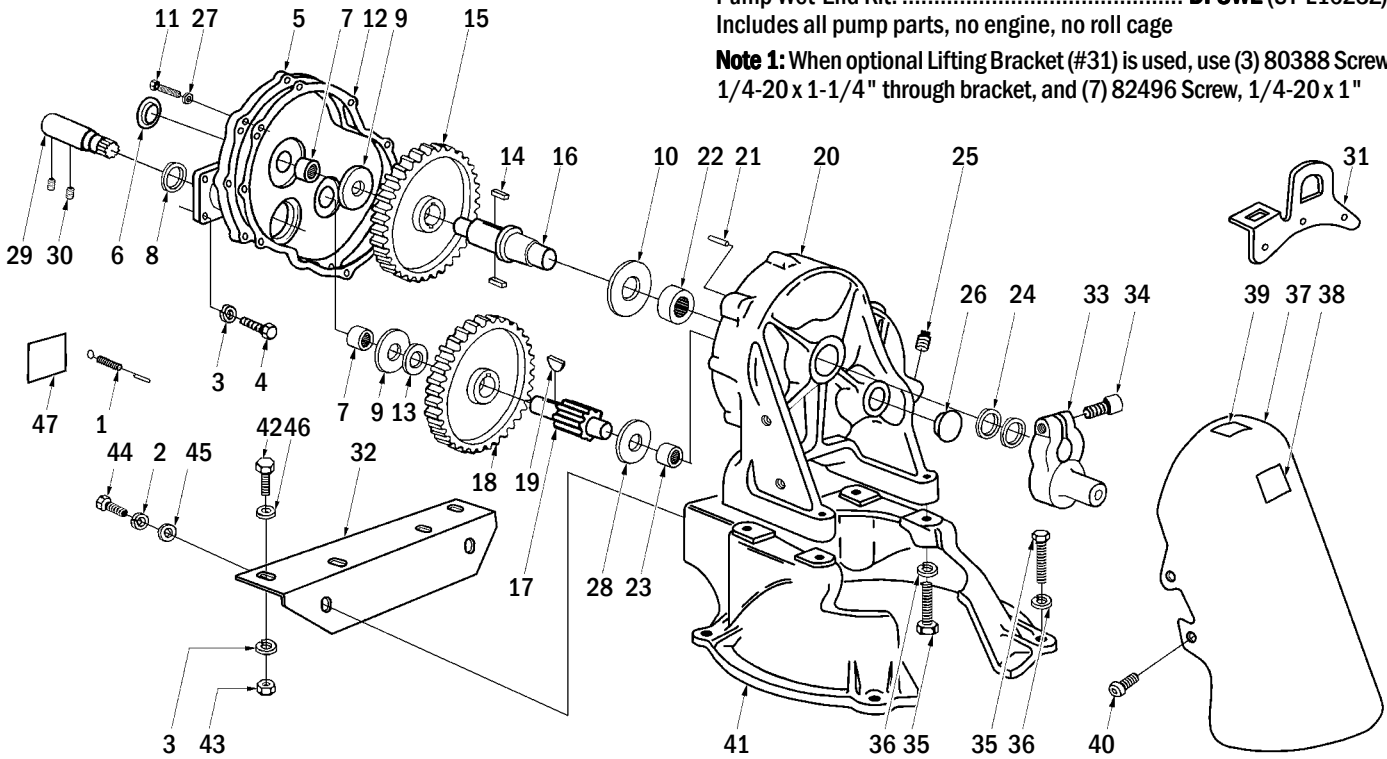


DP3B (UT-L1482Y) • DP3H (UT-L1604Z) • DP3Y (UT-L1632Z)

Pump Wet-End Kit: **DP3WE (UT-L1623Z)**

Includes all pump parts, no engine, no roll cage

Note 1: When optional Lifting Bracket (#31) is used, use (3) 80388 Screw, 1/4-20 x 1-1/4" through bracket, and (7) 82496 Screw, 1/4-20 x 1"

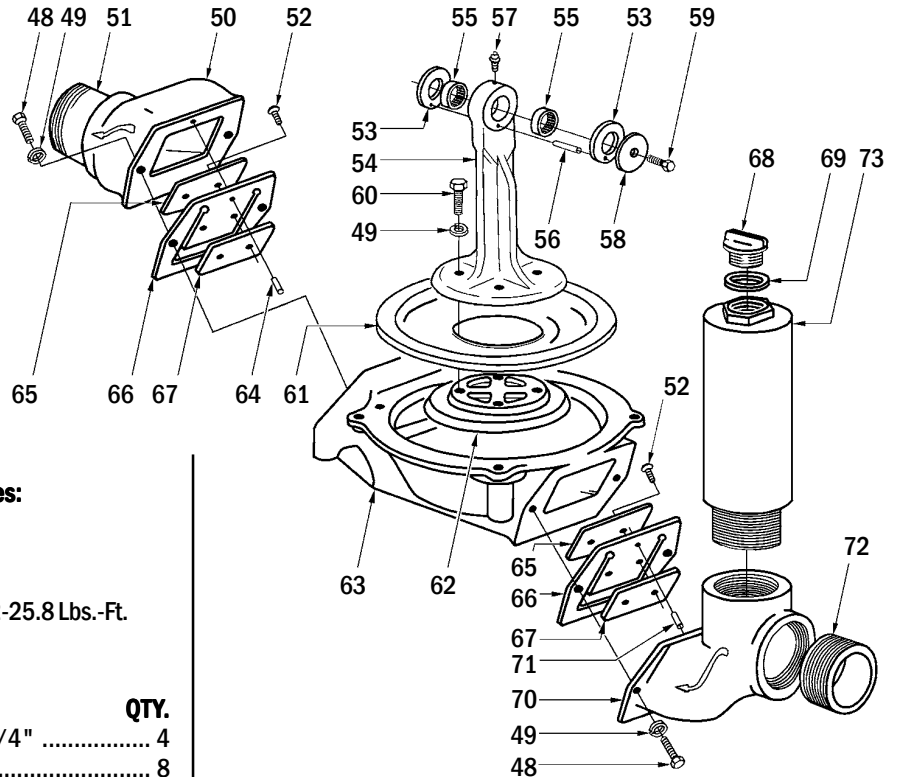


REF.	PART NO.	DESCRIPTION	QTY.
NS	04867 A	Engine, B&S Std 3½ hp (DP3B) [incl. #1]	1
1	15185	Governor Spring (On Engine)	1
NS	08171	Engine, Honda GX160 5½ hp (DP3H)	1
NS	15075	Engine, Yanmar Diesel 4.7 hp (DP3Y)	1
2	83009	Lock Washer, 1/4" (see also #27)	2
3	83002	Lock Washer, 5/16"	6
4	80376	Screw, Hex Head, 5/16-24 x 7/8" (DP3B/H) ...	4
	15213	Screw, Hex Head, 8mm x 25mm (DP3Y)	4
	PA 54976	Gearbox, Assembled [includes #5-28]	1
5	A 75983	Gear Case Cover [includes #6, 7, 8]	1
6	74137	Bearing Cap (see also #26)	2
7	74251	Needle Bearing (see also #23)	2
8	74333	Extension Shaft Seal	1
9	73850	Thrust Washer (see also #28)	2
10	73855	Thrust Washer	1
11	82496	Screw, 1/4-20 x 1" (see Note 1 , above)	10
12	74147	Gasket, Gear Case	2
13	73885	Spacer	1
	A 74334	Gear & Shaft Assembly [incl.#14, 15, 16]	1
14	27752	Key, 1/4"	2
15	73866 1A	Gear, Pump	1
16	73853	Shaft	1
	A 74335	Gear & Shaft Assembly [incl. #17,18,19]	1
17	73883	Pinion Shaft	1
18	74352 1	Gear	1
19	74353 1	Key, 3/16", #9 Woodruff modified	1
20	A 74312 1	Gear Case Assembly [incl. #21 - 26]	1
21	74332	Dowel Pin	2
22	74252	Needle Bearing	1
23	74251	Needle Bearing (see also #7)	1
24	74333	Shaft Seal	2
25	50949	Pipe Plug	1
26	74137	Bearing Cap (see also #6)	1
27	83009	Lock Washer, 1/4" (see also #2)	10
28	73850	Thrust Washer (see also #9)	1

REF.	PART NO.	DESCRIPTION	QTY.
29	A 01534	Shaft, Ext. (1/4-20 threads) [includes #30]	1
	A 15173	Shaft (5/16-18 threads) USE A01534	
30	80357	Set Screw, 1/4-20 threads	2
	15088	Set Screw, 5/16-18 threads	AR
31	49731	Lifting Bracket (Optional - Kit A15209)	1
32	75981 1A	Engine Mounting Bracket (DP3B, DP3H)	1
	15076	Engine Mounting Bracket (DP3Y)	1
33	73858 5A	Crank	1
34	80423	Screw, Socket Head, 1/2-13 x 1-1/2"	1
35	80627	Screw, Hex Head, 1/2-13 x 1-3/4"	8
36	83020	Lock Washer, 1/2"	8
37	A 50785	Guard, Pump Rod [includes #38, 39]	1
38	08972	Decal, Grease	1
39	08971	Decal, Warning	1
40	80676	Screw, Machine, 12-24 x 5/8	4
41	74118 5A	Pump Body, Upper	1
42	80288	Screw, Hex Head, 5/16-18 x 1-3/4"	2
43	81162	Hex Nut, 5/16-18	2
44	80052	Screw, Hex Head, 1/4-20 x 3/4"	2
45	84020	Washer, Flat, 1/4"	2
46	84032	Washer, Flat, 5/16"	2
47	09081	Decal, Safety Sign (on engine)	1
NS	74454 A	Strainer, 3"	1

TORQUE SPECS

REF NO.	Inch Pounds	Newton Meters	Notes:
14	100-120	11.3-13.6	
30	150-180	16.9-20.3	Use Loctite 262
34	1140-1260	128.8-142.4	95-105 Lbs.-Ft.
35	540-660	61.0-74.6	45-55 Lbs.-Ft.
42	150-180	16.9-20.3	
44	100-120	11.3-13.6	



TORQUE SPECS

REF NO.	Inch Pounds	Newton Meters	Notes:
48	150-180	16.9-20.3	
52	7-9	.8-1.0	
59	150-180	16.9-20.3	
60	290-310	32.8-35.0	24.2-25.8 Lbs.-Ft.

REF.	PART NO.	DESCRIPTION	QTY.
48	80627	Screw, Hex Head, 1/2-13 X 1-3/4"	4
49	83020	Lock Washer, 1/2"	8
50a	A 09281	Discharge Fitting [includes #51a]	1
51a	07982 1	Nipple, 3" x 5" NPT	1
50b	A 15179	Discharge Fitting BSP [includes #51b]	AR
51b	74676 1	Nipple, 3" NPT/BSP	AR
52	80032	Screw, Fillister Head, 10-32 x 1/2"	4
53	73856	Thrust Washer	2
54	A 74339	Pump Rod [includes #55, 56, 57]	1
55	74121	Needle Bearing	2
56	76982	Spring Pin	1
57	32409	Grease Fitting	1
58	73857	Washer	1
59	80095	Screw, Hex Head, 3/8-16 x 1"	1
60	80272	Screw, Hex Head, 1/2-13 x 1-1/4"	4
61	03438	Diaphragm	1
62	73706 1	Diaphragm Cap	1
63	73877 3A	Pump Body	1

REF.	PART NO.	DESCRIPTION	QTY.
64	54890 1	Roll Pin (see also #71)	1
65	74156 S	Valve Plate	2
66	74154 1	Flapper Valve	2
67	74155 1	Valve Weight	2
68	A 43971	Filler Plug [includes #69]	1
69	18108	Gasket, Plug	1
	A 47623	Suction Fitting Assy. [incl #70, 71, 72a]	1
70	73805 3A	Suction Fitting	1
71	54890 1	Roll Pin (see also #64)	1
72a	74343 1	Nipple 3" x 2-5/8" Close NPT	1
	A 15180	Suction Fitting BSP [incl #70, 71, 72b]	AR
70	73805 3A	Suction Fitting	AR
71	54890 1	Roll Pin (see also #64)	AR
72b	15175	Nipple, 3" x 2-5/8" NPT/BSP	AR
73	74344 3A	Standpipe	1

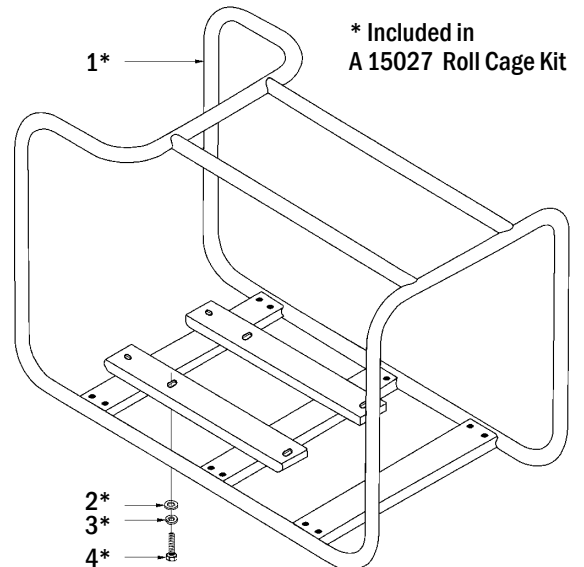
REF.	PART NO.	DESCRIPTION	QTY.
*1	A 07961	Roll Cage (DP3B, DP3H)	1
	A 15183	Roll Cage (DP3Y)	1
*2	84035	Washer, Flat, 1/2"	4
*3	83020	Lock Washer, 1/2"	4
*4	80272	Screw, Hex Head, 1/2-13 x 1-1/4"	4

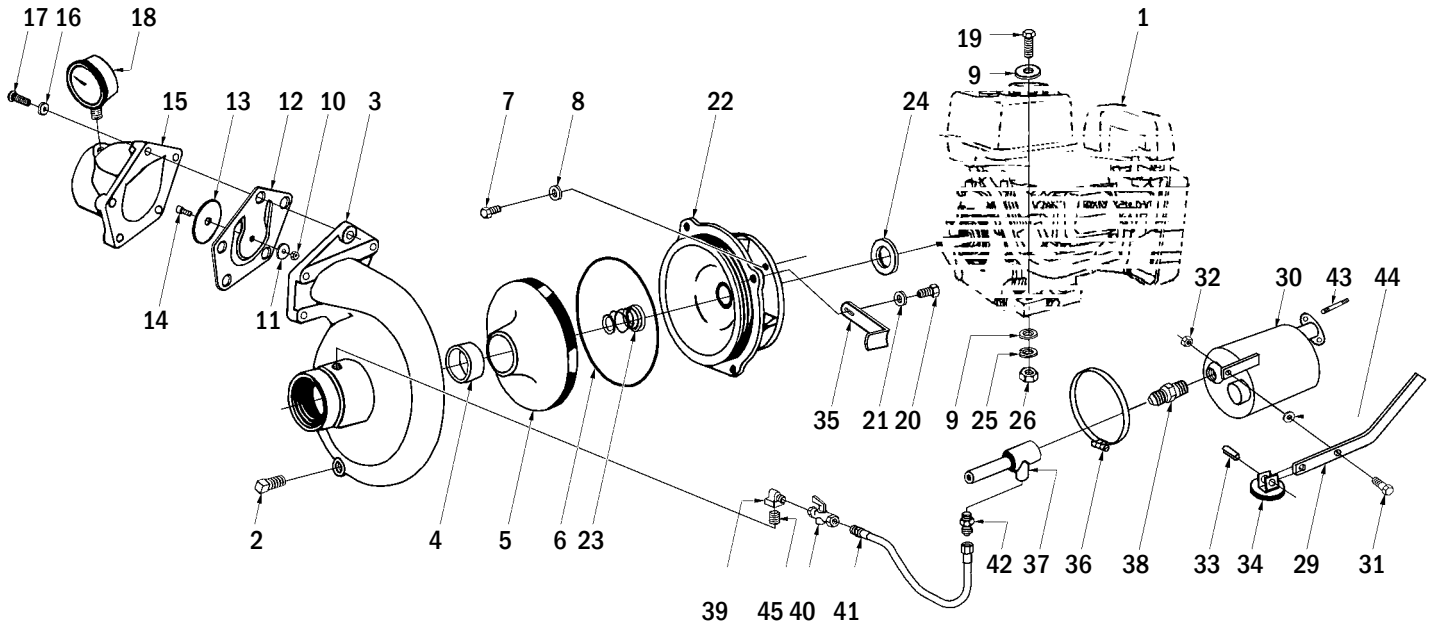
TORQUE SPECS

REF NO.	Inch Pounds	Newton Meters	Notes:
4	290-310	32.8-35.0	24.2-25.8 Lbs.-Ft.

OTHER PARTS & ACCESSORIES:

PART NO.	DESCRIPTION
74454 A	Strainer, 3"
15037	Foot Valve, 3"
L 19948	Owner's Manual
55291 F	Gear Oil, 80-90W
A 15061	Spanner Wrench Kit, 3"
A 15043	Dolly Kit
A 15027	Roll Cage Kit
A 15209	Lifting Bracket Kit





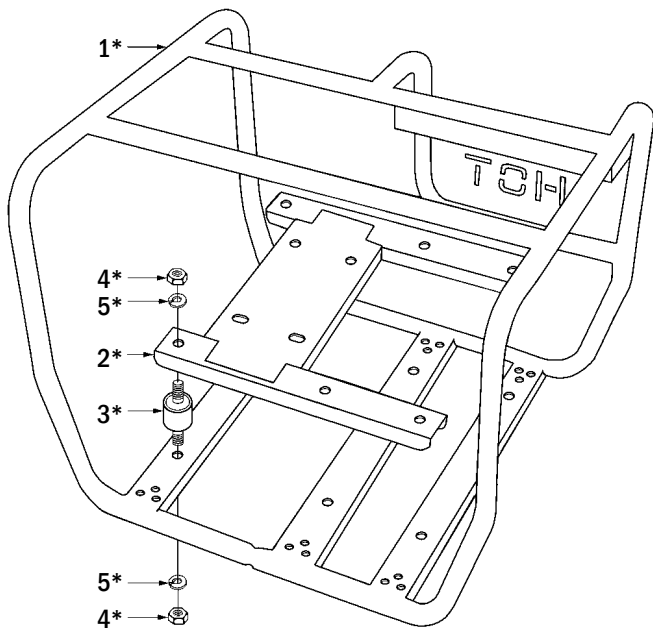
REF.	PART NO.	DESCRIPTION	QTY.	REF.	PART NO.	DESCRIPTION	QTY.
1	15005	Engine, Vanguard OHV, 13 hp (FP25V)	1	23	47046	Shaft Seal	1
	15011	Engine, Honda GX390, 13 hp (FP25H)	1	24	62688	Slinger	1
	15012	Engine, Honda GX390, 13 hp elec. start (FP25HE) ...	1	25	83018	Lock Washer, 3/8"	4
	15229	Engine, Kohler CS-12, 12 hp (FP25K)	1	26	81043	Hex Nut, 3/8-16	4
	15044	Engine, Yanmar Diesel, 10 hp (FP25Y)	1	NS	09081	Decal, Safety Sign (On Engine)	1
	15045	Engine, Yanmar Diesel, 10 hp elec. start (FP25YE) ...	1	NS	08971	Decal - Warning (On Engine)	1
2	20629	Drain Plug	1	29	47913	Priming Lever	1
3	A 48843 1A	Pump Body	1	30	15000	Muffler (FP25V)	1
4	47447	Bearing, Bronze (Obsolete)	1		15008	Muffler (FP25H/HE)	1
	15016	Bearing, Stainless Steel	1		15133	Muffler (FP25K)	1
5	PA 00125	Impeller	1		15202	Muffler (FP25Y/YE)	1
6	47468	O-Ring	1	31	82496	Screw, Hex Head, 1/4-20 x 1"	1
7	80095	Screw, 3/8-16 x 1" (FP25V/H/HE/K)	4	32	15048	Locking Hex Nut, 1/4-20	1
	15056	Screw, Metric, 8mm x 30mm (FP25Y/YE)	4	33	66744	Spring Pin	1
8	84010	Washer, Flat, 3/8"	4	34	47916 1	Flapper Valve	1
9	84046	Washer, Flat, 3/8"	8	35	PS 00255	Muffler Brace (FP25V/H/HE/K)	1
10	81225	Hex Nut, 12-24	1		15178	Muffler Brace (FP25Y/YE)	1
11	48488	Washer, Flat	1	36	54756 B	Muffler Strap (FP25V/H/HE/K)	1
12	48845	Flapper Valve	1		15186	Muffler Clamp (FP25Y/YE)	1
13	47361	Valve Weight	1	37	15040 1	Priming Venturi Body	1
14	80676	Screw, Hex Head, 12-24 x 5/8"	1	38	15039	Priming Venturi Nozzle	1
15	48844 1A	Valve Body	1	39	PS 32369	Street Fitting, 1/4"	1
16	83116	Collar Washer, 3/8"	5	40	43736	Valve	1
17	82479	Socket Screw, 3/8-16 x 2"	5	41	15117	Vacuum Line, Flexible	1
18	47048	Pressure Gauge	1	42	15118	Fitting	1
19	80098	Cap Screw, Hex Head, 3/8-16 x 1-3/4"	4	43	15007	Stud, 8mm (FP25H/HE/K)	2
20	80446	Cap Screw, Hex Head, 1/2-13 x 1"	4	44	84004	Washer, Flat, 1/4"	1
21	84035	Washer, Flat, 1/2"	4	45	47069	Nipple, Close, 1/4"	1
22	47364 1A	Engine Adaptor	1	NS	01521	Strainer, 2½ - 8 NPS	1

TORQUE SPECS

REF NO.	Inch Pounds	Newton Meters	Notes:
7	240-300	27.1-33.9	20-25 Lbs. Ft.
14	20-25	2.3-2.8	
17	140-160	15.8-8.1	
19	160-200	18.1-22.6	
20	350-400	39.6-45.2	29.2-33.3 Lbs.-Ft.
31	---	---	Tighten until Priming Lever (Item 29) is snug, but free to move.

Pump Wet-End Kit: **FP25WE** (UT-L1627Z)
 Includes all pump parts, no engine, no roll cage, no exhaust priming system (exhaust priming system kits available separately)

FP25V / FP25VI / FP25H / FP25HE / FP25K



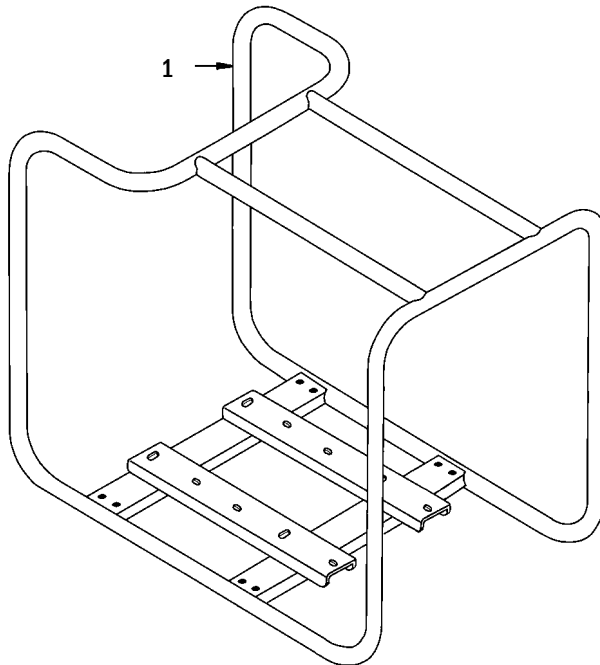
* Included in A 15025 Roll Cage Kit

REF.	PART NO.	DESCRIPTION	QTY.
*1	PA 00097	Roll Cage (FP25V/VI/H/HE/K)	1
*2	PA 00098	Engine Support (FP25H/HE/K)	1
	PA 00098	Engine Support (FP25V/VI)	1
*3	49367	Isolator	6
*4	81162	Nut, 5/16-18	12
*5	83002	Lock Washer, 5/16"	12

TORQUE SPECS

REF NO.	Inch Pounds	Newton Meters	Notes:
4	145-155	16.4-17.5	

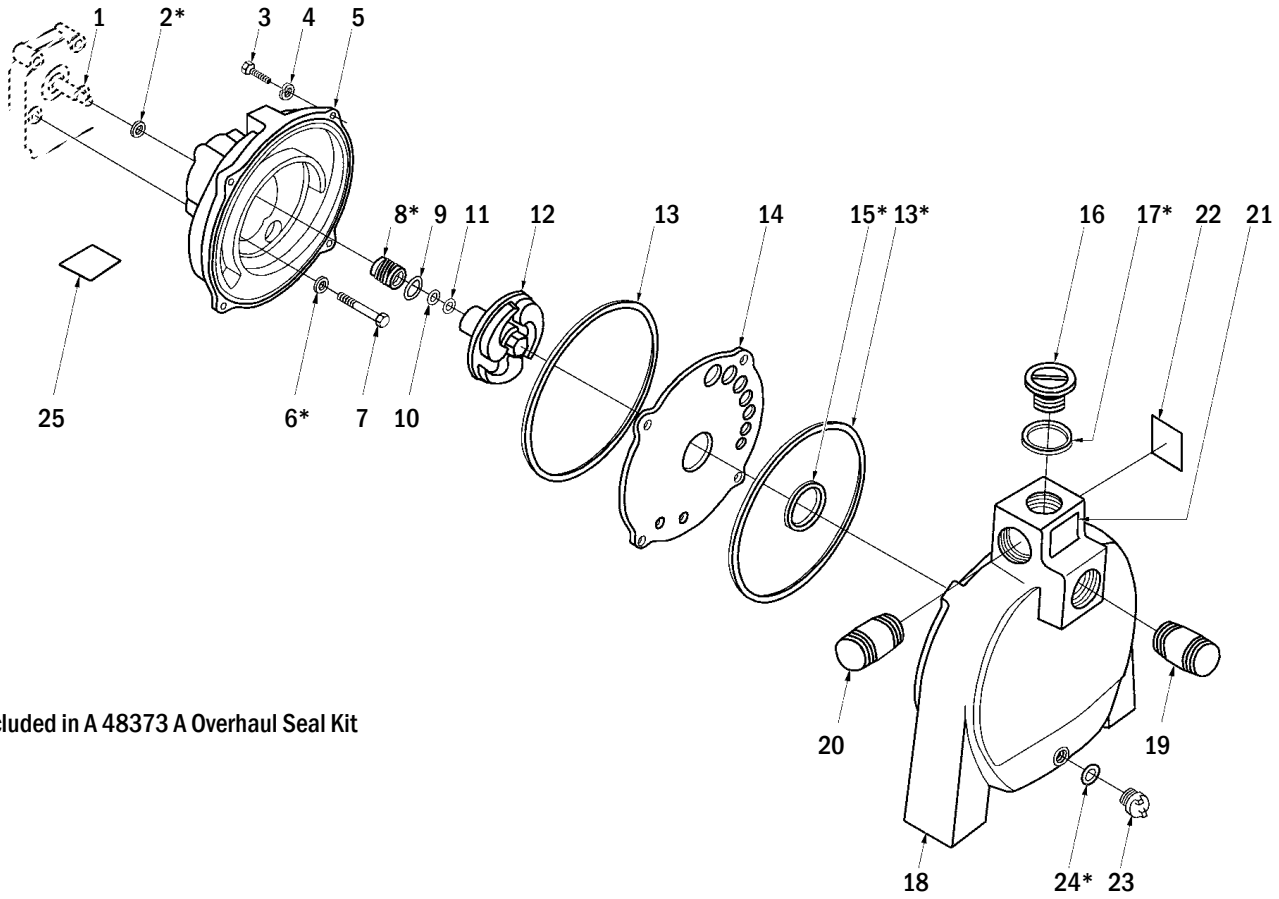
FP25Y / FP25YE



REF.	PART NO.	DESCRIPTION	QTY.
1	A 15182	Roll Cage (FP25Y/YE)	1

OTHER PARTS & ACCESSORIES:

PART NO.	DESCRIPTION
01521	Strainer, 2½ - 8 NPS
43742	Strainer, 2½ - 7½ NH
L 00247	Owner's Manual
A 15025	Roll Cage Kit (FP25H/HE/V/K)
01464	Nipple, 2½" NPT x 2½" BSP, Brass
01464 A	Nipple, 2½" NPT x 2½" BSP, Plated Steel
43741	Nipple, 2½" NPT x 2½" NH, Brass
15170	Adapter Bushing, 2-1/2" NPT to 2" NPT



* Included in A 48373 A Overhaul Seal Kit

REF.	PART NO.	DESCRIPTION	QTY.
1	15131	Engine, B&S Vanguard 6½hp (S2B)	1
	00971	Engine, Honda GX160 5½hp (S2H)	1
*2	76885 A	Slinger	1
3	80088	Screw, Hex Head, 5/16-18 x 1-1/4"	4
4	83002	Lock Washer, 5/16"	4
5	62987 2A	Impeller Housing	1
*6	62874	Sealing Washer	4
7	80927	Screw, Hex Head, 5/16-24 x 2-1/4"	4
*8	62861 2	Seal Assembly	1
9	62882 A	Seal Shim, .010"	AR
	62883 A	Seal Shim, .015"	AR
10	84056	Spacer	1
11	62872	Impeller Shim, .010"	AR
	62873	Impeller Shim, .015"	AR
12	62988 2	Impeller	1
*13	54070 A	Gasket, Large	2
14	54066 1A	Wear Plate	1
*15	54069	Gasket, Small	1
16	A 43971	Filler Plug [includes #17]	1
*17	18108	Gasket	1
18	A 47629	End Housing [includes #19 - 22]	1
19	75663 1	Suction Nipple, 2" NPT x 2"	1
20	54151 1	Discharge Nipple, 2" NPT x 3-1/2"	1
21	08970	Decal, Fill Pump	1
22	08971	Decal, Warning	1
23	A 43896	Drain Plug [includes #24]	1
*24	59910	Gasket	1
25	09081	Decal, Safety Sign (On Engine)	1
NS PS	30128	Suction Strainer, 2"	1

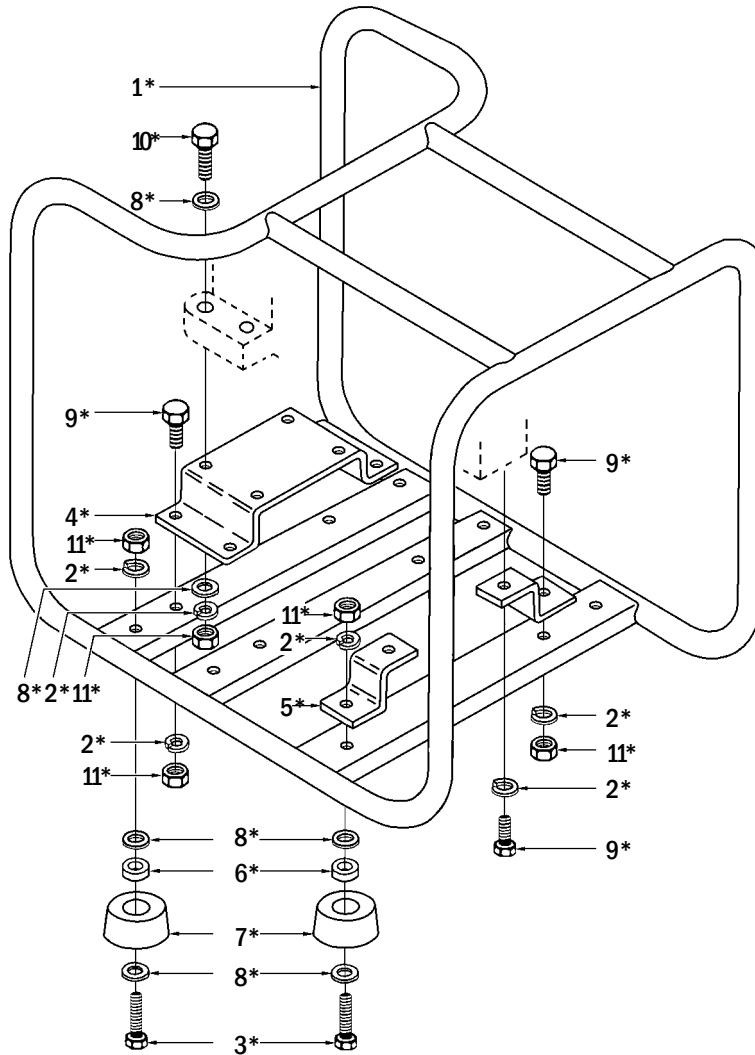
Pump Wet-End Kit: **S2WE (UT-L1628Z)**
Includes all pump parts, no engine, no roll cage

OTHER PARTS & ACCESSORIES:

PART NO.	DESCRIPTION
A 48373 A	Overhaul Seal Kit
30128	Suction Strainer, 2"
15036	Foot Valve, 2"
L 19955	Owner's Manual
A 15060	Spanner Wrench Kit, 2"
A 15043	Dolly Kit
A 15022	Roll Cage Kit

TORQUE SPECS

REF NO.	Inch Pounds	Newton Meters	Notes:
3	130-145	14.7-16.4	
7	130-145	14.7-16.4	

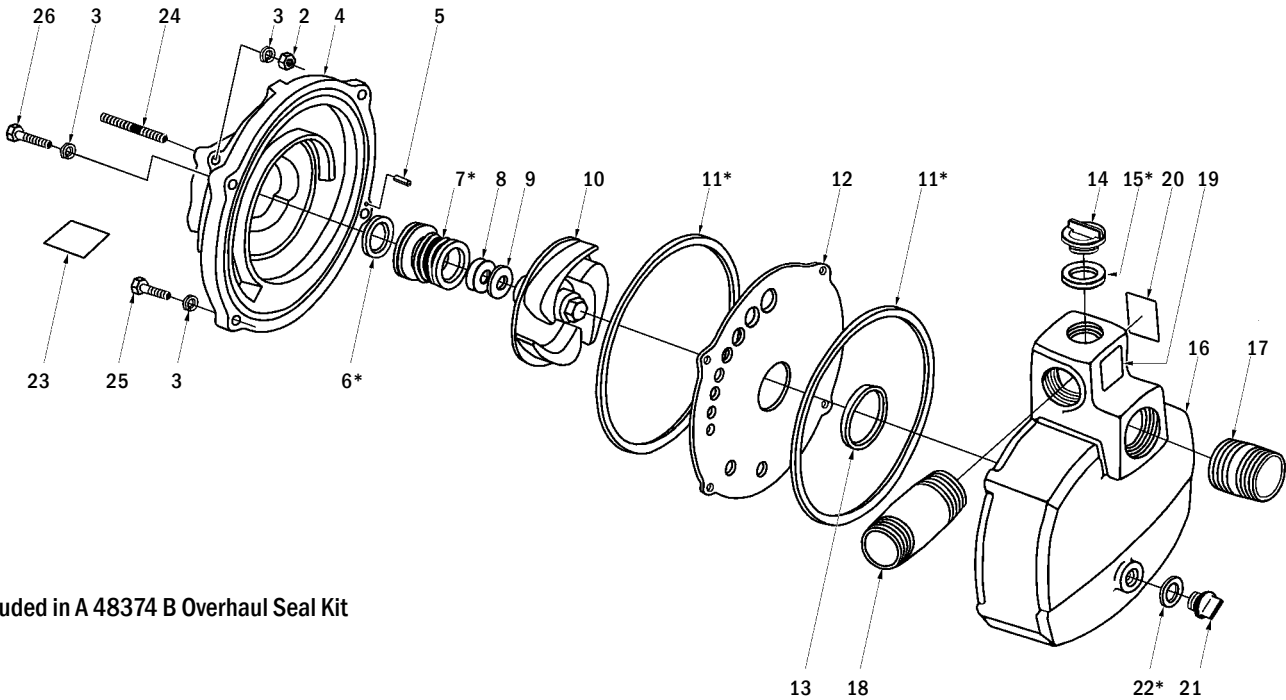


* Included in A 15022 Roll Cage Kit

REF.	PART NO.	DESCRIPTION	QTY.
*1	A 08096	Roll Cage	1
*2	83002	Lock Washer, 5/16"	15
*3	80088	Screw, Hex Head, 5/16-18 x 1-1/4"	4
*4	08101	Engine Support	1
*5	08102	Pump Support	2
*6	49733	Foot Spacer.....	4
*7	48789	Rubber Foot	4
*8	84032	Washer, Flat, 5/16"	12
*9	80083	Screw, Hex Head, 5/16-18 x 3/4"	7
*10	80087	Screw, Hex Head, 5/16-18 x 1-1/2"	4
*11	81162	Hex Nut, 5/16-18	13

TORQUE SPECS

REF NO.	Inch Pounds	Newton Meters	Notes:
1	130-145	14.7-16.4	
9	205-225	23.2-25.4	17-18.8 Lbs.-Ft.
10	205-225	23.2-25.4	17-18.8 Lbs.-Ft.



* Included in A 48374 B Overhaul Seal Kit

REF.	PART NO.	DESCRIPTION	QTY.
NS	15013	Engine, B&S Intek Pro 8hp	1
NS	15125	Engine, B&S Intek Pro 10hp	1
2	81043	Nut, 3/8-16	4
3	83018	Lock Washer, 3/8"	8
4	62980 2A	Impeller Housing	1
5	67908	Spirol Pin	1
*6	62688	Slinger	1
*7	62713 1A	Seal Assembly	1
8	75909	Seal Shim, .010"	AR
	75910	Seal Shim, .015"	AR
9	62408	Spacer	1
10	54067 3	Impeller	1
*11	62927	Gasket, Large	2
12	62926 2A	Wear Plate	1
*13	62928	Gasket, Small	1
14	A 43971	Filler Plug [includes #15]	1
*15	18108	Gasket	1
16a	A 09132	End Housing [includes #17a - 20]	1
17a	74343 1	Suction Nipple, 3" NPT Close	1
18a	54289 1	Discharge Nipple, 3" NPT x 4"	1
19	08970	Decal, Fill Pump	1
20	08971	Decal, Warning	1
16b	A 15181	End Housing BSP [includes #17b - 20]	AR
17b	15175	Suction Nipple, 3" NPT/BSP	AR
18b	74676 1	Discharge Nipple, 3"x4" NPT/BSP	AR
19	08970	Decal, Fill Pump	1
20	08971	Decal, Warning	1
21	A 43896	Drain Plug [includes #22]	1
*22	59910	Gasket	1
23	09081	Decal, Safety Sign (On Engine)	1
24	30679	Stud	4
25	80097	Bolt, 3/8-16 x 1-1/2"	2
26	82630	Screw, Hex Head, 3/8-16 x 2"	2
NS	74454 A	Suction Strainer, 3"	1

OTHER PARTS & ACCESSORIES:

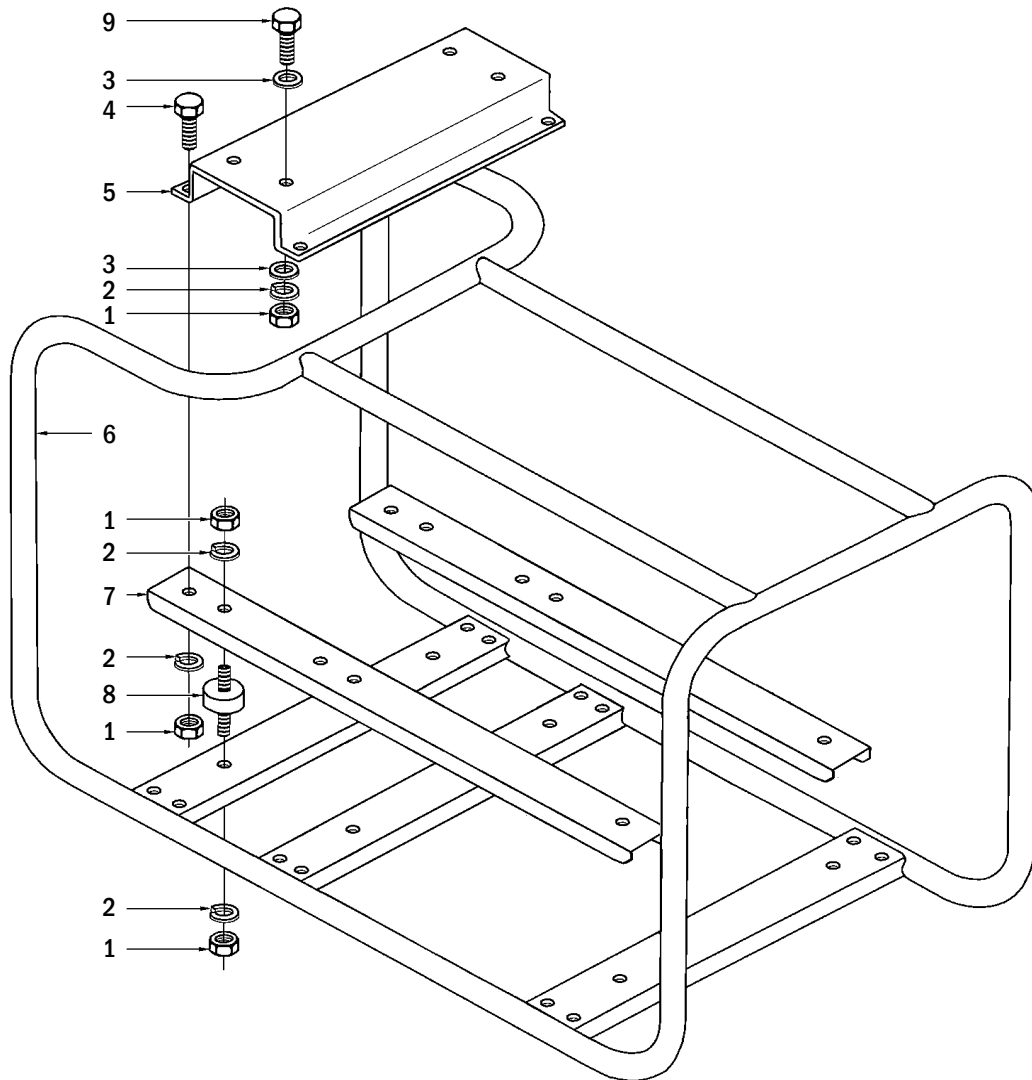
PART NO.	DESCRIPTION
A 48374 B	Overhaul Seal Kit
74454 A	Suction Strainer, 3"
15037	Foot Valve, 3"
A 15061	Spanner Wrench Kit, 3"
A 15043	Dolly Kit

Note:
This pump is not in current Riverside Pumps production. Many service parts are available, but some are not. Please inquire by part number for availability information.

Pump Wet-End Kit: **S3WE** (UT-L1629Z)
 Includes all pump parts, no engine, no roll cage

TORQUE SPECS

REF NO.	Inch Pounds	Newton Meters	Notes:
24, 25, 26	220-260	24.9-29.4	

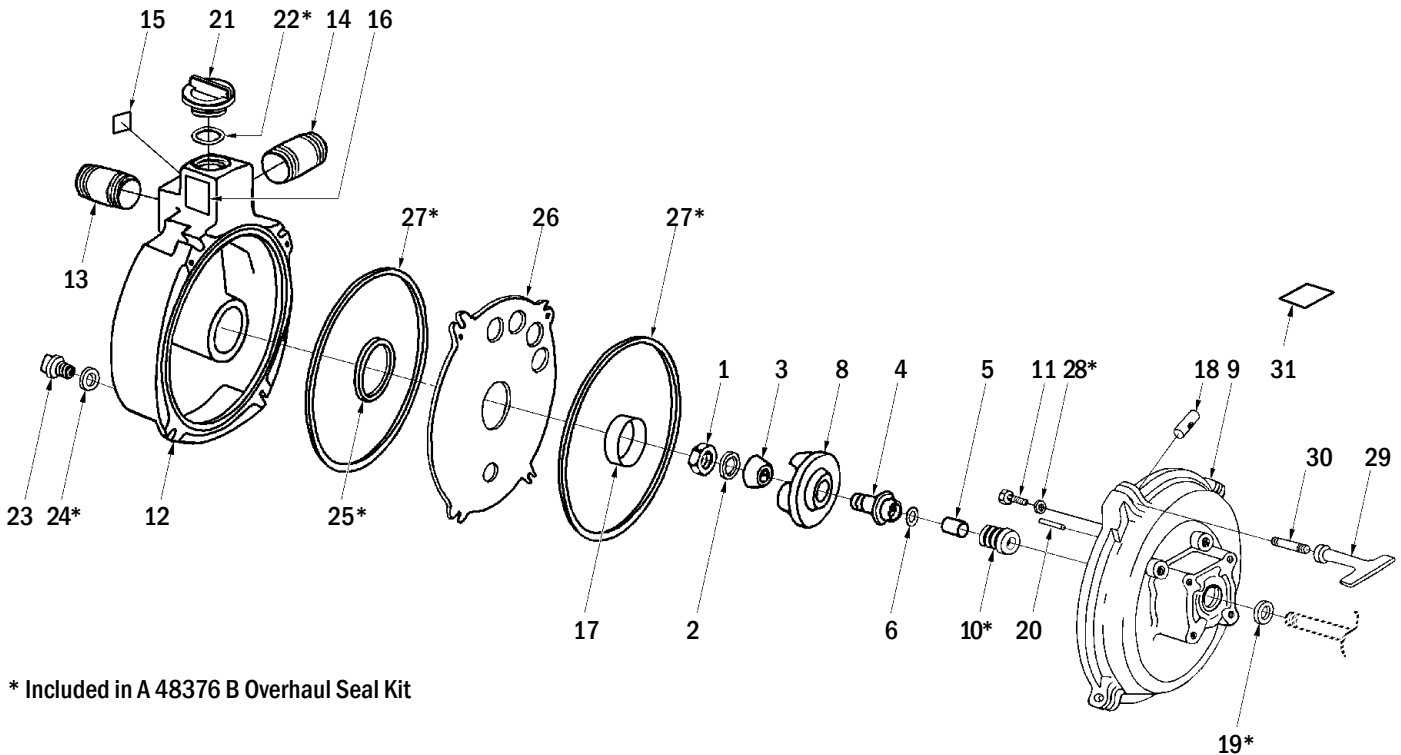


Note:
This pump is not in current Riverside Pumps production. Many service parts are available, but some are not. Please inquire by part number for availability information.

REF.	PART NO.	DESCRIPTION	QTY.
1	81162	Hex Nut, 5/16-18	20
2	83002	Lock Washer, 5/16"	20
3	84046	Flat Washer, 5/16"	8
4	80085	Hex Head Screw, 5/16-18 x 1"	4
5	42121 1A	Engine Bracket	1
6	A 07952	Roll Cage	1
7	07958	Engine Channel	2
8	49367	Vibration Isolator	6
9	80288	Hex Head Screw, 5/16-18 x 1-3/4"	4

TORQUE SPECS

REF NO.	Inch Pounds	Newton Meters	Notes:
1	130-145	14.7-16.4	
4	205-225	23.2-25.4	17-18.8 Lbs.-Ft.
9	160-200	18.1-22.6	



* Included in A 48376 B Overhaul Seal Kit

REF.	PART NO.	DESCRIPTION	QTY.
NS	15131	Engine, B&S Vanguard 6½hp (TP2B)	1
NS	00971	Engine, Honda GX160 5½hp (TP2H)	1
NS	15047	Engine, Yanmar Diesel 4.7hp (TP2Y)	1
1	54741	Impeller Nut	1
2	54740	Washer	1
3	54739 A	Impeller Bushing	1
4	54738 1	Impeller Hub (TP2B/H)	1
	54738 2	Impeller Hub (TP2Y)	1
5	50516	Crankshaft Spacer (TP2B/H)	1
	15068	Crankshaft Spacer (TP2Y)	1
6	62882 A	Shim, .010" (TP2B/H)	AR
	62883 A	Shim, .015" (TP2B/H)	AR
	15067	Shim, .010" (TP2Y)	AR
8	54132 1	Impeller	1
9	54131 2A	Impeller Housing	1
*10	62713 1A	Shaft Seal	1
11	80927	Screw, 5/16-24 x 2-1/4" (TP2B/TP2H)	4
	15066	Screw, 8mm x 2-1/4" (TP2Y)	4
12	A 49674	End Housing [includes #13 - 17]	1
13	75663 1	Nipple, 2" x 2"	1
14	54151 1	Nipple, 2" x 3-1/2"	1
15	08970	Decal - Fill Pump	1
16	08971	Decal - Warning	1
17	50912	Sleeve, End Housing	1

REF.	PART NO.	DESCRIPTION	QTY.
18	54397	Handle Pivot	4
*19	76885 A	Slinger	1
20	54660	Spring Pin	2
21	A 43971	Filler Plug [includes #22]	1
*22	18108	Gasket	1
23	A 43896	Drain Plug [includes #24]	1
*24	59910	Gasket	1
*25	54069	Gasket, Small	1
26	54136 1A	Wear Plate	1
*27	54070 A	Gasket, Large	2
*28	62874	Sealing Washer	4
29	54550 2A	Disconnect Handle	4
30	54398	Handle Stud	4
31	09081	Decal, Safety Sign (On Engine)	1
NS	54702 A	Strainer, 2"	1

Pump Wet-End Kit: **TP2WE (UT-L1615Z)**
Includes all pump parts, no engine, no roll cage, for non-metric engine

OTHER PARTS & ACCESSORIES:

PART NO.	DESCRIPTION
A 48376 B	Overhaul Seal Kit
54702 A	Strainer, Suction, 2"
15036	Foot Valve, 2"
L 19956	Owner's Manual
A 15060	Spanner Wrench Kit, 2"
A 15043	Dolly Kit
A 15022	Roll Cage Kit (TP2B/H)
15217	Shaft Seal, Viton

TORQUE SPECS

REF NO.	Inch Pounds	Newton Meters	Notes:
13	130-145	14.7-16.4	

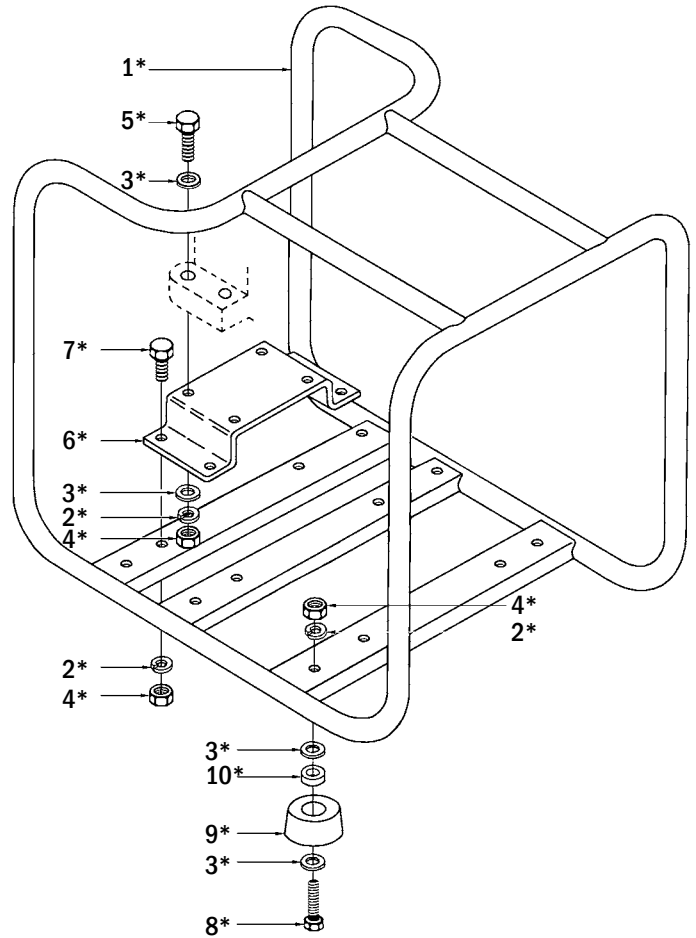
ROLL CAGE: TP2B • TP2H • TP2Y

TORQUE SPECS

REF NO.	Inch Pounds	Newton Meters	Notes:
5	205-225	23.2-25.4	17-18.8 Lbs.-Ft.
7	205-225	23.2-25.4	17-18.8 Lbs.-Ft.
8	130-145	14.7-16.4	

* Included in A 15022 Roll Cage Kit
(Kit includes additional items for S2 models)

REF.	PART NO.	DESCRIPTION	QTY.
*1	A 08096	Roll Cage	1
*2	83002	Lock Washer, 5/16"	12
*3	84032	Flat Washer, 5/16"	16
*4	81162	Hex Nut, 5/16-18	12
*5	80087	Hex Head Cap Screw, 5/16-18 x 1-1/2"	4
*6	08101	Engine Support (TP2B/TP2H)	1
	15049	Engine Support (TP2Y)	1
*7	80083	Hex Head Screw, 5/16-18 x 3/4"	4
*8	80088	Hex Head Screw, 5/16-18 x 1-1/4"	4
*9	48789	Rubber Foot	4
*10	49733	Foot Spacer	4

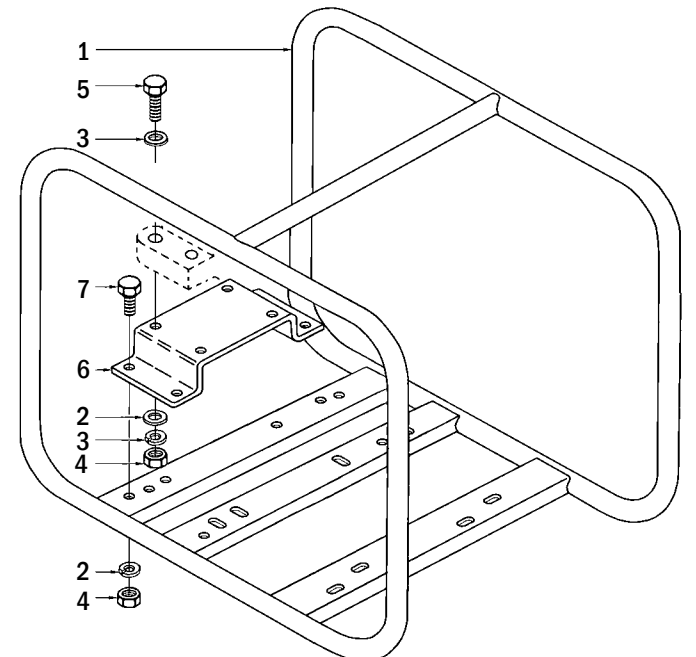


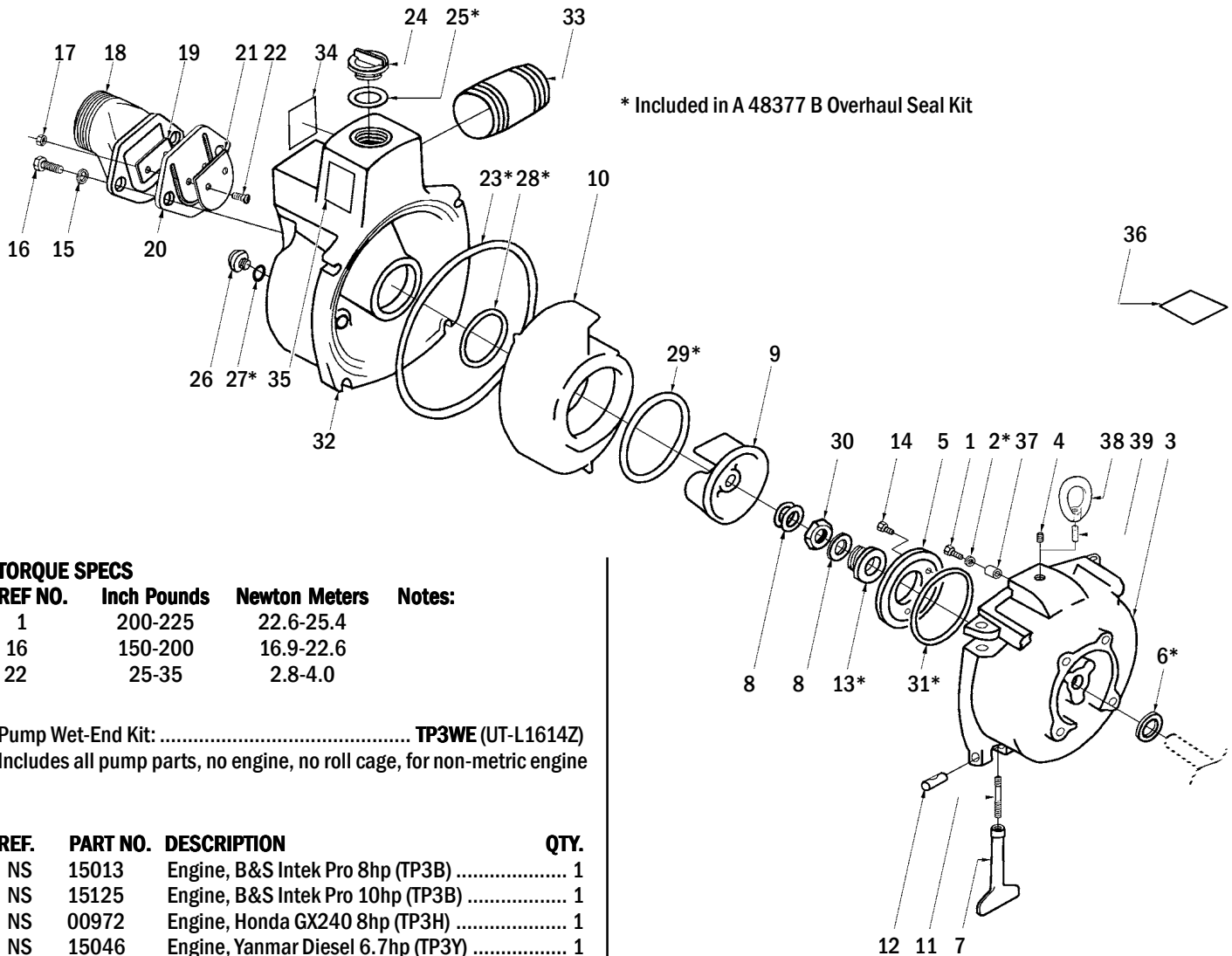
ROLL CAGE: TP2BC • TP2HC

TORQUE SPECS

REF NO.	Inch Pounds	Newton Meters	Notes:
5	205-225	23.2-25.4	17-18.8 Lbs.-Ft.
7	205-225	23.2-25.4	17-18.8 Lbs.-Ft.

REF.	PART NO.	DESCRIPTION	QTY.
1	A 15203	Roll Cage	1
2	83002	Lock Washer, 5/16"	8
3	84032	Flat Washer, 5/16"	8
4	81162	Hex Nut, 5/16-18	8
5	80087	Hex Head Cap Screw, 5/16-18 x 1-1/2"	4
6	08101	Engine Support	1
7	80083	Hex Head Screw, 5/16-18 x 3/4"	4





* Included in A 48377 B Overhaul Seal Kit

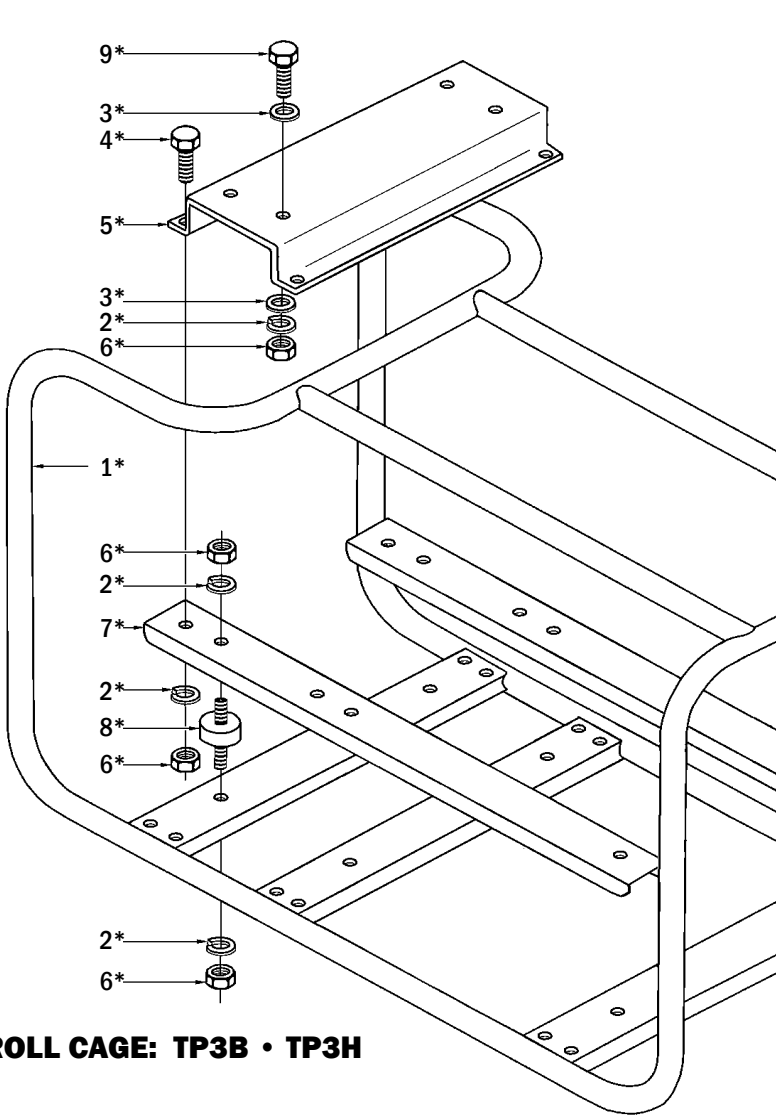
TORQUE SPECS

REF NO.	Inch Pounds	Newton Meters	Notes:
1	200-225	22.6-25.4	
16	150-200	16.9-22.6	
22	25-35	2.8-4.0	

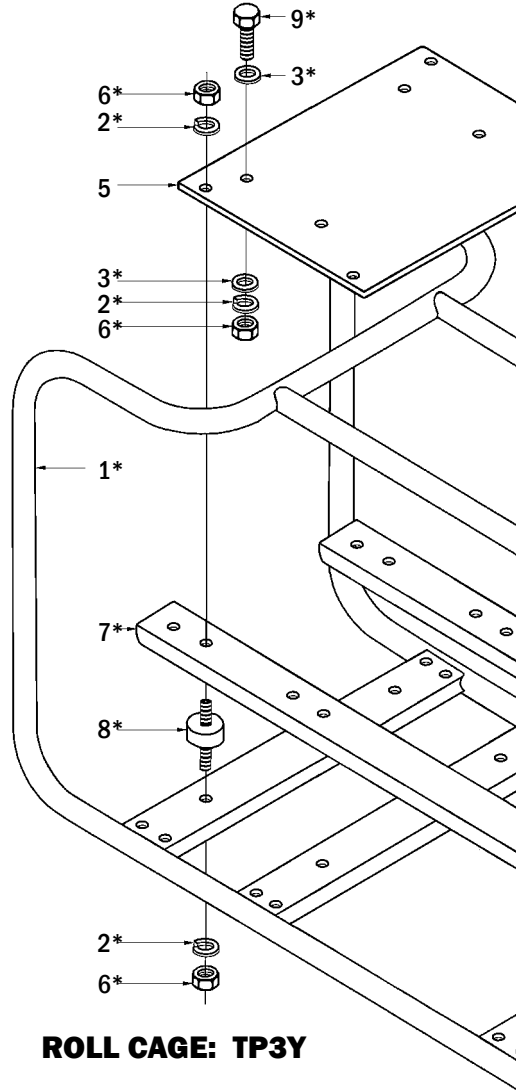
Pump Wet-End Kit: TP3WE (UT-L1614Z)
Includes all pump parts, no engine, no roll cage, for non-metric engine

REF.	PART NO.	DESCRIPTION	QTY.
NS	15013	Engine, B&S Intek Pro 8hp (TP3B)	1
NS	15125	Engine, B&S Intek Pro 10hp (TP3B)	1
NS	00972	Engine, Honda GX240 8hp (TP3H)	1
NS	15046	Engine, Yanmar Diesel 6.7hp (TP3Y)	1
1	80771 B	Screw, 3/8-16 x 1-1/4" (TP3B, TP3H)	4
	15065	Screw, Metric, M8 x 1-1/4" (TP3Y)	4
*2	62666	Sealing Washer (TP3B, TP3H)	4
	62874	Sealing Washer (TP3Y)	4
3	A 47651	Pump Body [includes #4]	1
4	15064	Set Screw, 5/8 x 1" (see also #38, 39)	1
5	51456 1	Wear Plate	1
*6	62688	Slinger	1
7	54866 2A	Disconnect Handle	4
8	62677	Impeller Shim, .032"	AR
	62676	Impeller Shim, .015"	AR
	62675	Impeller Shim, .010"	AR
9	62655 1	Impeller	1
10	51458 1	Impeller Housing	1
11	54398	Handle Stud	4
12	54397	Handle Pivot	4
*13	62713 1A	Shaft Seal	1
14	80049	Cap Screw, Hex Head, 1/4-20 x 5/8"	3
15	83020	Lock Washer, 1/2"	2
16	80272	Cap Screw, Hex Head, 1/2-13 x 1-1/4"	2
17	81111	Hex Nut, 10-32	2
18a	62657 6A	Suction Fitting (Standard NPT Threads)	1
18b	62657 4A	Suction Fitting Metric (BSP Threads)	AR
19	62669	Valve Plate, Small	1
20	62667	Flapper Valve	1
21	62668	Valve Plate, Large	1

REF.	PART NO.	DESCRIPTION	QTY.
22	80032	Screw, 10-32 x 1/2"	2
*23	62367	Gasket, End Housing, Large	1
24	A 43971	Filler Plug [includes #25]	1
*25	18108	Gasket	1
26	A 43896	Drain Cap [includes #27]	1
*27	59910	Gasket	1
*28	62363 A	Gasket, End Housing, Small	1
*29	62665 A	Impeller Housing Gasket	1
30	62716	Impeller Nut (TP3B/H)	1
	15138	Impeller Nut (TP3Y)	1
*31	62772	O-Ring	1
32a	A 47716	End Housing [includes #33a - 35]	1
33a	54289 1	Nipple, 3" NPT	1
34	08970	Decal, Fill Pump	1
35	08971	Decal, Warning	1
32b	A 15176	End Housing BSP [includes #33b - 35]	AR
33b	74676 1	Nipple, 3" NPT x BSP	AR
34	08970	Decal, Fill Pump	AR
35	08971	Decal, Warning	AR
36	09081	Decal, Safety Sign (On Engine)	1
37	15057	Sleeve (TP3Y)	4
38	54193	Lifting Eye (Optional - Kit A15208)	1
39	53273 1	Stud (Optional - Kit A15208)	1
NS	74454 A	Strainer, 3"	1



ROLL CAGE: TP3B • TP3H



ROLL CAGE: TP3Y

* Included in A 15023 Roll Cage Kit

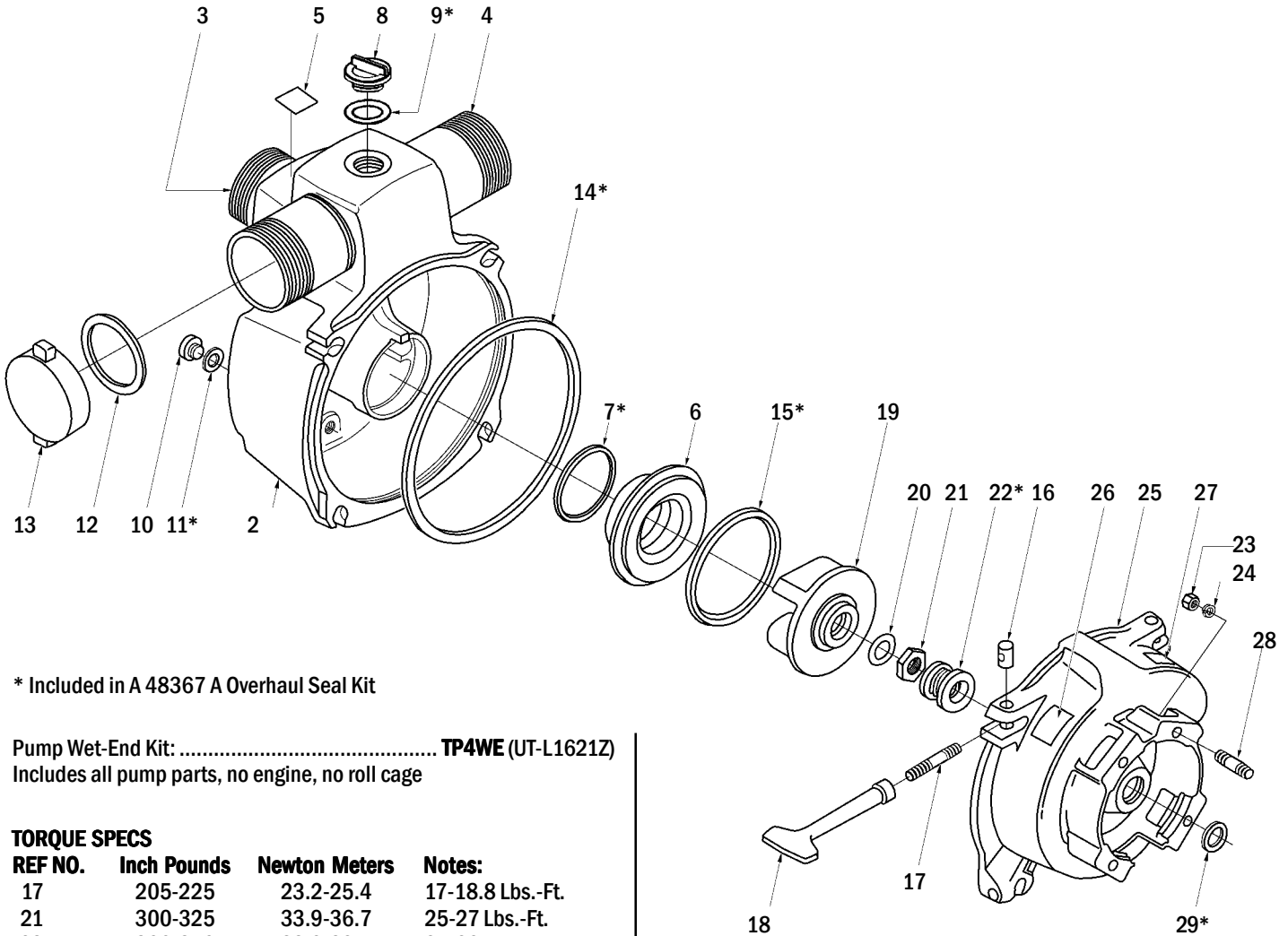
REF.	PART NO.	DESCRIPTION	QTY.
*1	A 07952	Roll Cage	1
*2	83002	Lock Washer, 5/16" (TP3B/H)	20
		(TP3Y)	16
*3	84032	Flat Washer, 5/16"	8
*4	80085	Hex Head Screw, 5/16-18 x 1" (TP3B/H)	4
*5	42121 1A	Engine Bracket (TP3B/H)	1
	15069	Engine Bracket (TP3Y)	1
*6	81162	Hex Nut, 5/16-18 (TP3B/H)	20
		(TP3Y)	16
*7	07958	Engine Channel	2
*8	49367	Vibration Isolator	6
*9	80288	Hex Head Screw, 5/16-18 x 1-3/4"	4

TORQUE SPECS

REF NO.	Inch Pounds	Newton Meters	Notes:
1	130-145	14.7-16.4	
4	205-225	23.2-25.4	17-18.8 Lbs.-Ft.
9	160-200	18.1-22.6	

OTHER PARTS & ACCESSORIES:

PART NO.	DESCRIPTION
A 48377 B	Overhaul Seal Kit
74454 A	Suction Strainer, 3"
15037	Foot Valve, 3"
L 19959	Owner's Manual
A 15061	Spanner Wrench Kit, 3"
A 15043	Dolly Kit
A 15023	Roll Cage Kit (TP3B/H)
A 15208	Lifting Eye Kit
62713 2A	Shaft Seal, Viton



* Included in A 48367 A Overhaul Seal Kit

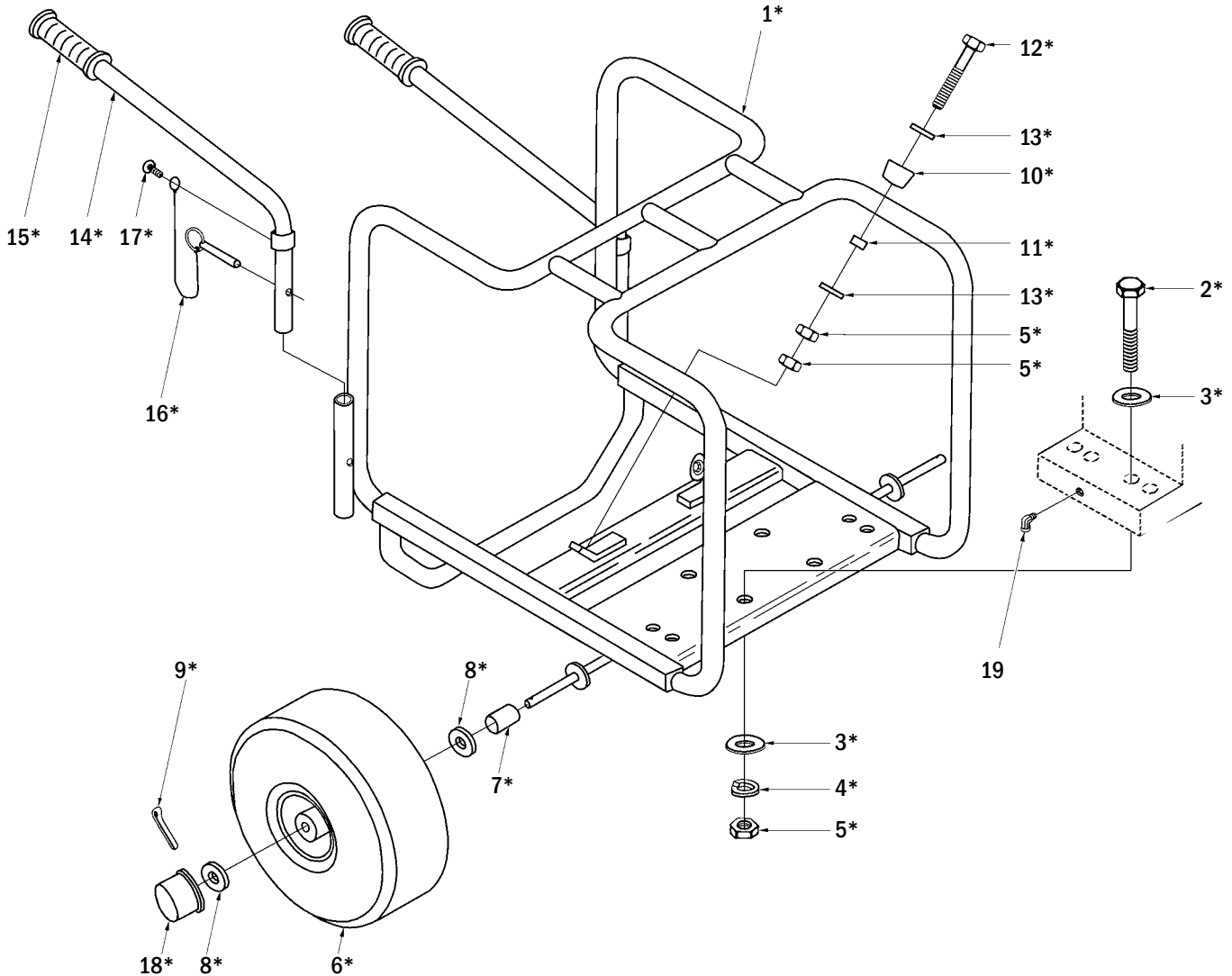
Pump Wet-End Kit: **TP4WE (UT-L1621Z)**
Includes all pump parts, no engine, no roll cage

TORQUE SPECS

REF NO.	Inch Pounds	Newton Meters	Notes:
17	205-225	23.2-25.4	17-18.8 Lbs.-Ft.
21	300-325	33.9-36.7	25-27 Lbs.-Ft.
23	300-350	33.9-39.5	25-29 Lbs.-Ft.
28	360-400	40.7-45.2	30-33.3 Lbs.-Ft.

REF.	PART NO.	DESCRIPTION	QTY.
NS	08546	Engine, Vanguard 16hp (TP4V)	1
NS	15190	Engine, V' guard 16hp Elec Start (TP4VE)	1
NS	15172	Engine, Hatz Diesel 15hp (TP4Z)	1
NS	15214	1 Stub Shaft, for Hatz Engine (TP4Z)	1
NS	15192	Oil Line, Engine to Filter 1/4" (TP4VE)	1
NS	15193	Oil Line, Filter to Engine 1/8" (TP4VE)	1
NS	15197	Battery Cable, Red (TP4VE)	1
NS	15198	Battery Cable, Black (TP4VE)	1
2a	A 09130	End Housing [includes #3a, 4a, 5]	1
3a	54957	1 Nipple, 4" x 3" Close NPT	1
4a	54958	1 Nipple, 4" x 6" NPT	2
	5	08970 Decal, Fill Pump	1
2b	A 15174	End Housing BSP [includes #3b, 4b, 5]	1
3b	15166	Nipple, 4" x 3" NPT/BSP	AR
4b	15167	Nipple, 4" x 6" NPT/BSP	AR
	5	08970 Decal, Fill Pump	1
	6	50679 1 Wear Plate	1
	*7	54665 Gasket, Small	1
	8	A 43971 Filler Cap [includes #9]	1
	*9	18108 Gasket, Filler Cap	1
	10	A 43896 Drain Plug [includes #11]	1
	*11	59910 Gasket	1

REF.	PART NO.	DESCRIPTION	QTY.
	12	25672 Hose Coupling Gasket	1
	13a	53341 2A Discharge Cap	1
	13b	53341 3 Discharge Cap, BSP threads	AR
	*14	54664 Gasket	1
	*15	53189 Wear Plate Gasket	1
	16	54570 1 Handle Pivot	4
	17	54571 Handle Stud	4
	18	54572 2A Disconnect Handle	4
	19	47920 3 Impeller	1
	20	43893 Shim, .010"	AR
		43894 Shim, .015"	AR
		43895 Shim, .032"	AR
	21	46151 Hex Nut	1
	*22	46150 Shaft Seal	1
	23	81060 Hex Nut, 7/16-14	4
	24	83054 Lock Washer, 7/16"	4
	25	54458 2B Impeller Housing [includes #26, 27]	1
	26	09081 Decal, Safety	1
	27	08971 Decal, Warning	1
	28	54963 Stud, 7/16-14	4
	*29	62688 Slinger	1
NS	54956	Strainer, 4"	1



* Included in A 15024 Roll Cage Kit

TORQUE SPECS

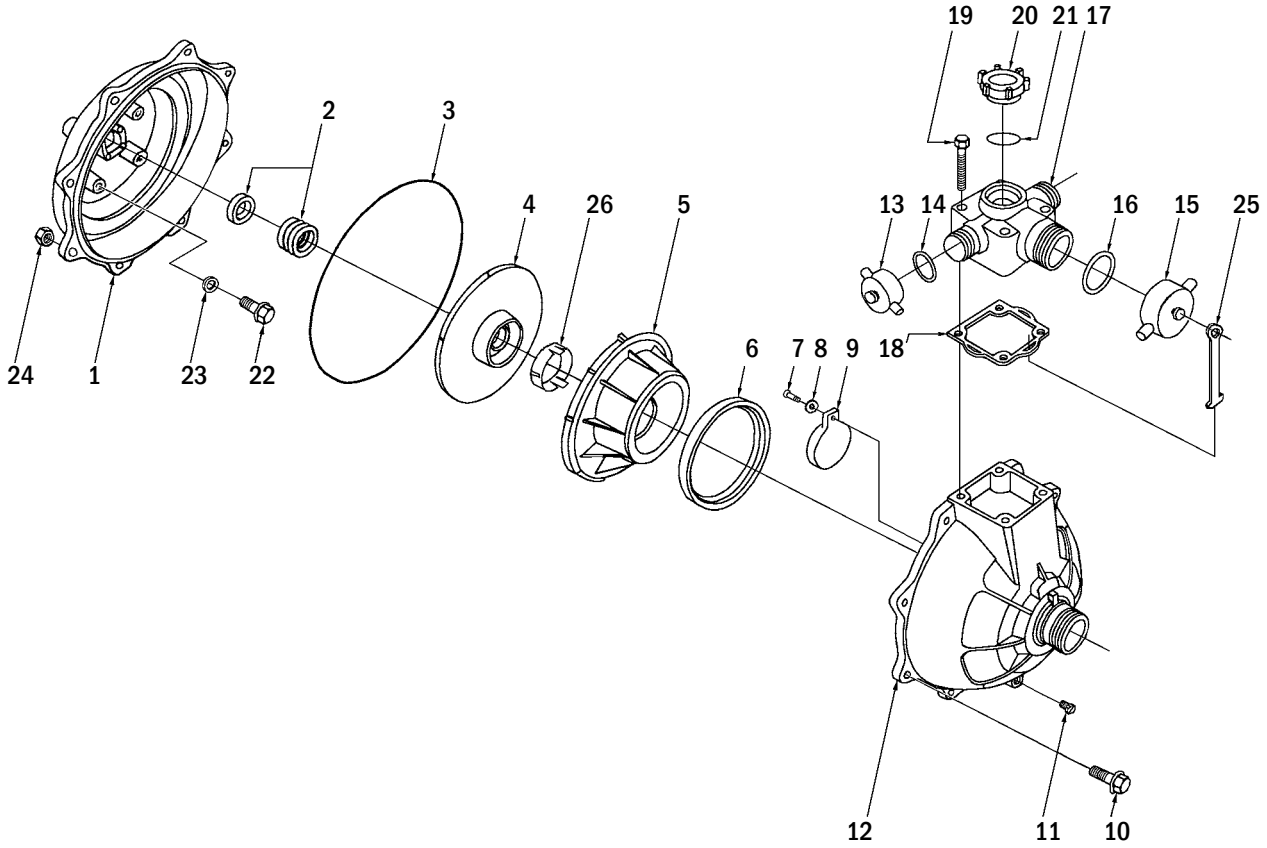
REF NO.	Inch Pounds	Newton Meters	Notes:
2	205-225	23.2-25.4	17-18.8 Lbs.-Ft.
5	130-145	14.7-16.4	

OTHER PARTS & ACCESSORIES:

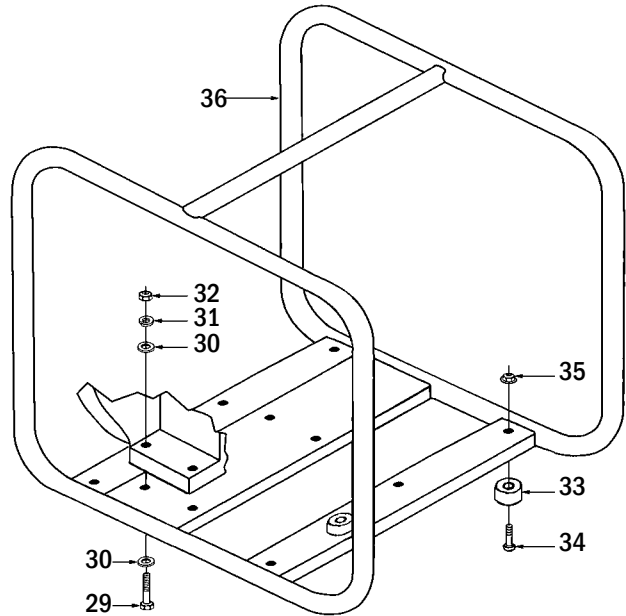
PART NO.	DESCRIPTION
A 48367 A	Overhaul Seal Kit
54956	Strainer, 4"
15038	Foot Valve, 4"
L 00295	Owner's Manual
A 15062	Spanner Wrench Kit, 4"
A 15024	Roll Cage Kit, TP4V/VE
A 15024 B	Roll Cage Kit, TP4Z

REF.	PART NO.	DESCRIPTION	QTY.
*1	A 08002 A	Roll Cage (TP4V, TP4VE)	1
NS	A 15189	Roll Cage (TP4Z)	1
NS		Battery Box (TP4VE)	1
NS		Battery Box (TP4Z)	1
*2	80288	Cap Screw, Hex Head, 5/16-18 x 1-3/4"	4
*3	84001	Washer, Flat, 5/16"	8
*4	83002	Lock Washer, 5/16"	4
*5	81162	Hex Nut, 5/16-18	8
*6	A 08255 A	Wheel & Tire	2
*7	08254	Spacer	2
*8	66628	Washer, Flat	4
*9	86319	Cotter Pin, 5/32 x 1-1/2"	2
*10	48789	Rubber Foot	2
*11	49733	Spacer	2
*12	08747	Screw, Hex Head, 5/16-18 x 2-3/4"	2
*13	84046	Washer, Flat, 5/16"	4
*14	A 08745	Handle	2
*15	07452	Handle Grip	2
*16	08743 A	Hitch Pin & Lanyard	2
*17	15184	Rivet, 1/8" Dia., 1/4" Grip	2
*18	23253	Hub Cap	2
19	49969	Elbow, 3/8" NPT Street	1

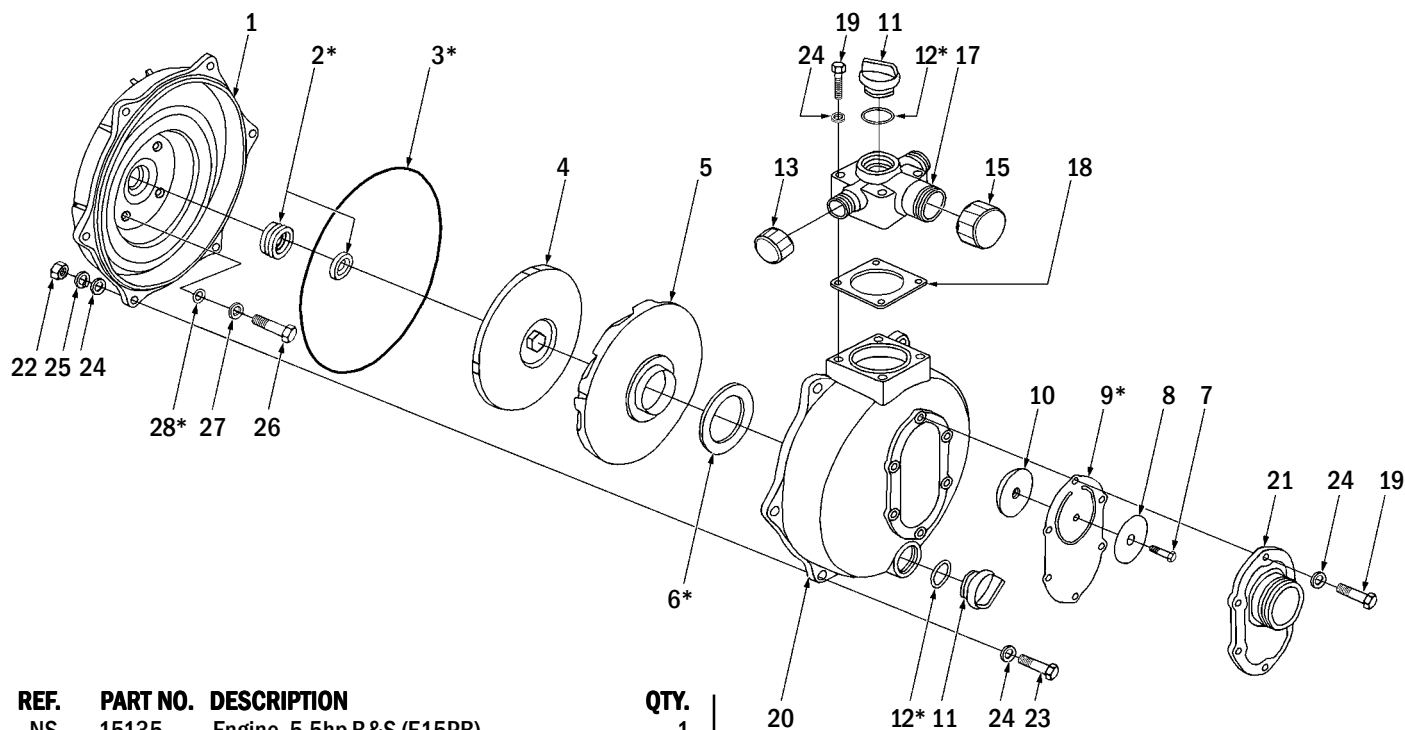
E15PB • E15PH Series 1



REF.	PART NO.	DESCRIPTION	QTY.
NS	15135	Engine, 5.5hp B&S (E15PB)	1
NS	00971	Engine, Honda 5.5hp (E15PH)	1
1	40001	Impeller Housing	1
2	A 40003	Shaft Seal Assembly	1
3	40004	O-Ring, Large	1
4	40005	Impeller	1
5	40007	Volute	1
6	40008	Gasket	1
7	40101	Screw	1
8	40102	Retainer, Check Valve	1
9	40009	Check Valve.....	1
10	40103	Screw, 8mm x 35mm	8
11	40010	Drain Plug	1
12	40002	End Housing	1
13	40011	Discharge Cap, 1"	2
14	40012	Gasket	2
15	40013	Discharge Cap, 1-1/2"	1
16	40014	Gasket	1
17	40016	Discharge Fitting	1
18	40017	Gasket	1
19	40104	Screw, 8mm x 60mm	4
20	A 40122	Filler Plug (Includes #21)	1
21	40019	O-Ring	1
22	40105	Screw, 8mm x 40mm	4
23	40106	Sealing Washer	4
24	40107	Hex Nut	8
25	40015	Lanyard	3
26	40140	Bushing	1

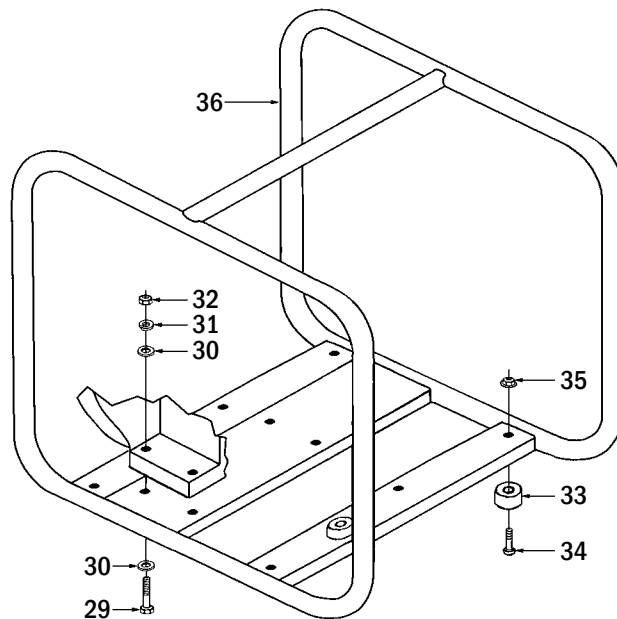


REF.	PART NO.	DESCRIPTION	QTY.
29	80087	Screw, 5/16 x 1-1/2	4
30	84032	Washer, Flat, 5/16	8
31	83002	Lock Washer, 5/16	4
32	81162	Nut, Hex 5/16	4
33	40063	Rubber Foot	4
34	40113	Screw, Phillips,	4
35	40114	Nut,	4
36	40062	Roll Cage	1



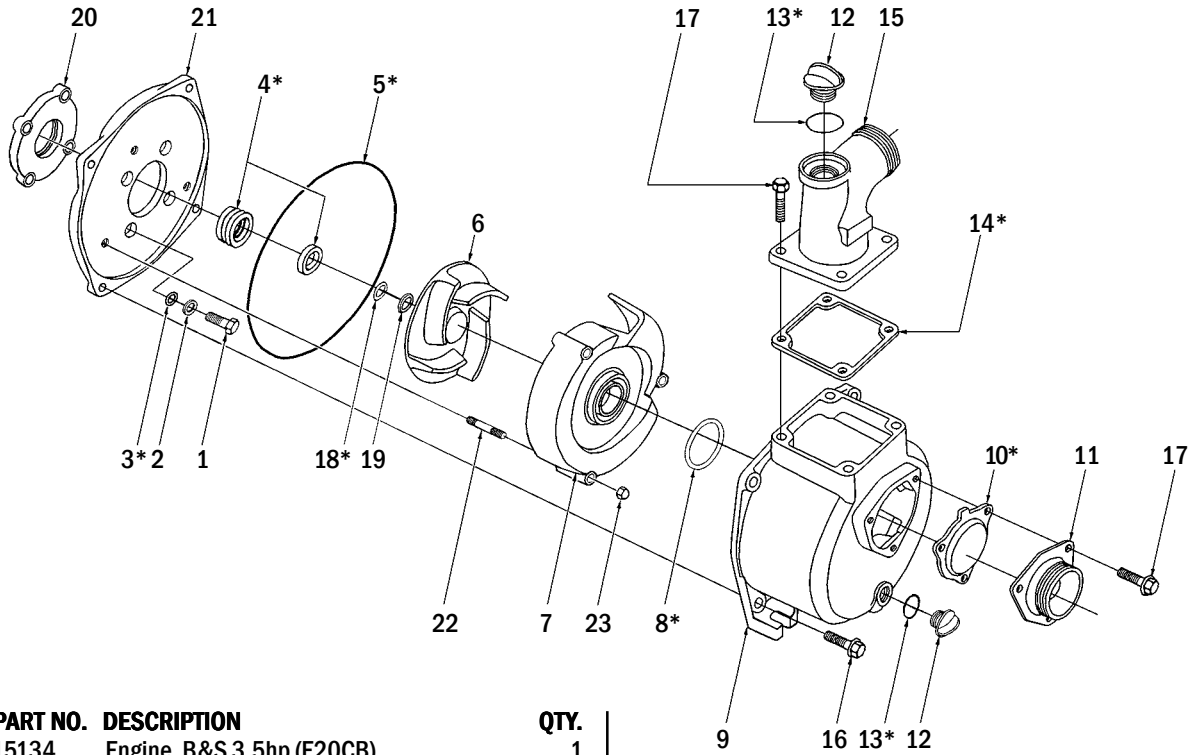
REF.	PART NO.	DESCRIPTION	QTY.
NS	15135	Engine, 5.5hp B&S (E15PB)	1
NS	00971	Engine, Honda 5.5hp (E15PH)	1
1	40128	Impeller Housing	1
*2	A 40156	Shaft Seal Assembly	1
*3	40130	O-Ring, Large	1
4	40131	Impeller	1
5	40132	Volute	1
*6	40133	Gasket	1
7	40134	Screw	1
8	40135	Retainer, Check Valve	1
*9	40136	Check Valve	1
10	40143	Weight, Check Valve	1
11	A 40141	Drain & Fill Plug (Includes #12)	2
*12	40019	O-Ring	2
13	40147	Discharge Cap, 1"	1
*14	40012	Gasket	2
15	40148	Discharge Cap, 1-1/2"	1
*16	40014	Gasket	1
17	40149	Discharge Fitting	1
*18	40139	Gasket	1
19	40110	Screw, 8mm x 25mm	10
20	40138	End Housing	1
21	40145	Suction Fitting	1
22	40107	Hex Nut, 8mm	6
23	40105	Screw, 8mm x 40mm	6
24	40142	Washer, Flat, 8mm	16
25	40144	Lock Washer, 8mm	6
26	40111	Socket Head Screw, 5/16-24 x 1-1/4	4
27	40146	Washer, Flat, 8mm	4
*28	62874	Sealing Washer	4
29	80087	Screw, 5/16 x 1-1/2	4
30	84032	Washer, Flat, 5/16	8
31	83002	Lock Washer, 5/16	4
32	81162	Nut, Hex 5/16	4
33	40063	Rubber Foot	4
34	40113	Screw, Phillips	4
35	40114	Nut	4
36	40154	Roll Cage	1

* Included in A 40150 Overhaul Seal Kit



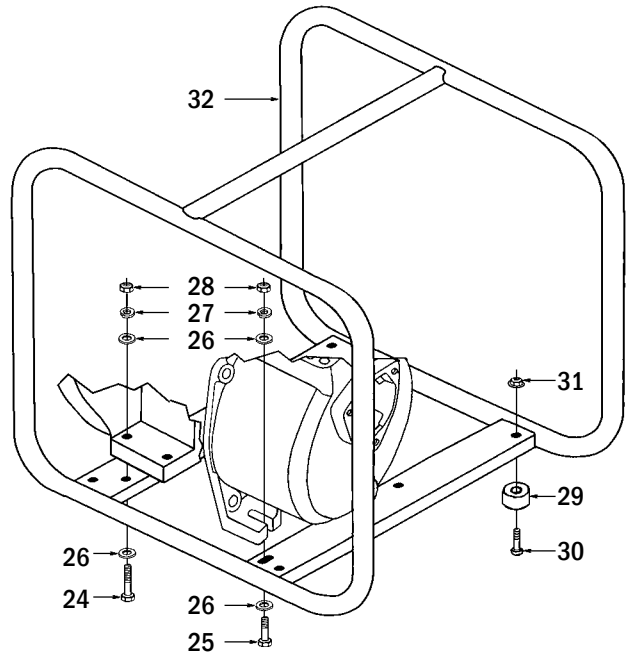
OTHER PARTS & ACCESSORIES:

PART NO.	DESCRIPTION
A 40150	Overhaul Seal Kit
L 24039	Owner's Manual
15136	Foot Valve, 1-1/2"
62699	Strainer, Steel, 1-1/2"



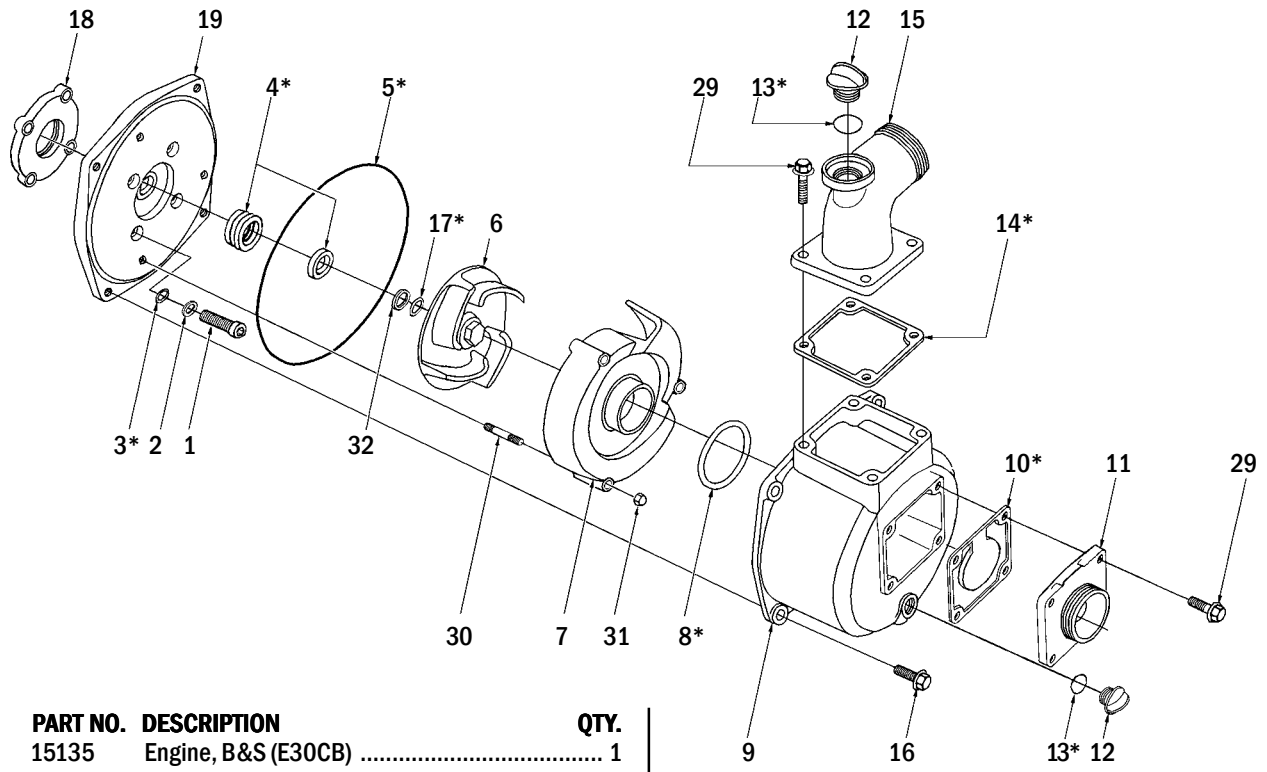
REF.	PART NO.	DESCRIPTION	QTY.
NS	15134	Engine, B&S 3.5hp (E20CB)	1
NS	00971	Engine, Honda 5.5hp (E20CH)	1
1	40112	Screw, 5/16 x 1-3/4 UNF	4
2	40146	Washer, Flat, 8mm	4
*3	62874	Sealing Washer	4
*4	A 40123	Shaft Seal Assembly	1
*5	40024	O-Ring, Large	1
6	40026	Impeller	1
7	40027	Impeller Housing	1
*8	40028	O-Ring, Impeller Housing	1
9	40022	Pump Body	1
*10	40029	Check Valve	1
11	40030	Suction Fitting	1
12	A 40125	Drain & Fill Plug (includes #13)	2
*13	40032	O-Ring	2
*14	40034	Gasket	1
15	40033	Discharge Fitting	1
16	40109	Screw, 8mm x 30mm	4
17	40110	Screw, 8mm x 25mm	7
*18	62872	Shim, .010"	AR
	62873	Shim, .015"	AR
19	84004	Washer	AR
20	40064	Pump Spacer	1
21	40021	Back Plate	1
22	40117	Stud, 4mm x 50mm	2
	40118	Stud, 4mm x 60mm	1
23	40119	Cap Nut, 4mm	3
24	80087	Screw, 5/16 x 1-1/2	2
25	80085	Screw, 5/16 x 1	2
26	84032	Washer, Flat, 5/16	8
27	83002	Lock Washer, 5/16	4
28	81162	Nut, Hex 5/16	4
29	40063	Rubber Foot	4
30	40113	Screw, Phillips	4
31	40114	Nut	4
32	40062	Roll Cage	1
NS	40035	Strainer, Plastic 2"	1

* Included in A 40151 Overhaul Seal Kit



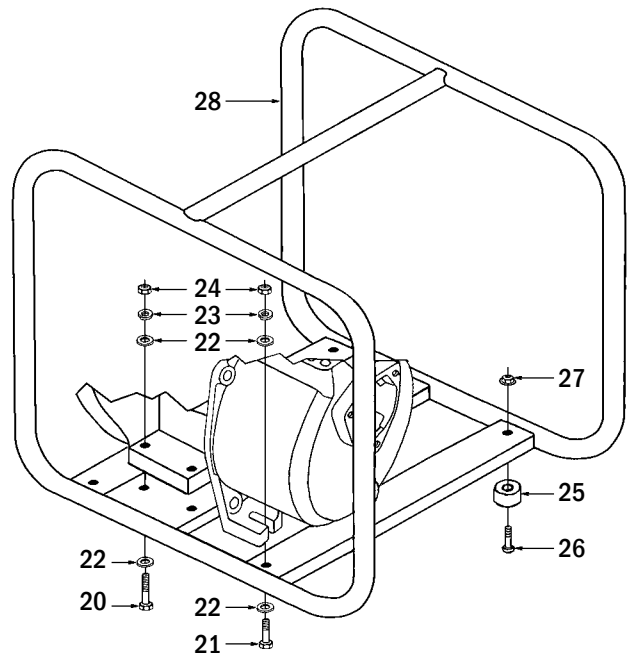
OTHER PARTS & ACCESSORIES:

PART NO.	DESCRIPTION
L 24039	Owner's Manual
A 40151	Overhaul Seal Kit
19189 B	Spanner Wrench, 2"
15036	Foot Valve, 2"
30128	Strainer, Steel, 2"



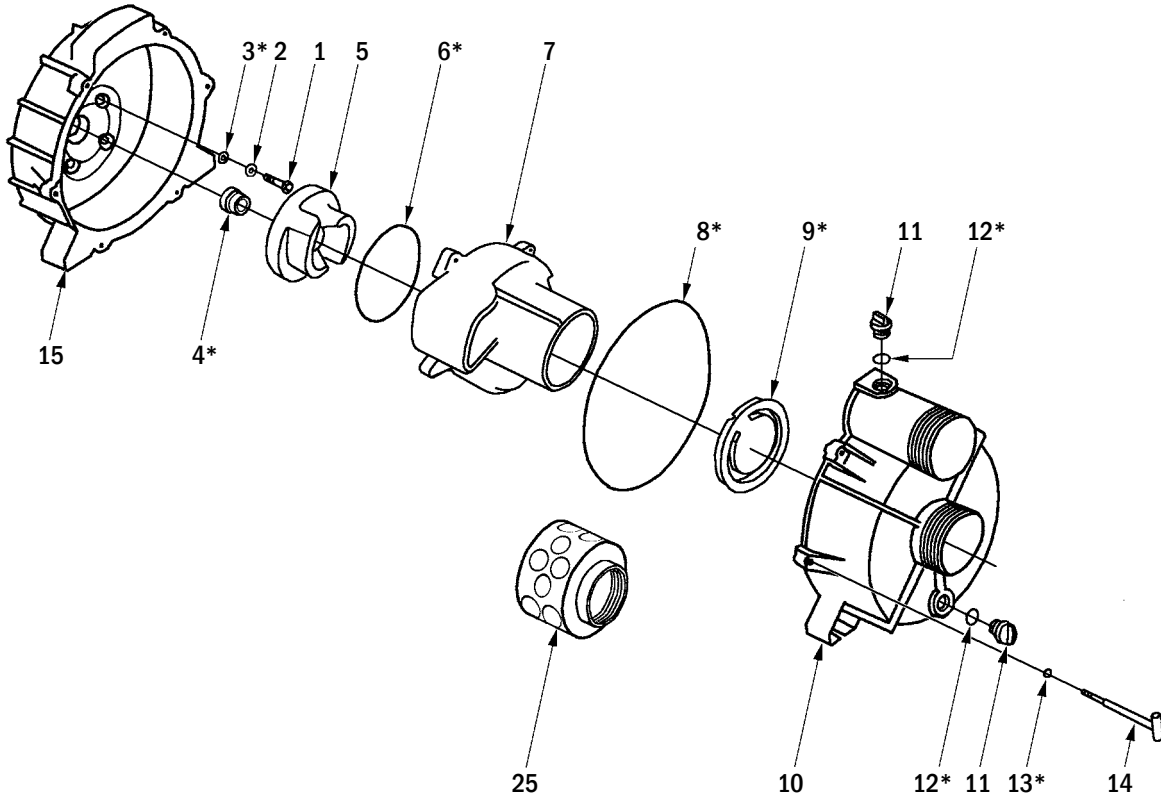
REF.	PART NO.	DESCRIPTION	QTY.
NS	15135	Engine, B&S (E30CB)	1
NS	00971	Engine, Honda 5.5hp (E30CH)	1
NS	15231	Engine, Kohler 6.5hp (E30CK)	1
1	40112	Screw, 5/16 x 1-3/4 UNF	4
2	40146	Washer, Flat, 8mm	4
*3	62874	Sealing Washer	4
*4	A 40123	Shaft Seal Assembly	1
*5	40039	O-Ring, Large	1
6	40040	Impeller	1
7	40041	Impeller Housing	1
*8	40042	O-Ring, Impeller Housing	1
9	40037	Pump Body	1
*10	40043	Check Valve	1
11	40044	Suction Fitting	1
12	A 40125	Drain & Fill Plug (includes #13)	2
*13	40032	O-Ring	2
*14	40045	Gasket	1
15	40046	Discharge Fitting	1
16	40109	Screw, 8mm x 30mm	4
*17	62872	Shim, .010"	AR
	62873	Shim, .015"	AR
18	40064	Pump Spacer	1
19	40036	Back Plate	1
20	80087	Screw, 5/16 x 1-1/2	2
21	80088	Screw, 5/16 x 1-1/4	2
22	84032	Washer, Flat, 5/16	8
23	83002	Lock Washer, 5/16	4
24	81162	Nut, Hex 5/16	4
25	40063	Rubber Foot	4
26	40113	Screw, Phillips,	4
27	40114	Nut	4
28	40154	Roll Cage	1
29	40110	Screw, 8mm x 25mm	8
30	40118	Stud, 4mm x 60mm	3
31	40119	Cap Nut, 4mm	3
32	84056	Spacer, Impeller	2
NS	40047	Strainer, Plastic 3"	1

* Included in A 40152 Overhaul Seal Kit



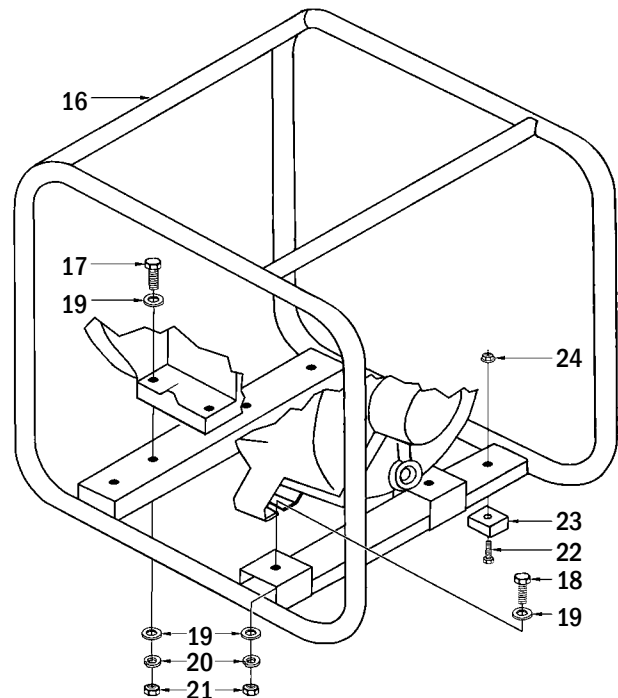
OTHER PARTS & ACCESSORIES:

PART NO.	DESCRIPTION
L 24039	Owner's Manual
A 40152	Overhaul Seal Kit
20024 B	Spanner Wrench Kit, 3"
15037	Foot Valve, 3"
30129	Strainer, Steel, 3"



* Included in A 40153 Overhaul Seal Kit

REF.	PART NO.	DESCRIPTION	QTY.
NS	15135	Engine, B&S 5.5 (E30TB)	1
NS	00971	Engine, Honda 5.5hp (E30TH)	1
1	40111	Socket Head Screw, 5/16-24 x 1-1/4	4
2	40146	Washer, Flat	4
*3	62874	Sealing Washer	4
*4	A 40157	Shaft Seal Assembly	1
5	40051	Impeller	1
*6	40052	O-Ring	1
7	40053	Impeller Housing	1
*8	40054	O-Ring, Large	1
*9	40055	Check Valve	1
10	40049	End Housing	1
11	A 40125	Fill/Drain Plug (includes #12)	2
*12	40032	O-Ring	2
*13	40056	O-Ring	6
14	40057	T-Bolt	6
15	40048	Pump Body	1
16	40065	Roll Cage	1
17	80087	Screw, 5/16 x 1-1/2	2
18	80085	Screw, 5/16 x 1	2
19	84032	Flat Washer, 5/16	8
20	83002	Lock Washer, 5/16	4
21	81162	Hex Nut, 5/16	4
22	40115	Screw	4
23	40061	Rubber Foot	4
24	40116	Nut	4
25	40058	Strainer, 3" Steel	1

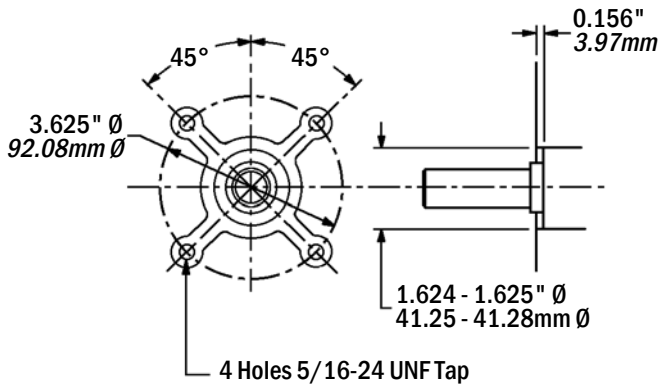


OTHER PARTS & ACCESSORIES:

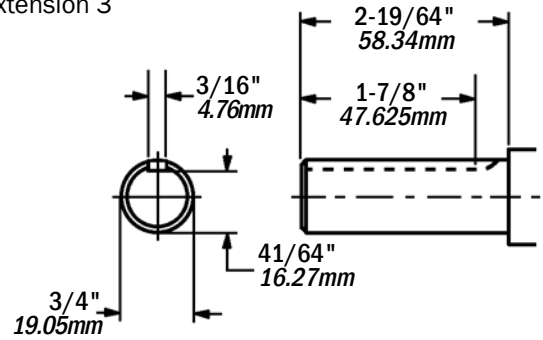
PART NO.	DESCRIPTION
L 24039	Owner's Manual
A 40153	Overhaul Seal Kit
20024 B	Spanner Wrench Kit, 3"
15037	Foot Valve, 3"

Pump Shaft and Mounting Flange Requirements

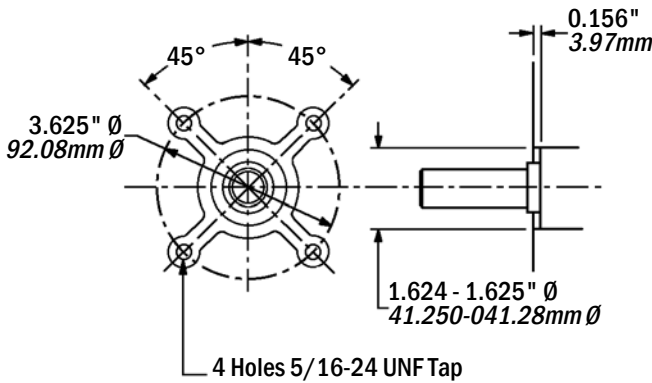
AP / DP2 / DP3



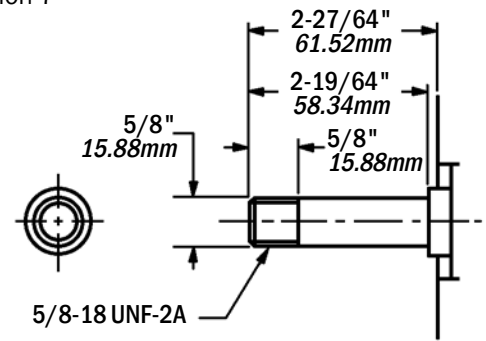
SAE J609 Flange A,
Shaft Extension 3



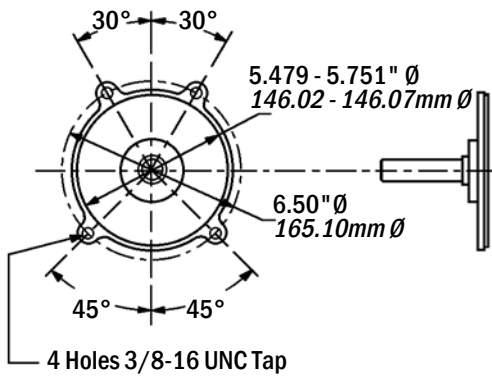
S2 / TP2 / E15P / E20C / E30C / E30T



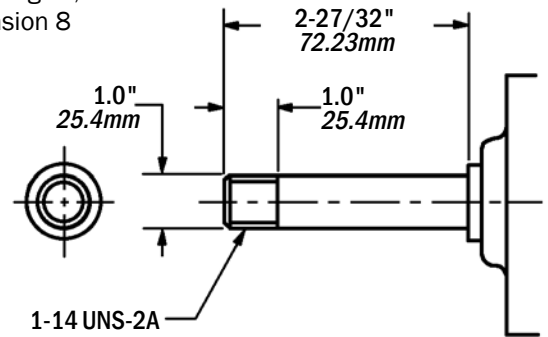
SAE J609 Flange A,
Shaft Extension 7



FP25 / S3 / TP3

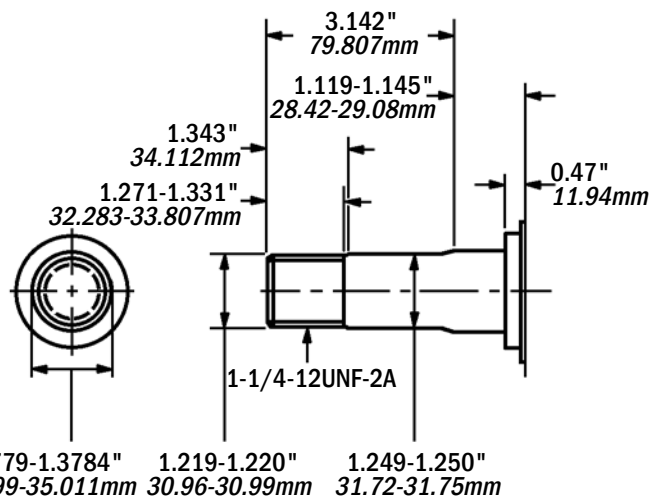
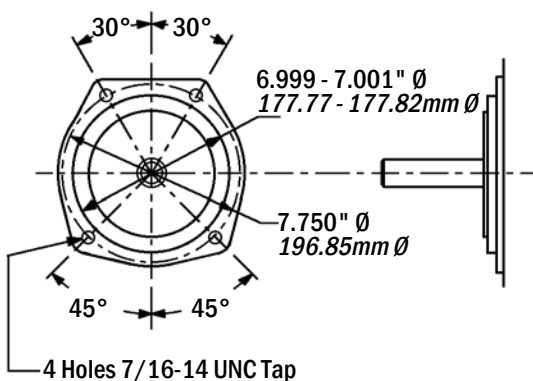


SAE J609 Flange B,
Shaft Extension 8



TP4

SAE J609 Flange C,
Non-Standard Shaft
Extension



ACCESSORIES

Suction Hose, Heavy-Duty Rubber

For contractor and industrial use; stays flexible when cold. Spiral cord, wire helix reinforcement; black synthetic rubber tube and cover.

Suction Hose, Standard PVC

General purpose PVC hose. Lightweight, easy to handle. PVC helix.

Size	Heavy-Duty	Standard PVC
	Rubber Suction Hose	Suction Hose
	Part No.	Part No.
1.5" x 10'	16115 10	16015 10
1.5" x 15'	16115 15	16015 15
1.5" x 20'	16115 20	16015 20
1.5" x 25'	16115 25	16015 25
2" x 10'	16120 10	16020 10
2" x 15'	16120 15	16020 15
2" x 20'	16120 20	16020 20
2" x 25'	16120 25	16020 25
2.5" x 10'	16125 10	16025 10
2.5" x 15'	16125 15	16025 15
2.5" x 20'	16125 20	16025 20
2.5" x 25'	16125 25	16025 25
3" x 10'	16130 10	16030 10
3" x 15'	16130 15	16030 15
3" x 20'	16130 20	16030 20
3" x 25'	16130 25	16030 25
4" x 10'	16140 10	16040 10
4" x 15'	16140 15	16040 15
4" x 20'	16140 20	16040 20
4" x 25'	16140 25	16040 25

Discharge Hose, Heavy-Duty Mill

Lightweight, easy to handle general purpose hose. All polyester; mildew resistant. Ozone resistant synthetic rubber tube, white polyester cover.

Discharge Hose, Standard PVC

General discharge use (not high pressure); triple cord reinforcement.

Size	Heavy-Duty	Standard PVC
	Mill Discharge Hose	Discharge Hose
	Part No.	Part No.
1.5" x 25'	16315 25	16215 25
1.5" x 50'	16315 50	16215 50
1.5" x 100'	16315 100	16215 100
2" x 25'	16320 25	16220 25
2" x 50'	16320 50	16220 50
2" x 100'	16320 100	16220 100
2.5" x 25'	16325 25	16225 25*
2.5" x 50'	16325 50	16225 50*
2.5" x 100'	16325 100	16225 100*
* Not recommended for use with FP25		
3" x 25'	16330 25	16230 25
3" x 50'	16330 50	16230 50
3" x 100'	16330 100	16230 100
4" x 25'	16340 25	16240 25
4" x 50'	16340 50	16240 50
4" x 100'	16340 100	16240 100

Suction Hose, PVC Marine

Strong glass-filled nylon fittings, stainless steel clamps.

Size	Part No.
2" x 10'	15116 10
2" x 15'	15116 15

Quick Connect Fittings

Available in die cast aluminum (shown) or glass-filled polypropylene.

Part 'A' Adapter
NPT Female /
QuickConnect Male



Part 'B' Coupler
NPT Male /
QuickConnect Female



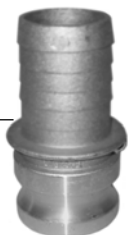
Part 'C' Coupler
Hose Barb /
QuickConnect Female



Part 'D' Coupler
NPT Female /
QuickConnect Female



Part 'E' Adapter
Hose Barb /
QuickConnect Male



Part 'F' Adapter
NPT Male /
QuickConnect Male



Part / Size	Polypropylene	Aluminum
	Part No.	Part No.
Part A, 1.5"	16515 A	16415 A
Part B, 1.5"	16515 B	16415 B
Part C, 1.5"	16515 C	16415 C
Part D, 1.5"	16515 D	16415 D
Part E, 1.5"	16515 E	16415 E
Part F, 1.5"	16515 F	16415 F
Part A, 2"	16520 A	16420 A
Part B, 2"	16520 B	16420 B
Part C, 2"	16520 C	16420 C
Part D, 2"	16520 D	16420 D
Part E, 2"	16520 E	16420 E
Part F, 2"	16520 F	16420 F
Part A, 2.5"		16425 A
Part B, 2.5"		16425 B
Part C, 2.5"		16425 C
Part D, 2.5"		16425 D
Part E, 2.5"		16425 E
Part F, 2.5"		16425 F
Part A, 3"	16530 A	16430 A
Part B, 3"	16530 B	16430 B
Part C, 3"	16530 C	16430 C
Part D, 3"	16530 D	16430 D
Part E, 3"	16530 E	16430 E
Part F, 3"	16530 F	16430 F
Part A, 4"	16540 A	16440 A
Part B, 4"	16540 B	16440 B
Part C, 4"	16540 C	16440 C
Part D, 4"	16540 D	16440 D
Part E, 4"	16540 E	16440 E
Part F, 4"	16540 F	16440 F

ACCESSORIES

AG PUMP ACCESSORIES

Ag Pump Skid Kit

Fits AP pump models	A43318
Kit Contents:	
(2) Skid Assembly	A43263
(1) Mounting Bar	43262 1
(3) Screw	46053A
(2) Screw	80288
(8) Washer	84046
(3) Lock Washer	83002
(5) Nut	81162

Ag Pump Roll Cage Kit

Fits AP pump models. Includes hardware.	A15141
Kit Contents:	
(1) Roll Cage	15124
(4) Screw, 5/16-18 x 1-1/2	80087
(8) Washer	84001
(4) Lock Washer	83002
(4) Hex Nut, 5/16-18	81162

Plastic Reducer Bushing, 2" to 1-1/2"

For use with 2" Ag pumps, for 1-1/2" discharge hose. 15082

Plastic Elbow, 2"

Used with Ag pumps; 2" NPT M/F threads 43305

Plastic Nipple, 2"

Used with Ag pumps; 2" NPT threads 03040

Plastic Strainer

For Ag pumps, and for use in saltwater or some corrosive environments.	
1.5" Strainer	43306
2" Strainer	43307
3" Strainer	15168

Fire Nozzle

Fog & Spray Nozzle; 1-1/2"; 75 gpm (284 Lpm) 15081

FP25 PRESSURE PUMP ACCESSORIES

Adapter Nipple, 2-1/2"

For use with FP25; NPT to BSP; Brass	01464
For use with FP25; NPT to BSP; Plated Steel	01464A
For use with FP25; NPT to NH (National Hydrant)	43741

Adapter Bushing, 2-1/2" to 2"

For use with FP25; reduces discharge port size to 2" NPT 15170

HOSE KITS

Fire Hose Kit

For use with Ag Series pumps, other 2" pumps A15164

Kit Contents:	
(1) PVC Suction Hose, 2" x 15'	16020 15
(1) Strainer, 2" Plastic	43307
(1) PVC Discharge Hose, 1-1/2" x 100'	16215 100
(1) Nozzle, 1-1/2"	15081
(1) Nipple, Plastic 2"	03040
(1) Street Elbow, Plastic 2"	43305
(1) Reducing Nipple, Plastic, 2" x 1-1/2"	15165

General Purpose Hose Kit

For use with Ag Series pumps, other 2" pumps A15171

Kit Contents:	
(1) PVC Suction Hose, 2" x 20'	16020 20
(1) Strainer, 2" Plastic	43307
(1) PVC Discharge Hose, 2" x 25'	16220 25
(2) Nipple, Plastic 2"	03040
(1) Street Elbow, Plastic 2"	43305

STEEL SUCTION STRAINERS

Square Hole Strainer (Trash Pumps & Diaphragm Pumps)

2" Strainer	54702A
3" Strainer	74454A
4" Strainer	54956

Round Hole Strainer (Standard Centrifugal & Pressure Pumps)

1.5" Strainer	62699
2" Strainer	30128
2.5" (NH threads)	43742
2.5" (NPS threads)	01521
3" Strainer	30129

Skimmer Strainer ("Puddle Sucker" - dewatering to 1/2")

1.5" Strainer	48480
2" Strainer	48396
3" Strainer	48481

CAST IRON FOOT VALVES

Cast iron construction; leather check valve.

1.5" Foot Valve	15136
2" Foot Valve	15036
2.5" Foot Valve	15137
3" Foot Valve	15037
4" Foot Valve	15038

STRAINER NIPPLE

Hose barb x NPT threads; use with clamps (not included).

Strainer Nipple, 1.5"	17003 15
Strainer Nipple, 2"	17003 20
Strainer Nipple, 2.5"	17003 25
Strainer Nipple, 3"	17003 30
Strainer Nipple, 4"	17003 40

SPANNER WRENCH KITS

Spanner Wrench Kit, 2"	A15060
Spanner Wrench Kit, 3"	A15061
Spanner Wrench Kit, 4"	A15062

Kit Contents:

(1) Spanner Wrench, 2" (Kit A15060)	19189B
(1) Spanner Wrench, 3" (Kit A15061)	20024B
(1) Spanner Wrench, 4" (Kit A15062)	22148
(1) Bracket	624501
(1) Screw	80044
(1) Washer	84020

Universal Dolly Kit

Fits most models with roll cage A15043

Kit Contents:

(2) Handle Grip	07452
(2) U-Bolt, with Plate and Hex Nuts	49453
(2) Wheel & Tire, Semi-Pneumatic	49454
(8) Screw, 5/16-18 x 3/4	80083
(8) Hex Nut, 5/16-18	81162
(4) Hex Nut, 1/4-20	81242
(2) Flat Washer	84114
(2) Retaining Washer	84125
(2) Cotter Pin, 3/32 x 1-1/8	86303
(1) Axle, 30"	PA01050
(2) Handle	PS03393
(8) Clamp	PS03395
(1) Axle, 27-1/8"	PS03522
(2) Foot with Insert	PS03587

HOMELITE SERIAL NUMBERING SYSTEM

HP3440138

H = Homelite
 P = Year of Final Assembly (Table at Right)
 344 = Day of Year
 This unit was built on Dec. 10, the 344th day of 1994.
 0138 = Sequential unit built
 This was the 138th unit built on December 10, 1994.

A - 1979	B - 1980	C - 1981	D - 1982
E - 1983	F - 1984	G - 1985	H - 1986
I - 1987	J - 1988	K - 1989	L - 1990
M - 1991	N - 1992	O - 1993	P - 1994
Q - 1995	R - 1996	S - 1997	T - 1998
U - 1999	V - 2000	W - 2001	X - 2002

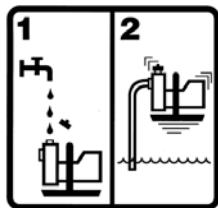
HOMELITE PUMP MODEL CROSS REFERENCE

MODEL	TYPE	DESCRIPTION	RPMI VERSION	MODEL	TYPE	DESCRIPTION	RPMI VERSION
111DP2	Diaphragm, 2"	B&S 3.5	DP2B	HCP420	Std. Centrif., 2"	Built for Homelite	None - No Parts
111DP3	Diaphragm, 3"	B&S 3.5	DP3B	HCP630	Std. Centrif., 3"	Built for Homelite	None - No Parts
111R2	Std. Centrif., 2"	Robin, die cast	None - No Parts	HDP2	Diaphragm, 2"	Honda 4	DP2H
111S2	Std. Centrif., 2"	B&S 3.5	S2B	HDP3	Diaphragm, 3"	Honda 5.5	DP3H
120S3	Std. Centrif., 3"	B&S 8	Parts Only	HSM400	Submersible, 2"	Submersible	None - No Parts
120TP3	Trash Pump, 3"	B&S 8	TP3B	HSM750	Submersible, 2"	Submersible	None - No Parts
121TP2	Trash Pump, 2"	B&S 5	TP2B	HST320	Std. Centrif., 2"	Built for Homelite	None - No Parts
160TP4	Trash Pump, 4"	B&S 16; roll cage or skid	TP4V	HST520	Std. Centrif., 2"	Built for Homelite	None - No Parts
AP125	Ag Pump, 1"	Trimmer engine, plastic pump	(future)	HTP2	Trash Pump, 2"	Honda 5.5	TP2H
AP215	Ag Pump, 1.5"	B&S 3.5; use reducer	AP22	HTP3	Trash Pump, 3"	Honda 8	TP3H
AP220	Ag Pump, 2"	B&S 3.5	AP22	P100	Std. Centrif., 1"	"Waterbug"	None - No Parts
AP315	Ag Pump, 1.5"	B&S 3.5; use reducer	AP32	RDP2	Diaphragm, 2"	Robin engine	DP2B/H
AP320	Ag Pump, 2"	B&S 3.5, with skids	AP32	RDP3	Diaphragm, 3"	Robin engine	DP3B/H
AP520	Ag Pump, 2"	B&S 5	AP52B	RS2	Std. Centrif., 2"	Robin engine	S2B/H
CC150	Std. Centrif., 1.5"	Old, die cast	None - No Parts	RTP3	Trash Pump, 3"	Robin engine	TP3B/H
CC200	Std. Centrif., 2"	Old, die cast	None - No Parts	RDTP-2	Trash Pump, 2"	Robin diesel engine	TP2Y
CC205	Std. Centrif., 2"	Old, die cast	None - No Parts	RDTP3	Trash Pump, 3"	Robin diesel engine	TP3Y
C150	Std. Centrif., 1.5"	Old, die cast	None - No Parts	SP150	Submersible	Built by Homelite	None - No Parts
C200	Std. Centrif., 2"	Old, die cast	None - No Parts	SP200	Submersible	Built by Homelite	None - No Parts
FP150	Pressure, 1.5"	Homelite 6.8 hp	None - No Parts	SP300	Submersible	Built by Homelite	None - No Parts
FP250	Pressure, 2.5"	B&S 10 / 11	FP25V	VTP4	Trash Pump, 4"	Vanguard 16	TP4V
HC320	Std. Centrif., 2"	Built for Homelite	None - No Parts	XLS1-1/2	Std. Centrif., 1.5"	Chain saw engine	None - No Parts
HC520	Std. Centrif., 2"	Built for Homelite	None - No Parts	XLS2	Std. Centrif., 2"	Chain saw engine	None - No Parts

INFORMATIONAL DECALS

For ordering reference only - actual decal may vary slightly. Not to scale.

08970 - Decal, Fill Pump



08971 - Decal, Warning



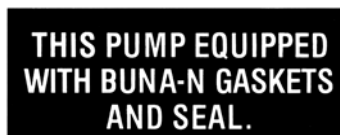
08972 - Decal, Grease



09081 - Decal, Safety Sign



48328 - Decal, Buna-N



43880 A - Decal, EPDM





Ag Series Pumps - Chemical Compatibility Chart

Maximum pumping temperature is 125 °F (51.7 °C).

Check specific gravity of solution or mixture to avoid overloading the pump.

CAUTION: Do Not use any Riverside Pumps products to pump flammable materials.

Chemical or Substance	Limits of Use	Buna-N	EPDM
Acetic Acid (Vinegar)	5% Solution or mixture of pumpage		X
Aluminum Hydroxide	120 °F (48.9 °C) Temperature limit	X	X
Aluminum Sulfate	10% Solution or mixture of pumpage	X	X
Ammonia	20% Solution or mixture of pumpage; 70 °F (21.1 °C) temperature limit	X	X
Ammonium Persulfate			X
Ammonium Phosphate		X	X
Ammonium Sulfate	80 °F (26.7 °C) Temperature limit	X	X
Beer		X	X
Calcium Carbonate	120 °F (48.9 °C) Temperature limit	X	X
Calcium Chloride	20% Solution or mixture of pumpage; 80 °F (26.7 °C) temperature limit	X	X
Carbonic Acid	120 °F (48.9 °C) Temperature limit	X	
Citric Acid	70 °F (21.1 °C) Temperature limit		X
Fatty Acids	120 °F (48.9 °C) Temperature limit		X
Ferric Nitrate	80 °F (26.7 °C) Temperature limit		X
Formaldehyde	20% Solution or mixture of pumpage	X	X
Mineral Oils	70 °F (21.1 °C) Temperature limit	X	
Nickel Chloride	10% Solution or mixture of pumpage; 80 °F (26.7 °C) temperature limit		X
Nickel Sulfate	10% Solution or mixture of pumpage; 80 °F (26.7 °C) temperature limit	X	
Potassium Bicarbonate	20% Solution or mixture of pumpage	X	
Potassium Carbonate	10% Solution or mixture of pumpage	X	X
Potassium Chlorate	5% Solution or mixture of pumpage	X	X
Potassium Chloride	5% Solution or mixture of pumpage	X	X
Potassium Nitrate	5% Solution or mixture of pumpage	X	X
Potassium Sulfate	10% Solution or mixture of pumpage	X	X
Soaps	120 °F (48.9 °C) Temperature limit	X	
Sodium Bicarbonate	10% Solution or mixture of pumpage	X	X
Sodium Bisulfate	10% Solution or mixture of pumpage	X	X
Sodium Bisulfite		X	X
Sodium Carbonate	10% Solution or mixture of pumpage	X	X
Sodium Chloride	20% Solution or mixture of pumpage	X	X
Sodium Phosphate	10% Solution or mixture of pumpage	X	X
Sodium Silicate	10% Solution or mixture of pumpage	X	X
Sodium Sulfate	10% Solution or mixture of pumpage	X	X
Sodium Sulfide	10% Solution or mixture of pumpage	X	X
Solvasol		X	X
Stearic Acid	70 °F (21.1 °C) Temperature limit		X
Stoddard Solvent	70 °F (21.1 °C) Temperature limit	X	X
Tartaric Acid		X	X
Zinc Sulfate	20% Solution or mixture of pumpage	X	X

